



Air Cooled TrueMold Mold Circulator Model MC75-AC

Item #122211 / Item #122207

INSTRUCTION MANUAL



October 2011
IMS Company
10373 Stafford Road
Chagrin Falls, OH 44023-5296

Telephone: (440) 543-1615
Fax: (440) 543-1069
Email: sales@imscompany.com
Website: www.imscompany.com

TABLE OF CONTENTS

Model	1
Caution.	2
Safety Summary.....	3
Wiring Diagram.....	4
Description of Operation.....	5
MC75 Control Panel.....	6
Installation Instructions	7
Water Pump	9
Maintenance Information - Part I	13
Parts	14
Limited Warranty	15

PLEASE NOTE: We are shipping with this unit, a 20-mesh strainer. This 1” NPT strainer must be installed on the return line when installing this controller, and it will be necessary to clean, depending on the condition of the cooling water.

Please give special attention to the cleanliness of the water you use in this mold controller. See installation instructions on Page 6, paragraph 3. It will help prolong the life of this controller.

SAFETY SUMMARY

DANGER means that you will be killed or injured if you don't take precautions. This is the highest level of warning.

WARNING means you could be killed or injured if you don't take precautions.

CAUTION means you could be slightly injured or equipment could be damaged.

The following general alerts apply to this circulator:

***** DANGER *****

LIVE ELECTRICAL CONTACTS COULD CAUSE DEATH OR SHOCK. Lock out and tag out power before you do service. Only qualified electricians are to do electrical work. Machine must be grounded.

***** WARNING *****

HOT PARTS AND HOT WATER COULD BURN YOU. Avoid contact. Let system cool and vent pressure before you loosen water fittings. Repair leaks immediately.

***** WARNING *****

CHANGES TO MACHINE COULD CAUSE INJURY OR DAMAGE. Modify machine ONLY with engineering approval of IMS Company.

TRUE MOLD CONTROL, WITH A NARROW BAND

DESCRIPTION OF ITS OPERATION

- 1 THE TRUE MOLD CONTROL is designed as a source of high temperature water for controlling the temperature of molding equipment. This system has a stainless steel water reservoir, which is controlled by a narrow band controller that holds the water reservoir to a close temperature tolerance.
 - i) There is an electric heater installed in the water reservoir tank, which provides the heating. The cooling is done by an air-cooled condenser and ambient air is the cooling source for controlling the water temperature. The fan motor that distributes air over the condenser is also controlled by a thermocouple sensing the return water temperature. The temperature of the water is controlled by a thermocouple wire from the controller.
 - ii) The main components of the mold control are: stainless steel water reservoir; water pump; heater element; fan motor; fan blade; cooling condenser; Narrow Brand Solid State Controller.

- 2 Control System: All functions of unit are controlled by a solid-state narrow band controller*. The water pump motor can be started with a switch on the controller. When the water pump is running the temperature of the discharge water will displayed on the controller. The return water has its own temperature display. When the return water is 2⁰ F above the set point the cooler supply water will open allow chilled water to flow through the chilled water heat exchanger. This will cool the water to the mold to the proper temperature.
 - i) The unit has a high temperature cut-out. **If the water temperature goes over 250⁰ F, the controller will cut out the heating element.**
 - ii) There is a low water float installed in the reservoir. **If the water reaches a low level, the float will cut the system out till the reservoir is filled to proper level.**

*There is a rotary OFF, ON & REMOTE switch, which controls the Electrical power to the unit. The REMOTE option is in place should this option be added at a later time.

INSTALLATION

1. Inspect carton that the unit has been shipped in for damage. Report any damage to the carrier. NOTE: Take exception on any unit received when the carton shows any damage. That will help protect you from concealed damage. After inspection remove the carton.

2. Some suggestions on selecting location.
 - ❖ Where the unit has easy excess for continuous observation.
 - ❖ The heat is discharged out the top of the unit by the fan. Do not install with a low ceiling over the unit. Must have 12' of clearance.
 - ❖ The air being discharged is very hot – perhaps up to 250°F. Would cause harm to a person if allowing the air to flow over them.
 - ❖ The discharge and return water lines are also very hot. Take caution and post a warning notice to all employees.
 - ❖ Maintenance should be considered when installing give easy excess to all controls.
 - ❖ Keep unit as close as possible to mold being controlled. And also keep hoses to mold as short as possible to prevent heat loss.

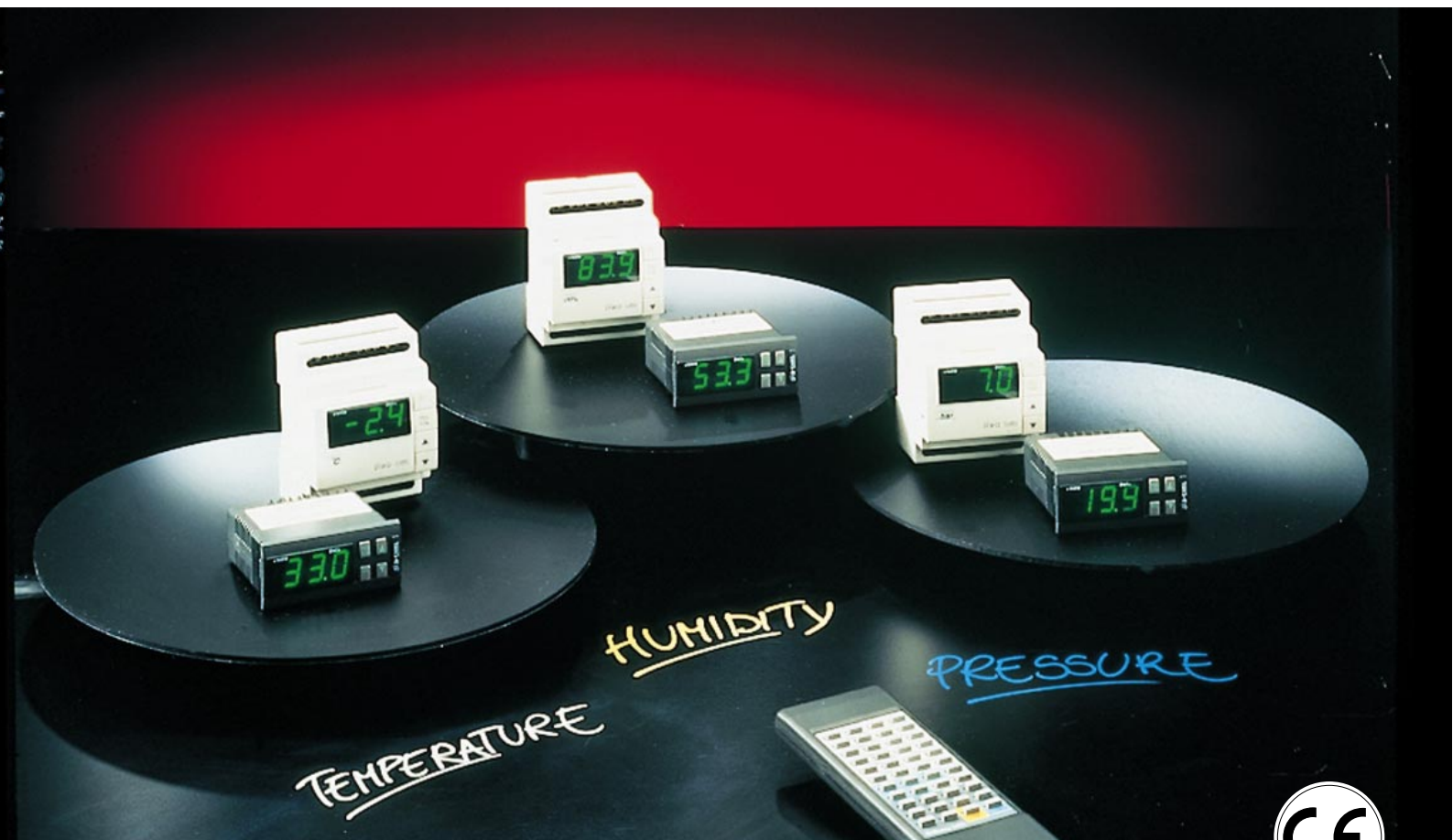
3. **You must fill the water reservoir with clean water.** Please do not use tap water that will cause contamination, like tower water. Your new mold must be contaminate free. **You will affect the heat transfer by filling the reservoir with tap water.** Fill reservoir to level as marked on the glass. The reservoir fill line is on the back of this unit. An overflow fitting in the event you over fill the system, periodically you should flush out the system.

4. Installation of unit:
 - ❖ Connect mold supply line to mold control. Unit is marked, **DISCHARGE & RETURN.** Keep these supply lines full size to unit being temperature controlled. The discharge line is the inlet of hot water to the mold. Return is the water being returned to the mold control.
 - ❖ **The electrical power to the unit must be same as marked on data plate.** Keep wiring to match any electrical code you must meet. **Under sizing the supply lines will harm the unit.**
 - ❖ With the power rotary switch in the "ON" position.

MAINTENANCE - PART I

1. Maintenance to mold controller:
 - Flush out water reservoir as needed. Do not allow this unit to run with dirty supply water.
 - Blow out condenser as needed. **Do not allow this condenser to become clogged.** You will cause poor heat transfer on the cooling cycle.
 - You can remove the condenser coil cover, same as service panel.
 - All motors have internal overload protection. There are no lubrication joints to any motor.
 - All motors have internal overload protection. There are no lubrication joints to any motor.

2. When replacing the heating element. **MAKE SURE** the electrical power supply is turn. Check power with meter.
 - Drain water tank.
 - Remove the electrical leads to the element. **Power must be off.** You should apply some type of lubricant (WD40) to remove these screws.
 - Remove the four 5/16 - 18 stainless steel cap screw. NOTE: You must lubricate (WD40) while removing. **Do not force the nuts off.**
 - Remove element (7.5 KW)
 - Clean the tank surface plate, to make sure you have a clean surface for the gasket.
 - If replacing the heater make sure it is stainless steel on the back up plate.
 - Always use a new gasket.
 - Install gasket on element and put electrical element in place.



Manuale d'uso

User manual

CAREL
Technology & Evolution

Indice

1. Introduzione	1
1.1 Caratteristiche principali	1
1.2 Descrizione del frontale degli strumenti	2
2. Utilizzo degli strumenti della serie Infrared Universale	3
3. Installazione	4
4. Configurazione di fabbrica	5
5. Modi di funzionamento.	6
6. Programmazione	11
6.1 Accesso da tastiera	11
6.2 Modifica del set-point (St1)	11
6.3 Modifica del secondo set-point (St2)	11
6.4 Modifica dei parametri di tipo "P"	11
6.5 Modifica dei parametri di tipo "C"	12
6.6 Parametri "C" per termocoppie, sonde in tensione e in corrente	12
6.7 Come modificare il Modo (parametro C0)	13
6.8 Accesso da telecomando	13
6.9 Modifica parametri da telecomando	15
6.10 Stato della regolazione durante la modifica dei parametri	16
6.11 Validità della modifica parametri	16
6.12 Reset del controllo	16
6.13 Sistemi avanzati di programmazione e supervisione	16
7. Descrizione dei parametri	17
– St1 Set-point principale	17
– St2 Set-point secondario	17
– C0 Modo di funzionamento	18
– P1 Differenziale di St1	18
– P2 Differenziale di St2	19
– P3 Differenziale Zona Neutra	19
– C4 Autorità	19
– C5 P o P+I	20
– C6 Ritardo degli inserimenti di uscite differenti	21
– C7 Tempo minimo tra due accensioni successive	21
– C8 Tempo minimo di spegnimento	22
– C9 Tempo minimo di attivazione	22
– C10 Ritardo delle uscite in caso di allarme sonda (Er0)	23
– C11 Rotazioni	23
– C12 Tempo di ciclo PWM	25
– C13 Tipo di sonda	26
– P14 Calibrazione	26
– C15 Valore minimo per ingressi in corrente e tensione	27
– C16 Valore massimo per ingressi in corrente e tensione	27
– C17 Filtro sonda	28
– C18 Unità di misura per temperatura: "C" o "F"	28
– C19 Seconda sonda NTC	29
– Funzionamento differenziale C19=1	29
– Compensazione C19=2, 3 o 4	31
– C21 Valore minimo ammesso da ST1	34
– C22 Valore massimo ammesso da St1	34
– C23 Valore minimo ammesso da ST2	34
– C24 Valore massimo ammesso da St2	35
– P25 SET Allarme di "Bassa"	35
– P26 SET Allarme di ALTA	35
– P27 Differenziale ALLARME: reset	36
– P28 Ritardo attivazione allarme	38
– C29 Gestione ingresso digitale 1	38
– C29=3 allarme esterno ritardato (ritardo=P28) con Resert Manuale	39
– C29=4 ON/OFF	39
– C30 Gestione ingresso digitale 2	40
– C31 Stato uscite con allarme da ingresso Digitale	40
– C32 Indirizzo seriale	41
– C33 Funzionamento "speciale"	41
– C50 Abilitazione tastiera e/o telecomando	42
– C51 Telecomando: codice abilitazione	42
8. Descrizione funzionamento speciale	43
8.1 Descrizione DIPENDENZA: C34, C38, C42, C46	43

Contents

1. Introduction to the IR Series	1
1.1 Main features	1
1.2 Front panel	2
2. Use of Universal Infrared Instruments	3
3. How to install the controller	4
4. Easy set-up: factory-set configuration	5
5. Advanced set-up: different modes of operation	6
6. Programming the IR controller	11
6.1 Access via keypad	11
6.2 Set-point modification (St1)	11
6.3 Second set-point modification (St2)	11
6.4 Modification of 'P' parameters	11
6.5 Modification of 'C' parameters	12
6.6 'C' parameters for thermocouples, current and voltage sensors	12
6.7 How to modify the mode of operation (parameter C0)	13
6.8 Programming the controller via remote control	13
6.9 How to modify parameters via remote control	15
6.10 Performance of the controller during programming procedures	16
6.11 Confirming the newly set values	16
6.12 Reset of the control	16
6.13 Advanced programming tools and Supervisory systems	16
7. Description of the parameters	17
– St1, main set-point	17
– St2, second set-point	17
– C0 Mode of operating	18
– P1, differential of St1	18
– P2, differential of St2	19
– P3, dead zone	19
– C4, authority	19
– C5, P or P+I	20
– C6, time-delay before energizations of different outputs	21
– C7, minimum time-interval between succ. energizations	21
– C8, minimum disenergization time-interval	22
– C9, minimum energization time-interval	22
– C10, time-delay before sensor alarm (Er0)	23
– C11, rotations	23
– C12, PWM cycle time	25
– C13, type of sensor	26
– P14, calibration	26
– C15, min. value of voltage and current inputs	27
– C16, max. value of voltage and current inputs	27
– C17, sensor response	28
– C18, temperature unit of measure °C/°F	28
– C19, second NTC sensor	29
– C19=1, differential	29
– C19=2,3,4, offse	31
– C21, lower St1 threshold	34
– C22, higher St1 threshold	34
– C23, lower St2 threshold	34
– C24, higher St2 threshold	35
– P25, low temperature set-point	35
– P26, high temperature set-point	35
– P27, alarm differential: reset	36
– P28, time-delay before alarm activation	38
– C29, digital input no. 1	38
– C29=3 Delayed external alarm with manual resert (P28)	39
– C29=4 ON/OFF	39
– C30, digital input no. 2	40
– C31, output status in the event of alarm via digital input	40
– C32, serial address	41
– C33, special mode of operation	41
– C50, operating keypad and/or remote control	42
– C51, remote control: access code	42
8. Special mode of operation	43
8.1 DEPENDENCE: C34, C38, C42, C46	43

8.2	Funzionamento TIMER	44	8.2	TIMER	44
8.3	Descrizione TIPO DI USCITA: C35, C39, C43, C47	44	8.3	TYPE OF OUTPUT: C35, C39, C43, C47	44
8.4	Descrizione INSERZIONE: C36, C40, C44, C48	44	8.4	ENERGIZATION: C36, C40, C44, C48	44
8.5	Descrizione DIFFERENZIALE/LOGICA: C37, C41, C45, C49	46	8.5	DIFFERENTIAL/LOGIC: C37, C41, C45, C49	46
8.6	Note integrative al funzionamento speciale	47	8.6	Further information on the special mode of operation	47
8.7	Suggerimenti per scegliere il Modo di partenza	50	8.7	Hints for choosing the right mode	50
8.8	Esempi di utilizzo del Funzionamento speciale	51	8.8	Some examples about the special mode of operation	51
9.	Lista completa dei parametri	58	9.	Advanced set-up: list of the parameters	58
10.	Ricerca e eliminazione dei guasti (strumento e telecomando)	60	10.	Troubleshooting - Reset of controller and remote control	60
11.	Condizioni di allarme, cause e rimedi	61	11.	Alarm conditions, causes and remedies	61
12.	Moduli opzionali	62	12.	Optional modules	62
12.1	Modulo uscita analogica	62	12.1	Analogue output module - code CONV0/10A0	62
12.2	Modulo ON/OFF	64	12.2	ON/OFF module (code CONV0N0FF0)	64
12.3	Modulo alimentatore/convertitore	66	12.3	Power supply/Converter module (code CONV0/1L00)	66
13.	Caratteristiche tecniche dei modelli serie Infrared universale	68	13.	Technical specifications of Universal Infrared instruments	68
13.1	Caratteristiche tecniche del telecomando	69	13.1	Technical specifications of the remote control	69
14.	Schemi di collegamento	70	14.	Wiring diagrams	70
14.1	Versioni IR32 NTC	70	14.1	IR32 with NTC input	70
14.2	Versioni IR32 non NTC	71	14.2	IR32 with Pt100, J/K tc or V/I input	71
14.3	Versioni IRDR NTC e non NTC	73	14.3	IRDR Versions	73
14.5	Connessione sonde	74	14.4	Sensor connection diagrams	74
Glossario	75		Glossary	75	
Tabella codici dei modelli serie Infrared universale	76		Codes of the Universal Infrared models	76	
Dimensioni	78		Dimensions	78	

1. Introduzione

Gli strumenti della serie Infrared Universale sono stati progettati per il controllo delle principali grandezze fisiche (temperatura, pressione, umidità) in unità di condizionamento, refrigerazione e riscaldamento.

1.1 Caratteristiche principali

Gamma: per soddisfare ogni esigenza di controllo sono a disposizione 41 modelli con diverse uscite e differenti alimentazioni (vedi tabella codici riportata a pagina 76). Inoltre sono disponibili tre moduli opzionali per le versioni D e A in grado di ampliare ulteriormente l'utilizzo degli strumenti.

Flessibilità: sono disponibili modelli con alimentazione 12/24 Vac-dc, 110/240 Vac-dc e 24/240 Vac. Possono essere montati a pannello o su guida DIN.

Collegamento seriale: tutti i controlli sono predisposti al collegamento in rete per la realizzazione di sistemi di supervisione e teleassistenza.

Accessori: a richiesta, è disponibile il telecomando per la programmazione e il comando a distanza dei controlli e, inoltre, dei moduli opzionali.

Omologazioni: la qualità e sicurezza dei controlli Infrared Universali sono garantite dal sistema di progettazione e produzione certificato ISO 9001, nonché dal marchio CE.

Applicazioni: sono molteplici. I controlli sono programmati per il funzionamento "Reverse", ma possono essere facilmente programmati dall'utente per il funzionamento "Direct" o personalizzato.

Nota: per il significato di Reverse e Direct si rimanda al glossario.

1. Introduction to the IR Series

The controllers of the Universal Infrared Series have been specifically designed to control pressure, humidity and temperature in air-conditioning, refrigeration and heating units.

1.1 Main features

Range: *there are 41 models with different outputs and different power supply so as to satisfy any requirement (see table on, page 76). Three optional modules designed to further upgrade the instruments' functions are available for versions A and D.*

Flexibility: *power supply can be 12/24Vac-dc, 110/240Vac-dc and 24/240Vac. The IR range can be panel or DIN Rail mounted.*

Serial Connection: *all IR instruments can be network connected to supervisory and telemaintenance systems.*

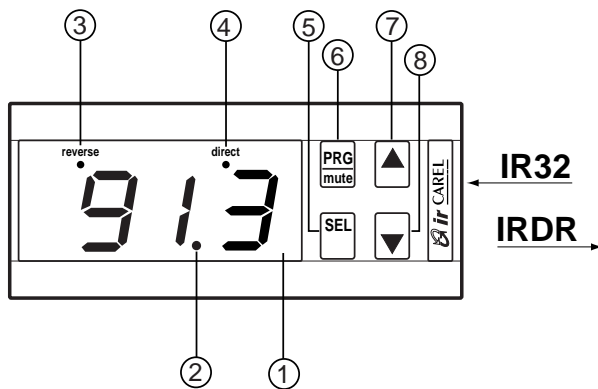
Optional units: *remote control, useful to program and control parameters from a distant point; optional modules.*

Approvals: *the quality and safety of the Infrared controllers is guaranteed by the ISO 9001 design and production system. Furthermore they have been certified by the CE mark.*

Applications: *being extremely versatile, the IR instruments offer plenty of applications. They are programmed to work in the "Reverse" mode but they can be programmed by user to work also in the "Direct" (or customizer) mode*

Note: *for the Reverse and Direct meaning see Glossary at the end of this manual).*

1.2 Descrizione del frontale degli strumenti



1 – Display: visualizza il valore della sonda collegata. In caso di allarme il valore della sonda viene visualizzato alternativamente ai codici degli allarmi attivi. Durante la programmazione mostra i codici dei parametri ed il loro valore.

2 – LED decimale: viene acceso quando la grandezza controllata è visualizzata con la risoluzione del decimo.

3 – LED Reverse: lampeggia quando almeno un relè con funzionamento “Reverse” è attivo. Il numero di lampeggi indica i relè attivi in Reverse. Tra una fase di lampeggio e la successiva il LED rimane spento per 2 secondi.

4 – LED Direct: lampeggia quando è attivo almeno un relè in funzionamento “Direct”. Valgono le altre considerazioni viste per la funzione “Reverse”.

5 – Tasto SEL: visualizza e/o imposta il set point. Se premuto insieme al tasto PRG/MUTE per 5 secondi permette di inserire la password e di accedere ai parametri di configurazione (parametri con codice tipo “Cxx”).

6 – Tasto PRG/Mute: premuto per 5 secondi dà accesso al menù dei parametri di utilizzo più frequente (codice tipo “Pxx”). In caso di allarme tacita il buzzer. Resetta le altre segnalazioni d’allarme se premuto al cessare della causa. Termina la programmazione fissando in memoria i valori dei parametri modificati.

7 – Tasto ▲: incrementa il valore del set-point o di ogni altro parametro selezionato.

8 – Tasto ▼: decrementa il valore del set-point o di ogni altro parametro selezionato. Nelle versioni con ingresso NTC, se premuto quando sul display è visualizzato il valore della sonda, permette la visualizzazione della seconda sonda per il tempo in cui il tasto resta premuto.

Nota: per i codici dei modelli della serie Infrared Universale, fare riferimento alla tabella alla fine del manuale.

1.2 Front panel

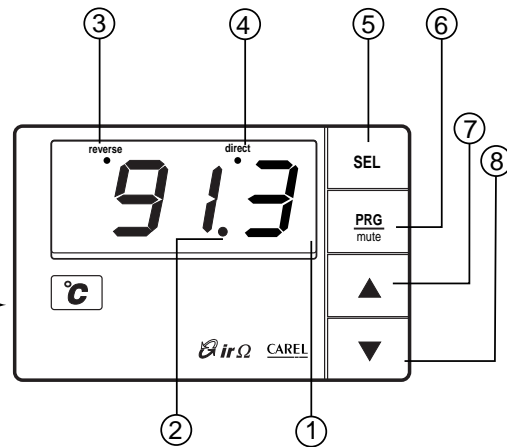


Fig.1

1 – Display: shows the value measured by the connected sensor. In the event of alarm condition the sensor value will be displayed alternately with the codes of the active alarms. When programming the instrument, the display shows the parameter codes being introduced and their values.

2 – Decimal Point LED: lights up when the controlled parameter is displayed.

3 – Reverse LED: flashes when at least one relay working in the “Reverse” mode is active. The Led flashes as many times as the number of active ‘reverse’ relays. There is a two seconds’ pause between a flashing stage and the next one.

4 – Direct LED: flashes when at least one relay working in the “Direct” mode is active. Its working logic is the same as the “Reverse” LED.

5 – SEL Button: displays and/or allows you to select the Set-point. If pressed for 5 seconds together with PRG/MUTE it allows you to enter the password and the configuration parameters (having a “Cxx” type code).

6 – PRG/Mute Button: if pressed for 5 seconds it allows you to access the menu of the more frequently used parameters (having a “Pxx” type code). In the event of alarm condition, it silences the buzzer and, if pressed after the cause that determined the alarm has disappeared, it resets any other alarm. It completes the programming procedure storing all the values of the modified parameters.

7 – Button ▲: increases the value of the set-point or that of any other selected parameter.

8 – Button ▼: decreases the value of the set-point or that of any other selected parameter. In NTC input versions it can display the value of the second sensor (holding “Down” pressed while the display shows the value of the main sensor).

Note: for Infrared Universal, Series models, please refer to the table at the end of the manual

2. Utilizzo degli strumenti della serie Infrared Universale

Gli strumenti della serie Infrared Universale sono estremamente flessibili e permettono di ottenere prestazioni elevate. Esistono tre tipologie di parametri di programmazione del controllo:

1. "set-point";
2. parametri di tipo "P", o parametri di uso frequente;
3. parametri di tipo "C" per la configurazione personalizzata del controllo.

A seconda dell'utilizzo, si possono infatti presentare le seguenti situazioni:

1) Lo strumento viene utilizzato con l'impostazione prevista in fabbrica (vedi cap. 4).

In tal caso sarà sufficiente verificare ed eventualmente modificare il set-point e i parametri P.

Nota: nei modelli con ingresso in corrente, tensione o per termocoppia J potrà essere necessario modificare anche alcuni parametri di configurazione. Si veda la descrizione dei parametri C13, C15, C16 e C19.

2) Lo strumento è destinato ad utilizzi diversi da quelli previsti in fabbrica (vedi cap. 5).

In questo caso la prima operazione da fare è scegliere il **Modo di funzionamento** adatto all'utilizzo. Ciò è possibile modificando un solo parametro di configurazione: il parametro C0. Il parametro C0 può assumere 9 diversi valori, ad ognuno corrisponde un particolare **Modo di funzionamento**. Scelto il **Modo di funzionamento** adeguato alla propria applicazione si potrà poi eventualmente modificare il Set point e i parametri P.

3) Nel caso di applicazioni particolari, può essere necessario modificare anche gli altri parametri di configurazione. Si può, ad esempio, programmare il funzionamento degli ingressi digitali (parametri C29, C30) e definire le tempistiche di attivazione delle uscite (parametri C6, C7, C8, C9). Nei modelli con ingresso NTC è possibile utilizzare una seconda sonda per il funzionamento "differenziale" o in "compensazione". È addirittura possibile personalizzare il **Modo di funzionamento** (si veda il parametro C33 a pag. 41) creando nuovi "Modi" adattando o modificando uno dei 9 modi previsti dal parametro C0.

2. Use of Universal Infrared Instruments

The Infrared instruments are extremely versatile, flexible controllers providing excellent performance. There are three types of programming parameters:

1. "set-point";
2. type "P" parameters, that is frequently used parameters;
3. type "C" parameters, useful to get a customized configuration of the instrument.

Consequently the IR can be used as follows:

1) with the factory-set configuration (see chapter 4).

It is enough to check and, if necessary, modify set-point and P parameters.

Note: in current/voltage input models or thermocouples J, it may be necessary to modify some C parameters (see description of parameters C13, C15, C16 and C19).

2) the instrument is intended for uses requiring a different configuration (see chapter 5).

First of all choose the suitable **mode of operation** of the IR by simply modifying the C0 configuration parameter. C0 can be given 9 different values corresponding to 9 different **operating modes**. Then, if necessary, modify set-point and P parameters according to your application requirements.

3) Special configurations may require the modification of some other configuration parameters. For example, you can program the operating mode of the digital inputs (parameters C29 and C30) and set output energization times (param. C6, C7, C8, C9). Models with NTC input can be connected to a second sensor so as to control the instrument in a "differential" or "compensating" mode. The **Mode of Operation** itself can be customized (see C33, page 41) thus creating new modes by modifying one of the 9 modes allowable by the parameter C0.

3. Installazione

Per l'installazione del controllo procedere come indicato di seguito, tenedo presente gli schemi di collegamento riportati alla fine del manuale.

1) collegare sonde ed alimentazione: le sonde possono essere remotate fino ad una distanza massima di 100 metri dal controllo purché si usino cavi con sezione minima di 1 mm², possibilmente schermati. Per migliorare l'immunità ai disturbi si consiglia di usare sonde con cavo schermato (collegare un solo estremo dello schermo alla terra del quadro elettrico). Nel caso si utilizzino termocoppie è obbligatorio usare cavo compensato con schermo per avere una corretta immunità ai disturbi; le termocoppie possono essere prolungate solo usando oltre ai cavi compensati anche eventuali connettori compensati (per i codici vedi listino Carel).

2) Programmare lo strumento: per una descrizione più approfondita vedere il capitolo "Programmazione" a pag. 11.

3) Collegare gli attuatori: è preferibile collegare gli attuatori solo dopo aver programmato il controllo. Al riguardo si raccomanda di valutare attentamente le portate massime dei relè indicate nelle "caratteristiche tecniche" (pag. 68).

4) Collegamento in rete seriale: se è previsto l'allacciamento alla rete di supervisione tramite le apposite schede seriali (IR32SER per i modelli IR32 e IRDRSER per i modelli IRDR) è necessario curare la messa a terra del sistema. In particolare non dovrà essere collegato a terra il secondario dei trasformatori che alimentano gli strumenti. Nel caso sia necessario collegarsi ad un trasformatore con secondario a terra, dovrà essere interposto un trasformatore di isolamento. È possibile collegare più strumenti allo stesso trasformatore di isolamento, tuttavia è consigliabile utilizzare un trasformatore di isolamento per ogni strumento.

Avvertenze:

Evitare comunque l'installazione dei controlli in ambienti con le seguenti caratteristiche:

- umidità relativa maggiore dell'90% o condensante;
- forti vibrazioni o urti;
- esposizioni a continui getti d'acqua;
- esposizione ad atmosfere aggressive ed inquinanti (es: gas solforici e ammoniacali, nebbie saline, fumi) per evitare corrosione e/o ossidazione;
- alte interferenze magnetiche e/o radiofrequenze (evitare quindi l'installazione delle macchine vicino ad antenne trasmettenti);
- esposizioni dei controlli all'irraggiamento solare diretto e agli agenti atmosferici in genere.

Nel **collegamento** dei regolatori:

- utilizzare capicorda adatti per i morsetti in uso;
- allentare ciascuna vite ed inserirvi i capicorda, quindi serrare le viti. Ad operazione ultimata tirare leggermente i cavi per verificarne il corretto serraggio;
- separare quanto più possibile i cavi delle sonde e degli ingressi digitali dai cavi dei carichi induttivi e di potenza per evitare possibili disturbi elettromagnetici;
- non inserire mai nelle stesse canaline (comprese quelle dei quadri elettrici) cavi di potenza e cavi sonde;
- evitare inoltre che i cavi delle sonde siano installati nelle immediate vicinanze di dispositivi di potenza (contattori, interruttori magnetotermici, ecc.);
- evitare di alimentare il controllo direttamente con l'alimentazione generale del quadro qualora l'alimentatore debba alimentare diversi dispositivi, quali contattori, elettrovalvole, ecc.: i quali necessiteranno di un altro trasformatore.

Attenzione: il non corretto allacciamento della tensione di alimentazione può danneggiare seriamente il sistema. Predispone sull'unità tutti i dispositivi elettromeccanici di sicurezza utili per garantire la sicurezza dell'impianto.

3. How to install the controller

To install the controller follows these indications and respect the connection diagram as indicated at the end of this manual.

1) Connect sensors and power supply: sensors can be located up to 100 meters distant from the controller provided that you use cables with 1mm² min. dia., better if shielded. To improve immunity against noises we recommend using sensors with shielded cables (connect just one end of the shielding to the earth of the electrical panel). When using thermocouples it is compulsory to use compensated shielded cables to ensure protection against noises. Thermocouples can be used with an extension lead provided that you use compensated cables and connectors (for models and codes see Carel price list).

2) Program the instrument: see chapter "Programming the instrument" on page 11.

3) Connect all devices: connect the other devices after you have programmed the controller. Please check relays power as indicated in the "Technical characteristic" table on page 68.

4) Link up the IR to serial network: if the IR controller is to be linked up to a supervisory network through the dedicated serial boards (IR32SER for IR32 models and IRDRSER for IRDR models), it is necessary to pay attention to the earthing of the system. In particular the secondary of the transformers which feed the instruments **MUST NOT** be earthed. Should you need to connect the IR to a transformer whose secondary is earthed, it is necessary to add an isolating transformer. It is possible to connect several instruments to the same isolating transformer but we suggest using as many isolating transformers as the number of instruments.

Important:

Avoid installation in places with the following features:

- relative humidity higher than 90% or condensing;
- heavy vibrations or shocks;
- exposure to continuous jets of water;
- exposure to aggressive and polluting environments (e.g.: sulphurous and ammoniacal gases, saline mist, smoke) to avoid corrosion and/or oxidation;
- high magnetic and/or radio interferences (avoid installation near transmitter aerials);
- exposure of controllers to direct solar radiation and to atmospheric agents in general.

When **connecting** the regulators follow these instructions:

- use appropriate cable-terminals (suitable to the terminals used);
- slacken each screw and insert the wire terminals, then tighten the screws again and check by slightly pulling the cables;
- keep separate the cables of the sensors and digital inputs from the inductive and power cables, to avoid any electromagnetic interference;
- never put power cables and sensor cables in the same channel;
- avoid installing sensor cables near power devices (magnetothermic switches or others);
- do not power the controller to the general power source of the electrical panel when it has to power several devices (electrovalves, contactors, etc.).

Important: the uncorrect connection to the power source could damage the system.

It is necessary to add to the unit the electromechanical devices to guarantee the safety of the system.

4. Configurazione di fabbrica

I regolatori della serie Infrared vengono forniti già programmati con impostato il funzionamento Reverse (vedi glossario), che permette il loro utilizzo in diverse applicazioni, a seconda della sonda collegata. I regolatori possono essere collegati a:

sonde di temperatura (NTC, Pt100, termocoppie): controllo di forni, bruciatori, impianti di riscaldamento in genere;

sonde di umidità: controllo di umidificatori e umidificazione in genere;

sonde di pressione: controllo evaporatori e in genere di contrasto alle basse pressioni.

I **valori di fabbrica** del set e degli altri parametri sono:

4. Easy set-up: factory-set configuration

The IR controller is supplied ready for use in the "Reverse" operation mode. The applications available are numerous and vary according to the type of sensor connected to the instrument:

models with temperature sensors (NTC, Pt100, Thermocouples): control of ovens, burners, heating systems;

models with humidity sensors: control of humidifiers and humidification processes;

models with pressure sensors: control of evaporators and in general low pressure alarms.

Factory-set values:

It is always possible, however, to modify the factory-set configuration so as to make your instrument fulfil your specific application requirements.

Parametro Parameter	Codice Code	Valore di fabbrica Factory-set value	Campo Range
Set-point <i>Set-point</i>	St1	20.0	limite sonda <i>sensor limit</i>
Differenziale <i>Differential</i>	P1	2.0	0.1/99.9
Calibrazione sonda <i>Sensor calibration</i>	P14	0.0	-99/+99
Allarme di bassa <i>Lower limit alarm</i>	P25	limite inferiore sonda <i>sensor lower limit</i>	-99 / P26
Allarme di alta <i>Higher limit alarm</i>	P26	limite superiore sonda <i>sensor higher limit</i>	P25/999
Differenziale allarme <i>Alarm Differential</i>	P27	2.0	0.1/99.9
Ritardo allarme <i>Alarm Delay</i>	P28	60 minuti <i>60 minutes</i>	0/120 min.

5. I Modi di funzionamento

Prima di analizzare in dettaglio i singoli parametri è necessario descrivere i nove **Modi di funzionamento** previsti, ai quali si accede tramite il parametro C0. L'impostazione dello strumento mediante i modi di funzionamento rappresenta infatti una funzionalità innovativa in strumenti di questo livello di prezzo. Inoltre la scelta del Modo di funzionamento corretto è la prima azione da compiere nel caso in cui la configurazione di fabbrica, ovvero il funzionamento reverse, non sia adatto alla propria applicazione.

Modo 1: funzionamento Direct CO=1

Parametri fondamentali:

- set-point (St1);
- differenziale (P1).

Nel funzionamento Direct il regolatore opera un'azione di contenimento qualora la grandezza regolata sia superiore al valore di set-point. Fissato il punto di lavoro desiderato (St1), le uscite sono attivate una alla volta man mano che la grandezza supera St1. I relè presenti nei modelli con più uscite sono distribuiti equamente all'interno dell'unico differenziale impostato. Quando la grandezza controllata è uguale o superiore a St1+P1 tutte le uscite sono attive. Viceversa, se la grandezza, partendo da valori superiori a St1, inizia a diminuire, eventuali relè attivi vengono spenti man mano che ci si avvicina a St1. Al valore St1 tutte le uscite sono spente. Il LED Direct lampeggia solo se ci sono uscite attive ed il numero di impulsi è pari ai relè inseriti.

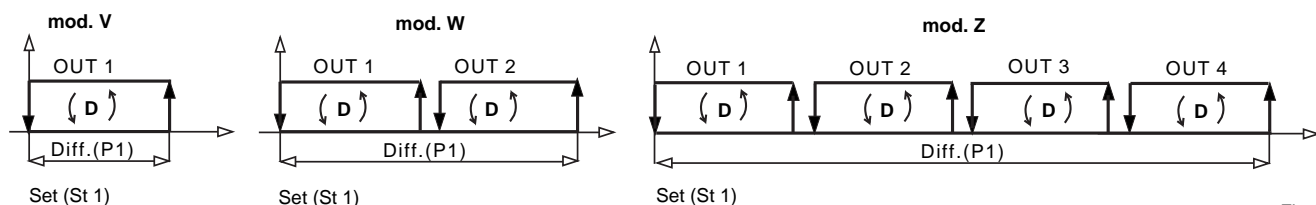


Fig.2

Modo 2: funzionamento Reverse CO=2

È il Modo predefinito in fabbrica. I parametri fondamentali di questo tipo di funzionamento sono il set point (St1) e il differenziale (P1).

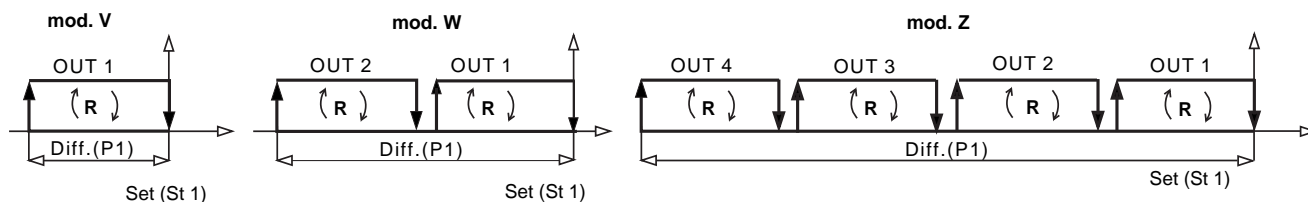


Fig.3

Fissato il punto di lavoro desiderato (St1), le uscite vengono attivate una alla volta man mano che la grandezza diminuisce a valori inferiori di St1. Nei modelli a più uscite l'attivazione dei relè è equamente distribuita all'interno del differenziale (vedi figura 3).

Quando la grandezza controllata è inferiore o uguale a St1-P1 tutte le uscite sono attive. Se la grandezza, partendo da valori inferiori a St1, inizia ad aumentare, eventuali relè attivi vengono spenti man mano che ci si avvicina a St1. Al valore St1 tutte le uscite sono spente. Il LED Reverse lampeggia con un numero di impulsi pari alle uscite attive.

5. Modes of operation

Before examining each single parameter, here is a description of each of the nine **modes of operation** that can be set through C0. Such a function is highly innovative for instruments in this price bracket. Setting the suitable mode of operation is the most important operation you should do when the factory-set configuration does not suit your needs.

Mode 1: DIRECT control action, C0=1

Main parameters:

- set-point (St1);
- differential (P1).

In the Direct operation mode the controller reduces the value of the controlled parameter when it goes beyond the set-point range. Once the set-point has been set (St1) the outputs will be energized one by one as the parameter increase St1. The relays in the models with more outputs are equally distributed within the selected differential. When the controlled value is equal to/higher than St1+P1 all outputs will energize. Vice-versa, when the controlled value starts to decrease, any energized relay will be disenergized as the value approaches St1. When the St1 value is reached, all outputs will disenergize. The Direct LED will flash only in the event of energized outputs; the number of flashings will correspond to the number of relays.

Mode 2: REVERSE mode C0=2

This is the factory-set mode. The main parameters are set-point (St1) and differential (P1).

The outputs will be energized one by one as the controlled parameter decreases from the previously selected set-point (St1). In models with more outputs the energization of the relays will occur within the differential (see fig. 3).

When the controlled variable is less or equal to St1-P1, all the outputs are energized. When the controlled variable below the set-point begins to increase its value, the energized relays will gradually disenergize as the value approaches St1. When the variable reaches the set-point value, all outputs will disenergize. The Reverse LED will flash; the number of flashings will correspond to the number of energized outputs.

Modo 3: funzionamento ZONA NEUTRA CO=3

Parametri fondamentali:

- set-point (St1);
- differenziale dell'azione Reverse (P1);
- differenziale dell'azione Direct (P2);
- ZONA NEUTRA (P3).

Lo scopo del regolatore è di portare la grandezza misurata all'interno di un intervallo a cavallo del set-point (St1), detto zona morta. L'estensione della zona morta dipende dal valore del parametro P3. All'interno della zona morta lo strumento non richiede l'intervento di alcun dispositivo. Al di fuori della zona morta lo strumento lavora in Modo Direct quando la grandezza controllata aumenta e in Modo Reverse quando diminuisce. A seconda del modello usato, possono esserci uno o più relè nei funzionamenti Direct e Reverse. Tali uscite sono attivate o spente una alla volta secondo le modalità già viste nei modi 1 e 2, in conformità ai valori assunti dalla grandezza controllata, dal valore St1, da P1 e da P2. Il LED Direct e il LED Reverse lampeggiano con le modalità già viste nel paragrafo "descrizione del frontale degli strumenti" a pag.1.

Attenzione: quando lo strumento è fornito di un'unica uscita a relè, essa funziona in Modo Reverse con ZONA NEUTRA.

Mode 3: Dead-Zone mode C0=3

Main parameters:

- set-point (St1);
- differential of the reverse mode (P1);
- differential of the direct mode (P2);
- Dead-zone (P3).

The controller aims at bringing the controlled variable within a limited range, called dead zone, set around the Set-point (St1). As shown in the graph below, the dead zone value depends on the value given to P3. No devices will be actuated within the dead zone. Beyond the dead zone the controller works in the Direct Mode when the controlled variable increases and in the Reverse Mode when it decreases its value. Depending on the model, there can be one or more relays. The outputs will energize or disenergize as described above in mode 1 and 2, depending on the value of the controlled variable, of St1, P1 and P2. The Direct and Reverse LEDs will flash as described on page 1.

Important: when the instrument has only one relay output, it will work in the Reverse mode with dead zone.

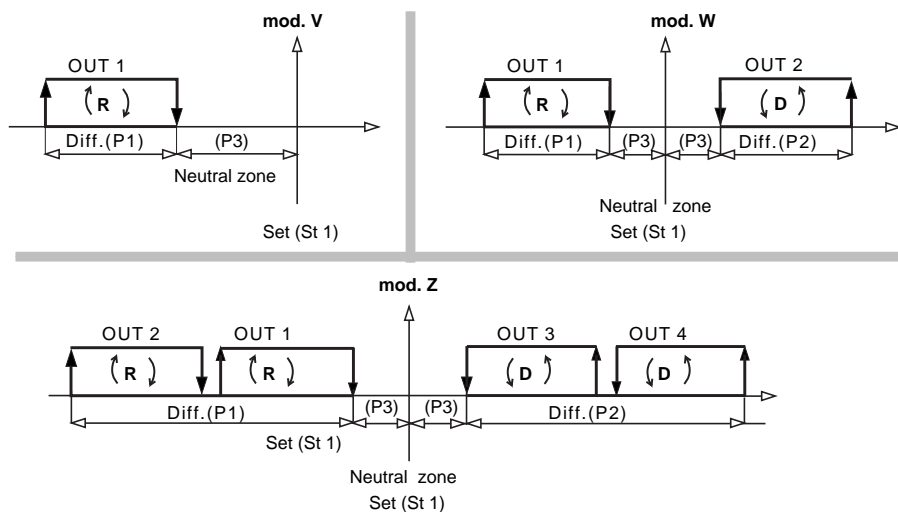


Fig.4

Modo 4: funzionamento PWM CO=4

Parametri fondamentali:

- set-point (St1);
- differenziale dell'azione Reverse (P1);
- differenziale dell'azione Direct (P2);
- ZONA NEUTRA (P3).

La logica di regolazione del Modo 4 è la stessa già vista per il Modo 3. È un funzionamento con ZONA NEUTRA con la sola particolarità che i relè vengono attivati in modo impulsivo in base alla procedura PWM (Pulse Width Modulation, modulazione della larghezza d'impulso). Ogni singolo relè è attivato in un periodo di 20 secondi (periodo eventualmente modificabile tramite il parametro C12, vedi pagina 14) per un tempo variabile calcolato in percentuale; il tempo di ON del relè è proporzionale alla posizione occupata dalla grandezza controllata all'interno del differenziale. Per scostamenti contenuti, l'uscita si attiverà per un tempo breve. Al superamento del differenziale, il relè sarà sempre inserito (100% ON). Il funzionamento PWM permette quindi di inserire in modo "proporzionale" attuatori con funzionamento tipicamente ON/OFF (es. resistenze di riscaldamento) per migliorare il controllo della grandezza regolata. Il funzionamento PWM può essere impiegato anche per ottenere un segnale modulante di comando di tipo 0/10 V o 4/20 mA utilizzando la versione IR con uscite per il comando di relè a stato solido (A, D), disponendo della relativa opzione per convertire il segnale (capitolo 12.1). Nel funzionamento PWM i LED Direct/Reverse lampeggiano

Mode 4: PWM mode, C0=4

Main parameters:

- set-point (St1);
- differential of the reverse mode (P1);
- differential of the direct mode (P2);
- DEAD ZONE (P3).

The operation logic is the same as in Mode 3. The instrument, in fact, bases its action on the dead zone; the relays energize according to the PWM (Pulse Width Modulation) procedure. In practice, each single relay energizes in a period of 20 seconds (this time-delay can be modified through C12, see page 14) from a time (calculated in percentage). The relay energization is proportional to the position of the controlled variable within the differential. For slight deviations from the set value, the output will energize for a short time. When the value exceeds the differential, the relay will remain energized (100% ON). The PWM mode allows your instrument to energize devices whose mode is typically ON/OFF in a proportional way (e.g. heaters). The PWM mode can be used to get a modulating signal 0/10V or 4/20mA (IR models equipped with outputs for Solid State Relay (A, D) and dedicated optional converter, see chapter 12.1). When in the PWM mode, the Direct/Reverse LEDs will flash; the number of flashings will correspond to the number of energized outputs. If the controller has only one relay, it will work in the Reverse mode with DEAD ZONE.

con un numero di impulsi pari al numero di uscite (impulsive) attive. Quando lo strumento è fornito di un solo relè, essa funziona in modo Reverse con ZONA NEUTRA.

Attenzione: è assolutamente sconsigliato l'utilizzo PWM con compressori o altri attuatori la cui affidabilità può risentire di inserimenti/spengimenti troppo ravvicinati. In ogni caso si consiglia di non ridurre a valori minimi il parametro C12, per non compromettere la durata dei relè (calcolata in circa 1 milione di attivazioni).

Important: do not use the PWM mode with compressors or devices requiring frequent On/Off routines. Do not give C12 a minimum value because this might compromise the relays life (about 1 million pulses).

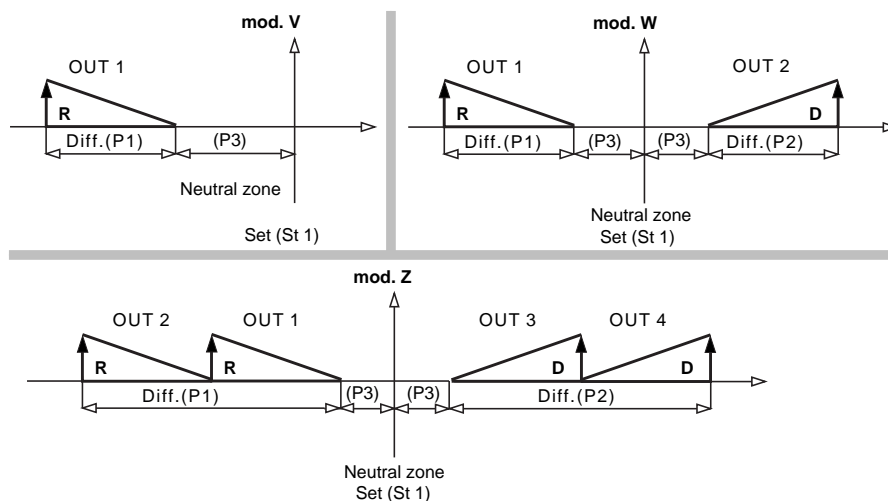


Fig.5

Modo 5: funzionamento "ALLARME" CO=5

Parametri fondamentali:

- set-point (St1);
- differenziale dell'azione Reverse (P1);
- differenziale dell'azione Direct (P2);
- ZONA NEUTRA (P3);
- set dell'allarme di "Bassa" (P25);
- set dell'allarme di "Alta" (P26);
- differenziale dell'allarme (P27);
- tempo di ritardo dell'attuazione dell'allarme (P28).

Con il Modo 5 uno o più relè vengono attivati per segnalare la presenza di un allarme generico (sonda scollegata o in corto, funzionamento anomalo dell'elettronica) o un allarme di "Alta" o "Bassa". Nelle versioni V e W è previsto un unico relè d'allarme, nella versione Z due: viene attivato il relè 3 per gli allarmi generici e per l'allarme di "Bassa", mentre il relè 4 viene attivato per gli allarmi generici e per l'allarme di "Alta". L'attivazione del relè di allarme si somma alle usuali segnalazioni attive con gli altri modi di funzionamento ovvero codice di allarme sul display e segnale acustico (nelle versioni provviste di buzzer). Nel caso delle versioni W e Z, i relè non utilizzati per la segnalazione degli allarmi sono dedicati alla regolazione nei diagrammi sottostanti.

Mode 5: Alarm mode CO=5

Main parameters:

- set-point (St1);
- differential of the reverse mode (P1);
- differential of the direct mode (P2);
- DEAD ZONE (P3);
- set of the lower limit alarm (P25);
- set of the higher limit alarm (P26);
- alarm differential (P27);
- alarm time delays (P28).

In this mode one or more relays energize as soon as there is a generic alarm condition (disconnected or short-circuited sensor, faulty electronics, etc.) or a specific High or Low alarm condition. In versions V and W there is only one alarm relay, version Z has two: relay no. 3 for generic and low alarm conditions, relay no. 4 for generic and high alarms. In addition to the energization of the relay, the controller displays the alarm code and makes the buzzer sound (in models equipped with acoustic signal). In models W and Z, the relays not used to indicate alarm conditions are dedicated to the regulation as described above for Mode 3 (see Fig.6).

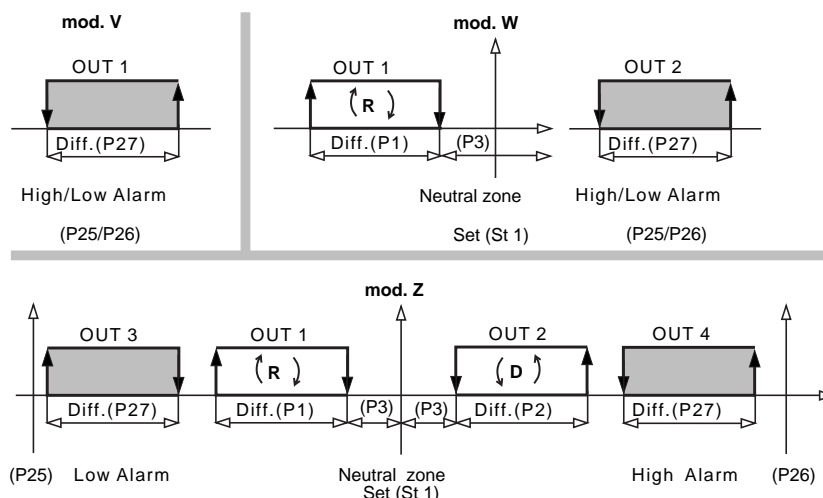


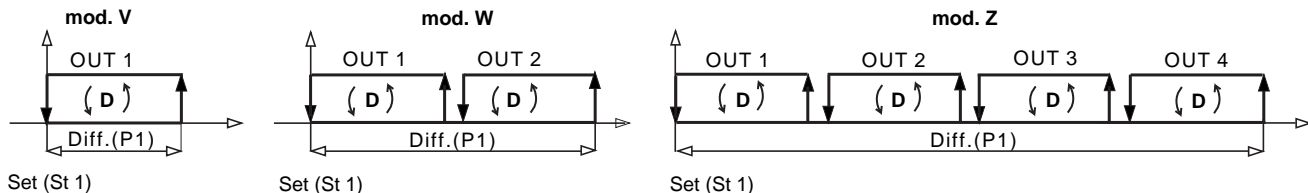
Fig.6

Modo 6: commutazione Direct/Reverse da ingresso digitale CO=6

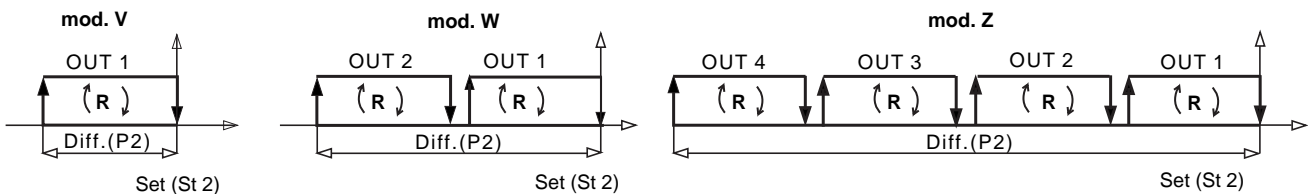
Parametri fondamentali:

- set-point 1 (St1);
- differenziale di St1 (P1) dell'azione Direct;
- set-point 2 (St2);
- differenziale di St2 (P2) dell'azione Reverse.

Lo strumento commuta dal funzionamento Direct a quello Reverse (vedi Modo 1 e Modo 2) in funzione dello stato dell'ingresso digitale 1. Più precisamente si ha: funzionamento Direct riferito a St1 quando l'ingresso digitale è aperto, funzionamento Reverse riferito a St2 quando è chiuso.



INGRESSO DIGITALE APERTO/ DIGITAL INPUT OPEN



INGRESSO DIGITALE CHIUSO/ DIGITAL INPUT CLOSED

Fig.7

Modo 7: funzionamento Direct con commutazione di set e differenziale da ingresso digitale CO=7

Parametri fondamentali:

- set (St1);
- differenziale di St1 (P1);
- set (St2);
- differenziale di St2 (P2).

Con questo Modo la variazione di stato dell'ingresso digitale 1 (aperto/chiuso) non cambia il tipo di azione (sempre Direct) ma cambia il set-point ed il differenziale. La regolazione è basata su St1 e il differenziale P1 attivi quando l'ingresso digitale è aperto e su St2 e il differenziale P2 quando l'ingresso digitale è chiuso.

Mode 6: Direct/Reverse selection from digital input

Main parameter:

- set-point 1 (St1);
- differential of St1 (P1), direct mode;
- set-point 2 (St2);
- differential of St2 (P2), reverse mode.

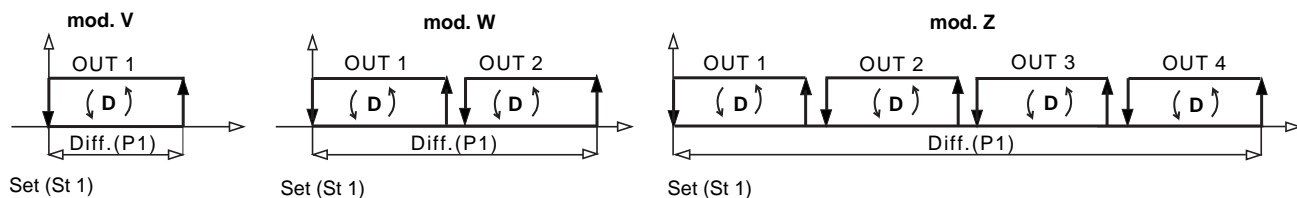
The instrument changes from Direct to Reverse (see Mode 1 and Mode 2) according to the condition of the digital input no. 1. More precisely: direct mode (St1) when digital input 1 is open; reverse mode (St2) when digital input 1 is closed.

Mode 7: Direct mode with change of Set and differential via digital input, CO=7

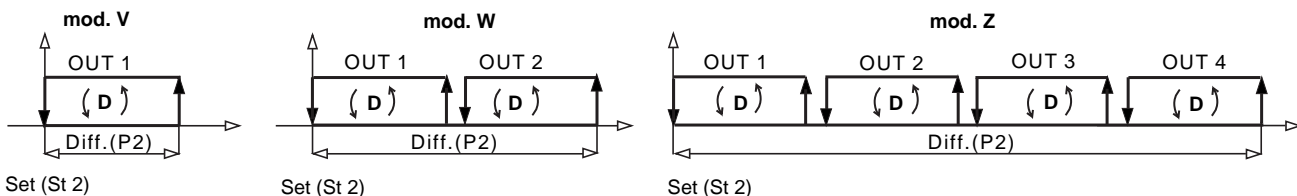
Main parameters:

- set-point (St1);
- differential (P1);
- set-point (St2);
- differential (P2).

When CO=7 any variation of digital input no. 1 (open/closed) does not change the mode (that remains always Direct) but changes both set-point and differential. The regulation is based on St1 and P1 which operate when the digital input is open and on St2 and P2 which operate when the digital input is closed.



INGRESSO DIGITALE APERTO/ DIGITAL INPUT OPEN



INGRESSO DIGITALE CHIUSO/ DIGITAL INPUT CLOSED

Fig.8

Modo 8: funzionamento Reverse con commutazione di set e differenziale da ingresso digitale CO=8

Parametri fondamentali:

- set-point (St1);
- differenziale (P1).

Con questo Modo la variazione di stato dell'ingresso digitale 1 (aperto/chiuso) non cambia il tipo di azione (sempre Reverse) ma cambia il set ed il differenziale.

La regolazione è basata su St1 e il differenziale P1 quando l'ingresso digitale è aperto ed St2 e il differenziale P2 quando l'ingresso digitale è chiuso.

Mode 8: Reverse mode with set-point and differential change via digital input, CO=8

Main parameters:

- set-point (St1);
- differential (P1).

When CO=8 any variation of digital input no.1 (open/closed) does not change the mode (that remains always Reverse) but changes both set-point and differential.

Regulation is based on St1 and P1 which operate when the digital input is open; St2 and P2 which operate when the digital input is closed.

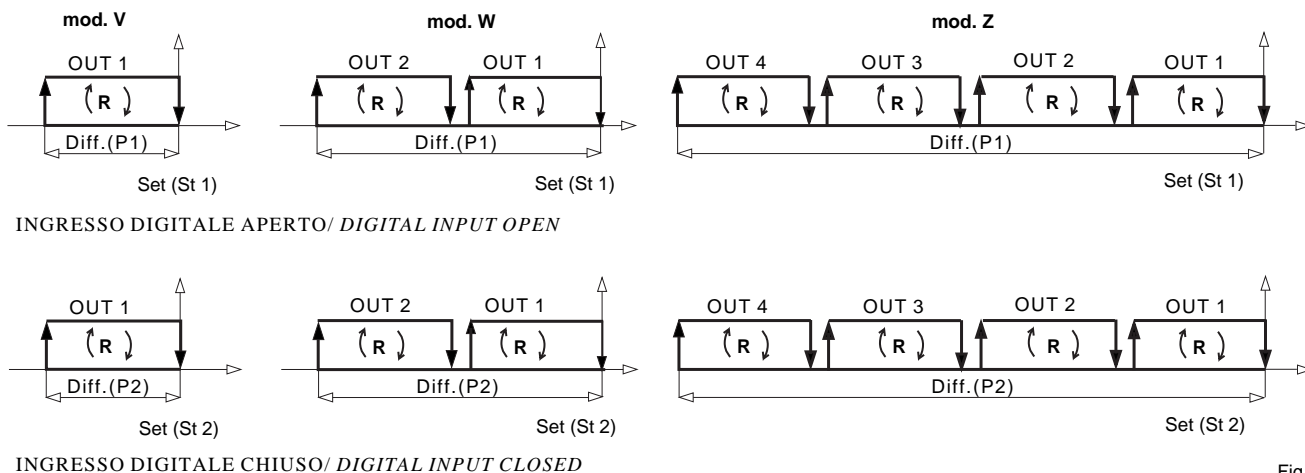


Fig.9

Modo 9: funzionamento con 2 set-point, uno in Direct e uno in Reverse CO=9

Parametri fondamentali:

- set-point 1 (St1);
- differenziale di St1 (P1) dell'azione Reverse;
- set-point 2 (St2);
- differenziale di St2 (P2) dell'azione Direct.

Questo Modo, operativo solo nelle versioni W e Z è simile al Modo 3 (funzionamento con zona neutra), in quanto metà uscite sono attive in Direct e metà in Reverse.

La sua particolarità è che non esiste alcun vincolo nel posizionamento dei set-point delle due azioni, per cui si può operare come se si avessero due strumenti indipendenti che lavorano con la stessa sonda.

Mode 9: 2 set-points, one in Direct and one in Reverse, CO=9

Main parameters:

- set-point 1 (St1);
- differential of St1 (P1), reverse mode;
- set-point 2 (St2);
- differential of St2 (P2), direct mode.

CO can be set as 9 only in models W and Z. This mode is similar to mode 3 (dead zone control action) as half of the outputs energize in Direct and half in Reverse.

In this mode there is no compulsory positioning of the set-point. Therefore it is as if you had two independent instruments working with the same sensor.

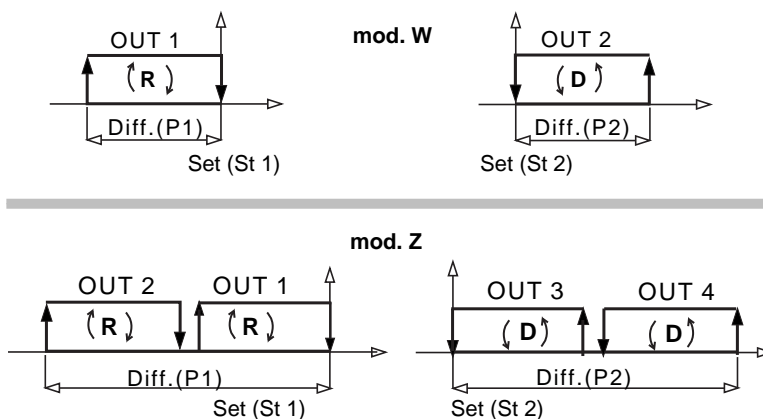


Fig.10

6. Programmazione

I parametri di programmazione del controllo, che abbiamo suddiviso in tre tipologie, (1. "set-point"; 2. parametri di tipo "P", o parametri di uso frequente; 3. parametri di tipo "C" per la configurazione personalizzata del controllo), possono essere modificati mediante tastiera o telecomando.

6.1 Accesso da tastiera

Per i set-point l'accesso è diretto premendo il tasto SEL; per modificare i parametri "P" è necessario premere il tasto PRG per 5 secondi; tutti i parametri di "TIPO C" sono invece protetti da password: con password = 22 è possibile accedere e modificare i parametri C0 e C13,15,16 oltre a tutti i parametri di tipo "P"; con password = 77 è possibile accedere e modificare tutti i parametri del controllo. Vediamo ora in dettaglio le procedure di modifica.

6.2 Modifica del set-point (St1)

Per modificare il set-point (valore previsto in fabbrica St1=20):

- premere il tasto "SEL" per qualche secondo: a display compare St1;
- rilasciare il tasto "SEL": a display lampeggia il valore attuale del set-point;
- premere i tasti ▲ o ▼ per raggiungere il valore desiderato;
- premere "SEL" per confermare il nuovo valore di St1.

6.3 Modifica del secondo set-point (St2)

Nei modi di funzionamento 6, 7, 8 e 9 lo strumento lavora con due set-point. Per modificare entrambi i set-point:

- premere il tasto "SEL" per qualche secondo: a display compare St1;
- rilasciare il tasto "SEL": a display lampeggia il valore attuale del set-point 1;
- premere i tasti ▲ o ▼ fino a raggiungere il valore desiderato di St1;
- premere "SEL" per confermare il nuovo valore di St1;
- dopo aver confermato St1 lo strumento visualizza a display il codice St2 per qualche secondo, dopodiché compare lampeggiante il valore attuale di St2;
- premere i tasti ▲ o ▼ fino a raggiungere il valore desiderato;
- premere il tasto "SEL" per confermare il dato St2;
- a display riappare il valore rilevato dalla sonda principale.

6.4 Modifica dei parametri di tipo "P"

Per modificare il differenziale (valore previsto in fabbrica P1=2) e gli altri parametri "P":

- premere il tasto "PRG" per 5 secondi: a display compare "P1";
- premere il tasto ▲ o ▼ fino a visualizzare il parametro da modificare;
- premere il tasto "SEL": a display compare il valore attuale del parametro;
- premere ▲ o ▼ fino a raggiungere il valore desiderato;
- premere "SEL" per confermare il dato;
- a display compare il codice per identificare il param. modificato;
- ripetere le operazioni dal punto b) ad f), se si vogliono modificare altri parametri, altrimenti passare al punto h);
- premere "PRG" per memorizzare i dati modificati e ritornare al funzionamento normale.

6. Programming

All programming parameters (1. 'set-point'; 2. "P" parameters, that is frequently used parameters; 3. "C" parameters to get customized configurations) can be modified via keypad or remote control.

6.1 Access via keypad

The set-points can be directly displayed by pressing SEL. In order to modify "P" parameters hold down PRG for 5 seconds. All "C" parameters are protected by a password (when password = 22 you can enter and modify parameters C0, C13, 15 and 16 in addition to all "P" parameters; if password = 77 you can enter and modify all parameters).

6.2 Set-point modification (St1)

To modify the factory-set set-point (St1=20) follow these instructions:

- hold down "SEL" for a few seconds; the display shows St1;
- release "SEL"; the factory-set value flashes on the display;
- press ▲ or ▼ until you reach the desired value;
- press "SEL" to confirm the new St1 value.

6.3 Second set-point modification (St2)

In operating modes 6, 7, 8 and 9 the controller requires two set-points. To modify both of them:

- hold down "SEL" for a few seconds; the display shows St1;
- release "SEL"; the actual value of St1 flashes;
- press ▲ or ▼ until you reach the desired value;
- press "SEL" to confirm the new St1;
- after having confirmed St1 the display shows for few seconds St2 then its actual value begins to flash;
- press ▲ or ▼ until you reach the desired value;
- press "SEL" to confirm the new St2;
- the display shows the value measured by the main sensor.



6.4 Modification of "P" parameters

To modify the factory-set differential (P1=2) and "P" parameters:

- hold down "PRG" for 5 seconds: the display shows "P1";
- press ▲ or ▼ until you display the parameter you want to modify;
- press "SEL"; the actual value of the chosen parameter appears on the display;
- press ▲ or ▼ until you reach the desired value;
- press "SEL" to confirm the new value;
- the display shows the code that identifies the modified parameter;
- repeat operation from point b) to f), should you need to change other values, otherwise go on to point h);
- press "PRG" to store all modifications and return to normal working operation.

6.5 Modifica dei parametri di tipo "C"

Per modificare i parametri C è necessario:

- premere contemporaneamente i tasti PRG e SEL per cinque secondi;
- a display compare "0";
- visualizzare a display la password corretta (22 o 77) utilizzando i tasti  o  ;
- premere il tasto SEL per conferma;
- l'accesso è contraddistinto dalla visualizzazione di C0.

6.6 Parametri "C" per termocoppie, sonde in tensione e in corrente

I modelli con ingresso in corrente hanno un parametro particolare, C13, che permette di scegliere il tipo di ingresso in corrente:

C13=0 per sonde 4/20 mA, valore definito in fabbrica;

C13=1 per sonde 0/20 mA.

Il valore è quindi da modificare solo se si usa una sonda in corrente con segnale 0/20 mA.


Anche i modelli con ingresso per termocoppia utilizzano il parametro C13:

C13=0, predefinito in fabbrica, corrisponde alle termocoppie K;






C13=1 corrisponde alle termocoppie tipo J. Il valore di C13 è quindi da modificare solo se si usano termocoppie tipo J.

I modelli con ingresso in corrente o in tensione hanno due parametri speciali, C15 e C16, che permettono di definire l'intervallo di lavoro della sonda usata, ovvero i valori che corrispondono agli ingressi minimo (C15) e massimo (C16).

C15 e/o C16 devono essere modificati solo se la sonda usata ha limiti diversi da quelli predefiniti in fabbrica, ossia C15=0 e C16=100, come ad esempio nelle sonde di pressione.



Nota: Il parametro C13 è operativo anche per gli strumenti con ingresso NTC; con C13=0 la visualizzazione è su NTC1. Con C13=1 lo strumento inverte la visualizzazione delle sonde, ossia il display visualizza correntemente la seconda sonda, che chiamiamo NTC2, mentre la sonda di regolazione NTC1 può essere visualizzata premendo il tasto .

Per modificare i parametri C13, C15, C16:

- a) premere i tasti "SEL" e "PRG" contemporaneamente per 5 secondi;
- b) a display compare 0;
- c) impostare la password, premendo il tasto  fino a visualizzare 22;
- d) premere il tasto "SEL" per confermare la password;
- e) se la password impostata è corretta, a display compare il codice "C0", altrimenti bisogna ripetere le operazioni dal punto a);
- f) premere i tasti " " o " " fino a visualizzare il parametro desiderato (C13, C15, C16): quando esso compare premere il tasto "SEL";
- g) a display appare il valore associato al parametro: premere i tasti  o " " fino a visualizzare il valore desiderato; premere il tasto "SEL" per confermare;
- h) ripetere la procedura dal punto f) per modificare altri parametri;
- i) premere il tasto "PRG" per terminare la modifica memorizzando i nuovi valori.

6.5 Modification of "C" parameters

To modify the value of "C" parameters:

- hold down PRG and SEL simultaneously for 5 seconds;
- enter the correct password using the  or  buttons (22 or 77);
- press SEL to confirm;
- you are allowed to access this field when C0 appears on the display.

6.6 "C" parameters for thermocouples, current and voltage sensors

Models with current input have a special parameter, C13, allowing you to choose the type of current input:

C13=0 for 4/20 mA sensors (factory-set);

C13=1 for 0/20 mA sensors

C13 needs to be changed only if you are using a 0/20 mA current sensor.


C13 can be changed also in models equipped with an input for thermocouple:

C13=0 corresponds to K thermocouples (factory-set);






C13=1 corresponds to J thermocouples.

Change C13 only if you are using thermocouples type J.

Models with current or voltage inputs have two special parameters, C15 and C16, allowing you to set the operating range of the sensor (C15=min. value, C16=max. value). C15 and C16 need to be changed only if the sensor you are using has an operating range different from the factory-set one (as in pressure sensors). Factory-set values: C15=0, C16=100.

Important: all IR's with NTC input have the C13 parameter; if C13=0, the value being displayed is that of NTC1. If C13=1 the instrument currently displays the value of the SECOND sensor (NTC2) while the value measured by the main sensor (NTC1) can be displayed by pressing the  button.

To modify parameters C13, C15, C16:

- a) hold down "SEL" and "PRG" together for 5 seconds;
- b) the display shows 0;
- c) introduce the password, holding  the button until 22 appears on the display;
- d) press "SEL" to confirm the password;
- e) if the password is correct the display shows "C0", viceversa you have to repeat all the above operations;
- f) press  or  until you see the desired parameter (C13, C15, C16); when it appears press "SEL";
- g) the display shows the value corresponding to the parameter; press  or  until you reach the desired value; press SEL to confirm;
- h) to modify the other parameters repeat these operations from point f) or press PRG to end the procedure and store the new values.
- i) press PRG button to end the operation and store the new value

6.7 Come modificare il Modo (parametro C0)

- premere i tasti "SEL" e "PRG" contemporaneamente per 5 secondi;
 - a display compare "0";
 - impostare la password, ovvero premere il tasto ▲ e/o ▼ fino a visualizzare "22";
 - premere il tasto "SEL" per confermare la password;
 - se la procedura è stata eseguita in modo corretto, a display compare il codice "C0", altrimenti premere il tasto "PRG" e ripetere le operazioni dal punto a); C0 è il parametro corrispondente al Modo di funzionamento.
- Per caricare sullo strumento uno dei 9 modi descritti è sufficiente assegnare a C0 il numero del Modo scelto, seguendo le seguenti modalità:
- quando C0 compare sul display, premere il tasto "SEL";
 - a display appare "2", che identifica appunto il Modo (C0=2) assegnato in fabbrica;
 - per selezionare un diverso Modo di funzionamento premere i tasti ▲ o ▼ fino a visualizzare il valore numerico associato al Modo di funzionamento scelto, valore compreso tra 1 e 9; premere "SEL" per confermare il dato;
 - premere il tasto "PRG" per concludere l'operazione e memorizzare definitivamente il nuovo Modo di funzionamento.

6.8 Accesso da telecomando

Il telecomando è stato progettato per rendere più semplice la programmazione dei controlli elettronici. Oltre che programmare a distanza lo strumento, consente una veloce e semplice impostazione dei parametri più comuni e maggiormente usati. È caratterizzato da tre gruppi di tasti:

- tasti per attivare/disattivare l'uso del telecomando;
- tasti preprogrammati per la modifica diretta dei parametri principali;
- tasti per la scansione/modifica di tutti i parametri.

a) tasti per attivare/disattivare l'uso del telecomando

Consentono di attivare la comunicazione con il controllo e di terminarla memorizzando o no i nuovi valori dei parametri.

Tasto "INIZIO" (ENABLE): inizia la comunicazione;

Tastiera NUMERICA: imposta l'eventuale password di accesso ai parametri; l'utilizzo della password è consigliato quando più controlli si trovano nel raggio d'azione del telecomando, come nel caso di più controlli posizionati su un quadro elettrico. Selezionando una password diversa per ogni strumento, la modifica dei parametri tramite telecomando potrà essere selettiva, ovvero solo sul controllo desiderato (si veda il capitolo 6.9).

Tasto "ANNULLA" (ESC): termina la programmazione annullando le eventuali modifiche;

Tasto "PRG": è dedicato a due funzioni principali;

- tacita, eventualmente, il buzzer di allarme;
- termina la programmazione memorizzando i nuovi valori attribuiti ai parametri.

Tasto "mode": visualizza il parametro C0; accesso diretto.

Tasto "sonda 2" (2^a probe): nei modelli NTC, visualizza il valore della seconda sonda; accesso diretto.

6.7 How to modify the mode of operation (parameter C0)

- hold down "SEL" and "PRG" together for 5 seconds;
 - the display shows "0";
 - introduce the password (press ▲ or ▼ until "22" is displayed);
 - press "SEL" to confirm the password;
 - if the procedure has been carried out correctly, the display shows "C0", otherwise press "PRG" and repeat all above operations; "C0" corresponds to the mode of operation of the controller.
- To make the controller work according to one of the 9 desired modes, give C0 the appropriate value:
- when C0 appears on the display, press "SEL";
 - the display shows "2" that identifies the factory-set mode (C0=2);
 - to set a different mode press ▲ or ▼ until you display the number corresponding to the desired mode (1-9); press SEL to confirm;
 - press "PRG" to end the operation and store the new mode of operation.

6.8 Programming the controller via remote control

The IR32 Infrared instruments have been designed to be easily and quickly programmed by means of the remote control. The remote control can be used not only to program the controller from a remote position but also to allow the End-User to set the main operation parameters easily and fast. Buttons have been divided into three groups:

- buttons that operate/deactivate the use of the remote control;
- pre-programmed buttons for the modification of the values of the main parameters;
- buttons for scrolling/modifying all parameters.

a) buttons used to activate/deactivate the use of the remote control

These buttons are the remote control ON/OFF buttons. They also allow you to store any new parameter value.

"ENABLE" Button: enables the use of the remote control unit;

NUMERIC keypad: allows you to select the access code (password). We advise you to give each controller a specific access code, especially when your control panel includes several IR instruments or when all of them are exposed to the beam of the remote control. In this way it will be possible for you to change exactly the parameter/s you need to change, without interfering with the data of the other controllers (see chapter 6.9).

"ESC" button: interrupts the programming procedure without storing any modification.

"PRG" button:

- silences the buzzer;
- ends the programming procedure and stores the new values given to the parameters;

"mode" button: displays "C0" (direct access).

"2^a probe" button: displays the value of the second sensor (NTC) (direct access).

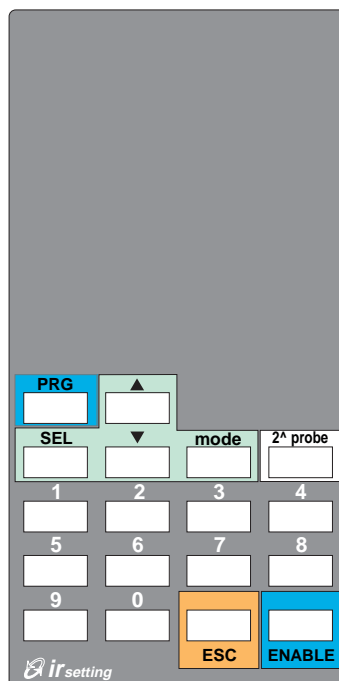


Fig.11

b) tasti per la modifica diretta dei parametri principali

b) buttons used to modify the main parameters

I parametri di uso più frequente sono stati riportati direttamente sul telecomando.

The most frequently used parameters are directly indicated on the remote control.

Le zone con sfondo diverso identificano:

They are grouped in three differently coloured zones:

- parametri relativi alla regolazione;
- parametri relativi alla gestione allarme "Alta" e "Bassa";
- parametri caratteristici delle singole uscite in Modo speciale (C33=1).

- regulation parameters;
- "high" and "low" temperature alarm parameters;
- parameters for the control of each output in the Special Mode (C33=1).

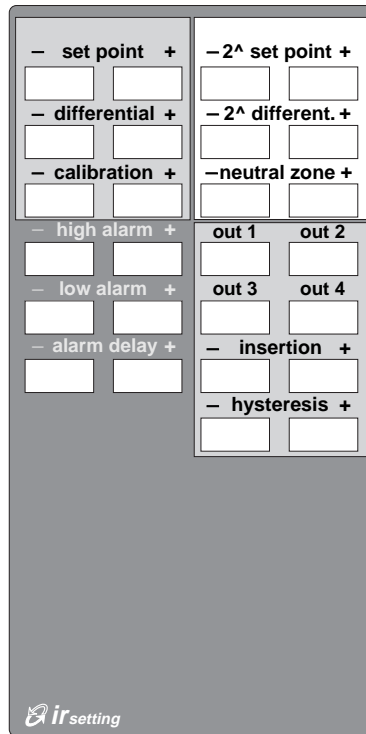


Fig.12

c) tasti per la scansione/modifica di tutti i parametri

c) buttons for scrolling/modifying all parameters

La parte evidenziata, che sul telecomando è in verde, riproduce i tasti dello strumento che consentono di scorrere e visualizzare tutti i parametri.

The green zone of the remote control indicates the buttons that allow you to scroll and modify all parameters.

SEL: commuta la visualizzazione del codice parametro al corrispondente valore e viceversa;

SEL: alternatively displays the code of the parameter and its actual value;

TASTO ▲ :

- 1) consente di passare da un parametro al successivo;
- 2) nella visualizzazione del parametro ne aumenta il valore;

BUTTONS ▲ :

- 1) goes to the next parameter;
- 2) increases the displayed value.

TASTO ▼ :

- 1) consente di passare da un parametro al precedente;
- 2) nella visualizzazione del parametro ne diminuisce il valore.

BUTTONS ▼ :

- 1) goes to the previous parameter;
- 2) decreases the displayed value.

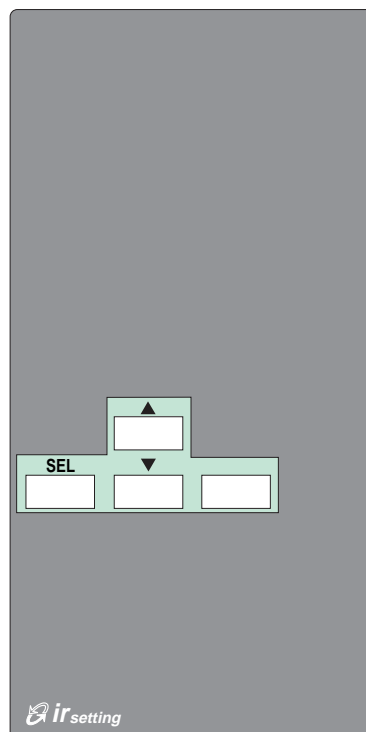


Fig.13

6.9 Modifica parametri da telecomando

Accesso senza codice

1) **abilitazione** del controllo alla ricezione Infrarosso

- premere il tasto "INIZIO" per abilitare l'uso del telecomando;
- sul controllo viene visualizzato il primo parametro disponibile (P1).

2a) **modifica** dei parametri principali tramite i tasti diretti




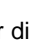
- premere '+' o '-' relativo al parametro di cui si vuole modificare il valore. Alla prima pressione, il display visualizza il codice del parametro, alla successiva pressione viene visualizzato il valore del parametro.

A questo punto:

- premendo '+' il valore aumenta;
- premendo '-' il valore diminuisce.

2b) **modifica** dei parametri per cui non è previsto il tasto diretto

Per i parametri che non sono riproposti direttamente nel telecomando, o, per tutti i parametri in genere, procedere come segue:

- eseguire le operazioni descritte al punto 1 visualizzando il primo parametro P1;
- premere  e  fino a visualizzare sul display il parametro desiderato;
- premere SEL per visualizzare il valore corrispondente al parametro selezionato;
- premere  per aumentarne il valore;
- premere  per diminuirne il valore;
- premere SEL per confermare provvisoriamente il nuovo valore e tornare alla visualizzazione del codice del parametro;
- per modificare un altro parametro ripetere dal secondo punto della presente procedura;
- per uscire dalla programmazione si veda la sezione seguente.

3) **Per uscire** dalla programmazione:

- premere PRG per uscire salvando le modifiche;
- premere ANNULLA per uscire senza salvare le modifiche;
- non premere alcun tasto per almeno 60 secondi (uscita per TIME OUT): in questo caso le modifiche apportate ai parametri non vengono salvate.

Accesso con codice

4) **abilitazione** del controllo all'uso del telecomando.

Qualora nel controllo sia stato inserito un codice di accesso, ovvero C51>0, l'abilitazione è prevista da questa procedura:

- premere il tasto "INIZIO" per abilitare la comunicazione;
- il controllo (o tutti i controlli che si trovano nel raggio di azione del telecomando) risponde visualizzando il proprio codice di accesso;
- digitare correttamente tale codice mediante la tastiera numerica del telecomando;
- a codice correttamente digitato il controllo risponde visualizzando il primo parametro P1;
- proseguire ora come elencato ai punti 2 e 3 precedenti.

6.9 How to modify parameters via remote control

Access without code

1) **To enable** the controller to receive the remote control transmission:

- press 'START' to operate the remote control;
- the first parameter 'P1' appears on the display.





2a) **To modify** the main parameters using the buttons:

- press either the '+' or '-' button of the parameter you want to modify. The display will show the code of the selected parameter.

Press the button a second time to display its actual value;

- press + to increase it;
- press - to decrease it.

2b) **To modify** the parameters not directly indicated by a specific button on the remote control:

- perform the same operations described in point 1 above until the first parameter 'P1' appears on the display;
- press  and  until the display shows the parameter you want to modify;
- press SEL to display the actual value of the parameter;
- press  to increase its value;
- press  to decrease its value;
- press SEL to confirm temporarily the new value and display again the code of the parameter;
- to modify another parameter repeat the operations described above starting from the second point;
- exit the programming procedure as described below.

3) **To exit** the programming procedure:

- press PRG to exit and save all modifications;
- press ESC to exit without storing the previous modifications;
- do not press any button for at least 60 seconds (TIME OUT). In this way the previous modifications will not be stored.

Access with code (password)

4) **To enable** the controller to receive the remote control transmission when the controller has been given an access code (C51>0), follow these indications:

- press "ENABLE" to operate the remote control unit;
- all the controllers exposed to the beam of the remote control will display their own access code;
- digit the access code on the keypad of the remote control;
- the first parameter P1 appears on the display;
- perform the same operations described in points 2 and 3 above.

6.10 Stato della regolazione durante la modifica dei parametri

Durante la modifica del set-point e dei parametri "P" la regolazione continua regolarmente;
In caso di modifica dei parametri "C", gli ingressi e le uscite del regolatore vengono congelati nello stato assunto prima della modifica.
Se si modifica da telecomando, la regolazione viene congelata nello stato precedente fino alla conferma delle modifiche, ottenuta premendo il tasto PRG.

6.11 Validità della modifica parametri

Il nuovo valore dei parametri C è attivo solo alla fine delle operazioni di modifica, dopo aver premuto il tasto PRG. Analogamente il nuovo valore del set-point è attivo solo dopo la conferma con il tasto SEL.
I parametri "P" sono invece attivi fin dal momento della modifica.

6.12 Reset del controllo

Può essere utile riportare lo strumento alla configurazione di fabbrica. Ciò può essere fatto con la seguente procedura di Reset:
1 – togliere tensione allo strumento;
2 – ridare tensione tenendo premuto il tasto 'PRG'.
In questo modo sono annullate tutte le modifiche e ripristinati i valori originari di fabbrica.

6.13 Sistemi avanzati di programmazione e supervisione

– Kit Modì per la modifica dei parametri di funzionamento da PC

Il kit Modì per Personal Computer è la soluzione ideale per produzioni in piccola/media serie. Permette infatti di memorizzare su file eventuali configurazioni 'standard' personalizzate che possono essere semplicemente e velocemente trasferite agli strumenti tramite un collegamento seriale. In questo modo si evita ogni possibile errore legato alla programmazione manuale dei controlli.

– Sistema di supervisione e teleassistenza MasterPlant

MasterPlant rappresenta l'evoluzione dei programmi Carel di supervisione, teleassistenza e monitoraggio standard. Ci sono due modalità di visualizzazione dell'impianto:

- mappa tecnica, con la visualizzazione dello stato delle unità collocate;
- layout personalizzato dell'installazione.

Master Plant è stato scritto utilizzando il linguaggio di programmazione esclusivo Carel EasyTools.

Funzioni Principali:

- registrazione temperature e stampe normalizzate
- modifica dei parametri di controllo di ogni singolo strumento collegato (sia da locale che da remoto)
- sistema facilmente configurabile dall'utente
- connessione elettrica degli strumenti semplificata (2 fili)
- uscite seriali RS485- RS422
- velocità di trasmissione 19.200 Baud (IR32 e pCO con RS485)

Per ulteriori informazioni si rimanda agli specifici manuali che si possono richiedere all'Ufficio Commerciale Carel o al proprio agente di zona.

6.10 Performance of the controller during programming procedures

*While modifying set-point and "P" parameters the controller goes on working as usual.
While modifying "C" parameters, inputs and outputs remain in the same status as they were before the modification took place.
The same happens when you modify parameters using the remote control: the control action will remain as it was until you confirm any modification by pressing PRG.*

6.11 Confirming the newly set values

*Remember that all modifications need to be confirmed: parameters C must be confirmed by pressing PRG, the set-point by pressing SEL.
Parameters "P" become effective as soon as they are modified.*

6.12 Reset of the control

*Should you need to restore the factory-set configuration, follow these guidelines (reset procedure):
1 – cut off power;
2 – supply the instrument again while holding down 'PRG'.*

6.13 Advanced programming tools and Supervisory systems

– Modì Kit for parameters modification via PC.

The Modì Kit for Personal Computer is the best solution for small/medium systems. The Modì Kit allows you to store your standard configuration that can therefore be loaded easily and quickly to all the other Infrared instruments. The Modì Kit makes your job easier as it prevents any error that may occur during manual programming operations.

– MasterPlant Package for Supervisory and Telemaintenance Systems

*MasterPlant is the evolution of Carel standard program of supervising, teleassistance and monitoring.
There are two modes for displaying data from the plant:*

- *technical map, with display of the unit status;*
- *personalised layout of the plants.*

MasterPlant utilizes EasyTools, the exclusive programming software developed by Carel.

Main functions:

- *temperature recording and print according EU standards*
- *modification of parameter set relevant to each single instrument (from local or remote PC)*
- *easy to install, easy to configure for the user*
- *easy electrical connection of the instrument (2 cables)*
- *serial outputs RS485- RS422*
- *transmission speed 19,200 Baud (IR32 and pCO with RS485)*

For further information on the MasterPlant Package contact Carel or your nearest Agent.

7. Descrizione parametri

St1 set-point principale

Descrizione: St1 è il parametro principale, usato da tutti i modi di funzionamento.

Modalità di accesso:

tastiera se C50=1 o 3: diretto premendo SEL;
se C50=0, 2 e 4 il parametro è solo visibile.

telecomando se C50=0, 1 o 4: diretto premendo "INIZIO",
e successivamente i tasti dedicati del telecomando;
se C50 = 2, 3 il parametro è solo visibile.

Validità:

versione tutti i modelli
modi è presente in tutti i Modi, ovvero qualsiasi sia C0
altri parametri non è vincolato da nessun altro parametro

Campo di variazione: tra un minimo di C21 e un massimo di C22, con valori compresi tra -99 e +999

Valore preimpostato: 20

St2 set-point secondario

Descrizione: vedere i capitoli che seguono per una descrizione approfondita.

Modalità di accesso:

tastiera se C50=1 o 3: diretto premendo SEL
dopo la modifica di St1;
se C50=0, 2 e 4 il parametro è solo visibile.
telecomando se C50=0, 1 o 4: diretto premendo
"INIZIO", e i tasti dedicati del telecomando;
se C50 = 2, 3 il parametro è solo visibile.

Validità:

versione tutti i modelli
modi C0 = 6,7,8,9 o qualsiasi valore di C0 se
C33=1 (funzionamento speciale)
altri parametri se C19=2, 3 o 4, St2 è usato nella
compensazione, Modi 1 e 2

Campo di variazione: tra un minimo di C23 e un massimo di C24, con valori compresi tra -99 e +999

Valore preimpostato: 40

Avvertenze particolari: In funzionamento speciale (C33=1), St2 compare in tutti i modi ma è attivo solo per le uscite con dipendenza uguale a 2 (DIPENDENZA= 1, 2).

7. Description of the parameters

St1, main set-point

Description: this is the main parameter, used in all modes of operation:

Access modes:

keyboard If C50=1 or 3: direct access by pressing SEL;
If C50=0, 2 and 4: the parameter will only be displayed.

remote control If C50=0, 1 or 4: direct access by pressing
"ENABLE", and the dedicated buttons on the remote control;
If C50=2, 3: the parameter can only be displayed.

Validity:

version all models
modes all modes, that is, for any value of C0
other param.s not bound to any other parameter

Operating range: between C21 (min.) and C22 (max.), with values spanning between -99 and +999

Factory-set value: 20

St2, second set-point

Description: see next chapters in this manual.

Access modes:

keyboard If C50=1 or 3: direct access by pressing
SEL after St1 has been modified;
If C50=0, 2 and 4: the parameter can only be displayed.

remote control If C50=0, 1 or 4: direct access
by pressing "ENABLE" and the dedicated buttons on the remote control;
If C50=2, 3: the parameter can only be displayed.

Validity:

version all models
modes C0=6, 7,8,9 or any value of C0 if C33=1
(special mode of operation)
other param.s If C19=2,3 or 4, St2 is used for the offset

Operating range: between C23 (min.) and C24 (max.), with values spanning between -99 and +999

Factory-set value: 40

Important: in the special mode of operation (C33=1), St2 appears in all modes but it operates only when the outputs have a dependence equal to 2 (DIPENDENCE= 1, 2).

C0 Modo di funzionamento

Descrizione: è il più importante dei parametri di configurazione. C0 può assumere 9 diversi valori, ognuno dei quali corrisponde a uno dei 9 Modi di funzionamento.

Modalità di accesso:

tastiera se C50=1 o 3: PRG + SEL per 5", password 22 o 77;
se C50=0, 2 e 4 il parametro è solo visibile.

telecomando se C50=4 diretto premendo "INIZIO", e i tasti dedicati del telecomando;
se C50=0, 1, 2 e 3 è sempre visualizzabile premendo direttamente il tasto "MODE" senza premere "INIZIO".

Validità:

versione tutti i modelli

modi -

altri parametri non dipende da altri parametri

Campo di variazione: tra 1 e 9

C0=1 Direct

C0=2 Reverse

C0=3 ZONA NEUTRA

C0=4 PWM

C0=5 Allarmi

C0=6 St1 in Direct o St2 in Reverse da ingresso digitale

C0=7 St1 in Direct o St2 in Direct da ingresso digitale

C0=8 St1 in Reverse o St2 in Reverse da ingresso digitale

C0=9 St1 in Reverse e St2 in Direct contemporaneamente (solo modelli W e Z)

Valore preimpostato: 2 = funzionamento Reverse

Si ricordano alcune caratteristiche dei modi:

- C0=1 e 2: per i modelli con ingresso NTC lo strumento può gestire una seconda sonda (vedi C19);
- C0=3, 4 e 5: attivazione della zona neutra: P3;
- C0=6, 7 e 8: l'ingresso digitale 1 commuta il set-point di lavoro. Non è quindi attivo il parametro C29 "gestione ingresso digitale 1";
- C0=9: non operativo per i modelli a una sola uscita (versioni IRDRV, IRDRT, IR32V).

Avvertenze: quando si modifica C0 il valore di C33 deve essere 0. Se C33=1, la modifica di C0 non ha alcun effetto.

P1 differenziale di St1

Descrizione: P1 definisce l'isteresi di St1. P1 è espresso in valore assoluto ed interessa la zona a destra (post) e a sinistra (pre) di St1. Ciascuna uscita utilizza parte di queste zone a seconda del Modo di funzionamento in uso. Per la rappresentazione grafica si rimanda alla descrizione dei Modi di funzionamento (cap.5).

Modalità di accesso:

tastiera se C50=1 o 3: PRG per 5"
se C50=0, 2 e 4 il parametro è solo visibile

telecomando se C50=0, 1 o 4: diretto premendo "INIZIO", e i tasti dedicati del telecomando
se C50=2, 3 il parametro è solo visibile

Validità:

versione qualsiasi modello

modi è presente in tutti i modi, ovvero qualsiasi sia C0

altri parametri -

Campo di variazione: un minimo di 0,1 e un massimo di 99,9

Valore preimpostato: 2.0

C0, mode of operation

Description: it is the chief configuration parameter. It can be given 9 different values depending on the mode of operation your system requires.

Access modes:

keyboard If C50=1 or 3: hold down PRG + SEL for 5", password 22 or 77

If C50=0, 2 and 4 the parameter will only be displayed

remote control If C50=4: direct access by pressing "ENABLE" and the dedicated buttons on the remote control
If C50=0, 1, 2 and 3 it can always be displayed simply by pressing "MODE".

Validity:

version all models

modes -

other param.s not bound to any other parameter

Operating range: between 1 and 9

C0=1 Direct

C0=2 Reverse

C0=3 NEUTRAL ZONE

C0=4 PWM

C0=5 Alarms

C0=6 St1-direct or St2-reverse by digital input

C0=7 St1-direct or St2-direct by digital input

C0=8 St1-reverse or St2-reverse by digital input

C0=9 St1-reverse and St2-direct simultaneously (models W and Z only)

Factory-set value: 2 = Reverse

C0 special features:

- C0=1 and 2: models with NTC input can manage a second sensor (see C19);
- C0=3, 4 and 5: activation of neutral zone P3;
- C0=6, 7 and 8: digital input 1 changes the operating set-point. Therefore, parameter C29 "digital input 1 management" is not operative;
- C0=9 : disabled in single-output models (IRDRV, IRDRT, IR32V).

Important: When modifying C0, the value of C33 must be 0. If C33=1 then modifying C0 produces no effects.

P1, differential of St1

Description: it defines the hysteresis of St1. P1 is an absolute value that can be set either pre or post the set-point. For further details see Operation Modes (chapter 5).

Access modes:

keyboard If C50=1 or 3: hold down PRG for 5";
If C50=0, 2 and 4: the parameter will only be displayed.

remote control If C50=0, 1 or 4: direct access by pressing "ENABLE" and the dedicated buttons on the remote control;
If C50 = 2, 3: the parameter will be only displayed.

Validity:

version all models

modes all modes, for any value of C0

other param.s -

Operating range: between 0.1 (min.) and 99.9 (max.)

Factory-set value: 2.0

P2 differenziale di St2

Descrizione: analogamente a P1, P2 definisce l'isteresi di St2. Valgono le stesse considerazioni fatte per P1.

Modalità di accesso:

tastiera se C50=1 o 3: PRG per 5"
se C50=0, 2 e 4 il parametro è solo visibile
telecomando se C50=0, 1 o 4: diretto premendo
"INIZIO", e i tasti dedicati del telecomando
se C50=2, 3 il parametro è solo visibile

Validità:

versione qualsiasi modello
modi C0=3,4,5,6,7,8,9
altri parametri attivo anche con altri modi se C33=1 (funzion. speciale) o C19=4 (2ª sonda, solo NTC)

Campo di variazione: tra un min. di 0,1 e un max. di 99,9

Valore preimpostato: 2.0

Avvertenze particolari: si noti che nei Modi 3, 4 e 5, P2 è il differenziale dell'azione Direct e fa riferimento a St1.

P3 differenziale ZONA MORTA (o neutra)

Descrizione: nei Modi 3, 4 e 5, P3 definisce una zona di non intervento, ovvero la "ZONA NEUTRA". P3 comprende sia una zona a destra del set che a sinistra.

Modalità di accesso:

tastiera se C50=1 o 3 premendo PRG per 5"
se C50=0, 2 e 4 il parametro è solo visibile
telecomando se C50=0, 1 o 4: diretto premendo
"INIZIO", e i tasti dedicati del telecomando;
se C50=2, 3 il parametro è solo visibile.

Validità:

versione qualsiasi modello. Per C0=5 solo modelli W e Z
modi C0=3,4 e 5
altri parametri -

Campo di variazione: tra un min. di 0,0 e un max. di 99,9

Valore preimpostato: 2.0

Per maggiori dettagli e la rappresentazione grafica si riveda la descrizione del Modo 3 (vedi pag. 7).

C4 Autorità

Descrizione: C4 è attivo in caso di compensazione: rappresenta il coefficiente di variazione di St1 in base allo scostamento della misura rilevata dalla 2ª sonda NTC rispetto al set-point di riferimento St2.

Tradotta in formula: $C4 = \frac{\Delta St1}{\Delta Ntc2} = \frac{St1_{finale} - St1}{Ntc2_{finale} - St2}$

Modalità di accesso:

tastiera se C50=1 o 3 : PRG+SEL per 5", password 77
se C50=0, 2 e 4 il parametro è solo visibile
telecomando se C50=4: premere "INIZIO", tasti ▲ e ▼
se C50 = 0, 1, 2 e 3 il parametro è solo visibile

P2, differential of St2

Description: P2 defines the hysteresis of St2. The same considerations made for P1 are also valid for P2.

Access modes:

keyboard If C50=1 or 3: hold down PRG for 5";
If C50=0, 2, and 4: the parameter will only be displayed.
remote control If C50=0, 1 or 4: direct access by pressing "ENABLE" and the dedicated buttons on the remote control;
If C50=2, 3: the parameter will only be displayed.

Validity:

version all models
modes C0=3, 4, 5, 6, 7, 8, 9
other param.s active also with other Modes if C33=1 (special mode) or C19=4 (2nd sensor, NTC only).

Operating range: between 0.1 (min.) and 99.9 (max.)

Factory-set value: 2.0

Important: remember that in modes 3, 4 and 5, P2 is the differential of St1 (Direct mode).

P3, dead (neutral) zone differential

Description: in Modes 3, 4 and 5, P3 defines a "NEUTRAL ZONE", that is, a range in which the controller does not actuate any device. P3 includes either a zone on the right side and on the left side of the set.

Access modes:

keyboard If C50=1 or 3, hold down PRG for 5";
If C50=0, 2 and 4: the parameter will be only displayed.
remote control If C50=0, 1 or 4: direct access by pressing "ENABLE" and the dedicated buttons on the remote control;
If C50=2, 3: the parameter will only be displayed.

Validity:

version all models; If C0=5, models W and Z only
modes C0=3, 4 and 5
other param.s -

Operating range: between 0.0 (min.) and 99.9 (max.)

Factory-set value: 2.0

For further information and graphic representation of P3 see description of Mode 3 (see page 7).

C4, authority

Description: C4 operates in the event of offset: it represents the variation coefficient of St1 according to the deviation measured by the second NTC sensor in relation to St2.

Its formula is: $C4 = \frac{\Delta St1}{\Delta Ntc2} = \frac{final St1 - St1}{final Ntc2 - St2}$

Access modes:

keyboard If C50=1 or 3: hold down PRG+SEL for 5", password 77;
If C50=0, 2 and 4 the parameter will only be displayed.
remote control If C50=4: press ENABLE, buttons ▲ and ▼;
If C50 = 0, 1, 2 and 3: the parameter will only be displayed.

Validità:

versione solo modelli NTC
 modi C0=1 e 2
 altri parametri C19=2, 3 e 4

Campo di variazione: tra un min. di -2,0 e un max di 2,0

Valore preimpostato: 0,5

Avvertenze particolari: è visualizzabile e impostabile in ogni caso quindi per tutti i modelli, per tutti i C0 e per qualsiasi valore di C19, ma ha validità solo nelle versioni e nei modi sopra indicati.

C5 P o P+I

Descrizione: C5=1 attiva una regolazione di tipo P+I (proporzionale + integrale). Questa regolazione è utile soprattutto nei regolatori con più uscite. In questo caso il regolatore agisce sul sistema in modo che la grandezza controllata si porti sul valore di set-point o, se abilitato P3, all'interno della zona neutra (leggi Modi 3, 4 e 5).

Modalità di accesso:

tastiera se C50=1 o 3: PRG + SEL per 5",
 password 77
 se C50=0, 2 e 4 il parametro è solo visibile

telecomando se C50=4: premere "INIZIO", tasti ▲ e ▼
 se C50=0, 1, 2 e 3 il parametro è solo visibile

Validità:

versione tutti i modelli
 modi tutti i modelli
 altri parametri –

Campo di variazione: 0 o 1

C5=0 Regolazione P = Proporzionale

C5=1 Regolazione P+I = Proporzionale+Integrale

Valore preimpostato: 0=P (Proporzionale)

Note:

- 1) la regolazione P+I richiede, prima di essere applicata, che il funzionamento con regolazione di tipo P non presenti pendolazioni e sia caratterizzata da una buona stabilità nei differenziali di lavoro previsti: solamente partendo da una regolazione P stabile, P+I garantisce la massima efficacia;
- 2) P+I è attivo solo quando il valore sonda rientra nei differenziali di lavoro P1 o P2 per le condizioni indicate al punto 3;
- 3) sono considerati due errori integrali (quindi due azioni P+I): uno che si riferisce a St1/P1 e l'altro a St2/P2 in relazione alle uscite ad essi correlate (vedere "DIPENDENZA=1 o 2, al capitolo 8.1, pag. 43);
- 4) l'azione P+I è annullata quando la misura è al di fuori dalle zone comprese dai differenziali (vedere punto 3);
- 5) con P+I attivo un'azione efficace è contraddistinta dal valore della grandezza regolata coincidente con il set di riferimento o rientrante all'interno della zona neutra; in queste condizioni si possono riscontrare più uscite attive anche se il diagramma di regolazione di partenza non le prevedeva. Questo è l'effetto più evidente dell'azione P+I;
- 6) l'azione P+I si esplica in un tempo di integrazione fissato a 600 secondi (non modificabile).

Validity:

version NTC models only
 modes C0=1 and 2
 other param.s C19=2, 3 and 4

Operating range: between -2.0 (min.) and 2.0 (max.)

Factory-set value: 0.5

Important: C4 can be displayed and set in all models, for any value of C0 and C19, but it operates only with NTC models and in the modes listed above.

C5, P or P+I

Description: C5=1 actuates a P+I control action (proportional + integral), which is particularly useful when using controllers with more than one outputs. The controlled variable will correspond to the set-point or will range within the neutral zone (if P3 is operative) (see Modes 3, 4, 5).

Access mode:

keypad if C50=1 or 3: press PRG + SEL for 5",
 password 77;
 if C50=0, 2 and 4 the parameter can only be displayed.

remote control if C50=4: press "ENABLE", ▲ and ▼
 if C50=0, 1, 2, 3 the parameter can only be displayed

Validity:

version all models
 modes all modes
 other param.s –

Operating range: 0 or 1

C5=0 P control action (Proportional)

C5=1 P+I control action (Proportional + Integral)

Factory-set value: 0=P (Proportional)

Important:

- 1) be sure, before setting a P+I control action, that the Proportional regulation is free from hunting problems and with a good stability as far as the differentials are concerned. If P is steady enough, then P+I will produce the best results.
- 2) P+I becomes operative only when the value measured by the sensor ranges within the operating differentials P1 or P2 as indicated in point 3) below.
- 3) St1/P1 and St2/P2 are considered two integral errors (P+I control actions) (see Dependence=1 or 2, chapter 8.1, page 43).
- 4) P+I is cancelled when the detected value goes beyond the range set by the differentials (see point 3).
- 5) P+I ensures that the controlled variable reaches the set-point or ranges within the dead zone; to get these conditions more outputs will energize.
- 6) the P+I integration time is 600 seconds (this value can not be changed).

C6 Ritardo tra gli inserimenti di uscite differenti

Descrizione: nel caso di attivazione di più uscite in sequenza, C6 permette di ritardare l'inserimento delle uscite stesse, e ciò al fine di evitare sovraccarichi della linea a causa di spunti ravvicinati o contemporanei dei carichi. Nei sistemi in cui i tempi di risposta sono relativamente brevi (potenze in gioco grandi rispetto all'inerzia del sistema), si evitano partenze e fermate repentine di tutti i carichi, eliminando quindi fastidiosi problemi di pendolazione (da non confondere con C7 che è il ritardo tra due accensioni di una stessa uscita).

Modalità di accesso:

tastiera se C50=1 o 3: PRG + SEL per 5", password 77
se C50=0, 2 e 4 il parametro è solo visibile

telecomando se C50=4: premere "INIZIO", tasti ▲ e ▼
se C50=0, 1, 2 e 3 il parametro è solo visibile

Validità:

versione modelli W e Z
modi tutti i C0, tranne C0=4
altri parametri –

Campo di variazione: minimo 0, massimo 999 (secondi)

Valore preimpostato: 5 secondi

C7 Tempo minimo tra 2 accensioni successive

Descrizione: C7 stabilisce il tempo minimo (in minuti) che deve trascorrere tra due accensioni della stessa uscita, indipendentemente dalla richiesta della regolazione. Settando questo parametro è possibile limitare il numero di accensioni per ora: è molto utile, ad esempio, per la gestione dei compressori. Se il numero massimo di inserimenti ora raccomandato dal costruttore del compressore è pari a 10, è sufficiente settare C7=6 per garantire il rispetto di questo limite.

Modalità di accesso:

tastiera se C50=1 o 3: PRG + SEL per 5", password 77
se C50=0, 2 e 4 il parametro è solo visibile

telecomando se C50=4: premere "INIZIO", tasti ▲ e ▼
se C50=0, 1, 2 e 3 il parametro è solo visibile

Validità:

versione tutti i modelli
modi tutti i C0, escluso C0=4
altri parametri –

Campo di variazione: minimo 0, massimo 15 (minuti)

Valore preimpostato: 0 (non viene imposto un tempo minimo tra due accensioni).

Avvertenze: C7 non è operativo per le uscite PWM.

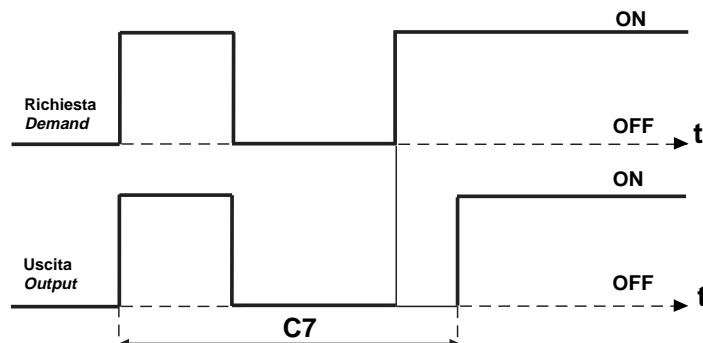


Fig.14

C6, delay between energizations of different outputs

Description: if your system requires the activation of more outputs in sequence, C6 allows you to delay their energisation, so as to avoid line overload due to close or simultaneous inrush of the loads. In systems where reaction time are relatively short (great power in relation to the system inertia), the use of C6 avoids any hunting problem.

Access modes:

keyboard If C50=1 or 3: hold down PRG+SEL for 5", password 77;
If C50=0, 2 and 4: the parameter will only be displayed.

remote control If C50=4: press "ENABLE", ▲ and ▼
If C50=0, 1, 2 and 3: the parameter will only be displayed

Validity:

version Models W and Z
modes All values of C0 except C0=4
other param.s –

Operating range: Min. 0, Max. 999 (seconds)

Factory-set value: 5 seconds

C7, minimum time between 2 successive energizations of the same output

Description: C7 determines the minimum time-delay (in minutes) between two energisations of the same output. Therefore C7 limits the number of energisations per hour; this function is extremely useful in compressor-based applications where C7 ensures the efficiency of the entire system. If the maximum number of energizations per hour recommended by the compressor manufacturer is 10, just set C7=6.

Access modes:

keyboard If C50=1 or 3: hold down PRG+SEL for 5" password 77;
If C50=0, 2 and 4: the param. will only be displayed.

remote control If C50=4: press "ENABLE", ▲ and ▼
If C50=0, 1, 2 and 3: the parameter will only be displayed

Validity:

version All models
modes All values of C0, except C0=4
other param.s –

Operating range: Min. 0, Max. 15 (minutes)

Factory-set value: 0 (the minimum time between two successive energisations is not set).

Important: C7 does not operate with PWM outputs.

C8 Tempo minimo di spegnimento

Descrizione: C8 stabilisce il tempo minimo di spegnimento in minuti della singola uscita. Ogni uscita non viene riattivata se non è trascorso il tempo C8 dall'ultimo spegnimento, indipendentemente dalla richiesta della regolazione.

Questo parametro è utile per garantire l'equalizzazione delle pressioni dopo lo spegnimento nel caso di impianti con capillare e compressori ermetici.

Modalità di accesso:

tastiera se C50=1 o 3: PRG + SEL per 5", password 77
se C50=0, 2 e 4 il parametro è solo visibile

telecomando se C50=4: premere "INIZIO", tasti ▲ e ▼
se C50=0, 1, 2 e 3 il parametro è solo visibile

Validità:

versione tutti i modelli

modi tutti i C0, escluso C0=4

altri parametri –

Campo di variazione: minimo 0, massimo 15 (minuti)

Valore preimpostato: 0 (non viene imposto un tempo minimo di spegnimento)

Avvertenze: C8 non è operativo per le uscite PWM.

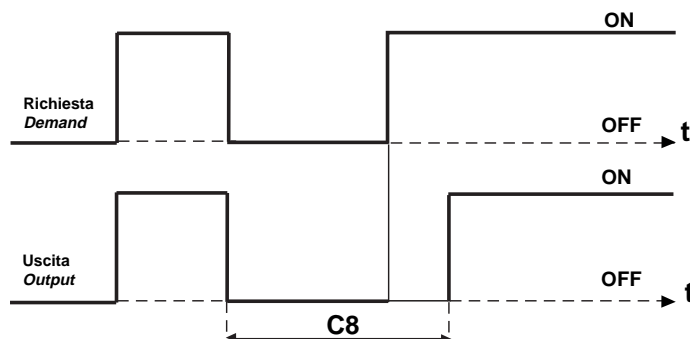


Fig.15

C9 Tempo minimo di attivazione

Descrizione: C9 stabilisce il tempo minimo di attivazione dell'uscita. Questo parametro può essere utile negli impianti frigoriferi con compressori semiermetici per impedire la migrazione dell'olio.

Modalità di accesso:

tastiera se C50=1 o 3: PRG + SEL per 5", password 77
se C50=0, 2 e 4 il parametro è solo visibile

telecomando se C50=4: premere "INIZIO", tasti ▲ e ▼
se C50=0, 1, 2 e 3 il parametro è solo visibile

Validità:

versione tutti i modelli

modi tutti i C0, escluso C0=4

altri parametri –

Campo di variazione: minimo 0, massimo 15 (minuti)

Valore preimpostato: 0 (non viene imposto un tempo min. di ON)

Avvertenze: C9 non è operativo per le uscite PWM.

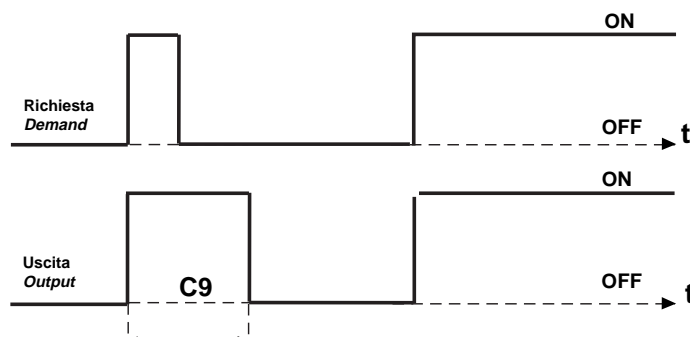


Fig.16

C8, minimum disenergization time-interval

Description: C8 determines the minimum time (in minutes) during which the output remains disenergised. Each output will energize again after the C8 time has passed, independently of the controller's request. This parameter allows you to equalise pressures in systems equipped with hermetic compressors.

Access modes:

keyboard If C50=1 or 3: hold down PRG + SEL for 5", password 77;
If C50=0, 2, 4: the param. will only be displayed.

remote control If C50=4: press "ENABLE", ▲ and ▼
If C50=0, 1, 2 and 3: the param. will only be displayed

Validity:

version All models

modes All values of C0, except C0=4

other param.s –

Operating range: Min. 0 , Max. 15 (minutes)

Factory-set value: 0 (there is no min. factory-set off-time)

Important: C8 does not operate with PWM outputs.

C9, minimum energization time-interval

Description: C9 determines the minimum time an output remains energised; This parameter is particularly useful in refrigeration systems equipped with semi-hermetic compressors to avoid oil migration.

Access modes:

keyboard If C50=1 or 3: hold down PRG + SEL for 5", password 77;
If C50=0, 2, 4: the param. will only be displayed.

remote control If C50=4: press "ENABLE", ▲ and ▼
If C50=0, 1, 2 and 3: the parameter will only be displayed

Validity:

version All models

modes All values of C0, except C0=4

other param.s –

Operating range: Min. 0 , Max. 15 (minutes)

Factory-set value: 0 (there is no min. ON-time)

Important: C9 does not operate with PWM outputs.

C10 Stato delle uscite in caso di allarme sonda (Er0)

Descrizione: C10 determina l'azione sulle uscite di regolazione nel caso sia attivo l'allarme sonda di regolazione Er0, forzando uno dei quattro stati previsti. Quando viene selezionato lo stato OFF, lo spegnimento è immediato; non è rispettata nessuna temporizzazione. Quando viene selezionato lo stato ON, è invece rispettato il "Ritardo tra due inserimenti di due uscite differenti", (vedi C6). Quando l'allarme Er0 rientra, la regolazione riprende normalmente; e l'eventuale uscita di allarme viene resettata (vedi Modo 5). Rimangono invece attivi sia la segnalazione su display che il buzzer finché non si preme PRG/MUTE.

Modalità di accesso:

tastiera se C50=1 o 3: PRG + SEL per 5", password 77
se C50=0, 2 e 4 il parametro è solo visibile

telecomando se C50=4: premere "INIZIO", tasti ▲ e ▼
se C50=0, 1, 2 e 3 il parametro è solo visibile

Validità:

versione tutti i modelli
modi tutti i C0
altri parametri –

Campo di variazione: minimo 0, massimo 3

C10=0 OFF: tutte le uscite regolazione OFF
C10=1 ON: tutte le uscite regolazione ON
C10=2 ON: i gradini Direct – OFF i gradini Reverse
C10=3 OFF: i gradini Direct – ON i gradini Reverse

Valore preimpostato: 0. Tutte le uscite vengono forzate ad OFF se Er0

C11 Rotazione

Descrizione: C11 permette alle uscite di regolazione di scambiare la priorità di partenza e di arresto: in relazione alla richiesta dettata dalla regolazione si diseccita l'uscita che da più tempo è attiva o viene attivata l'uscita che da più tempo è disattiva.

Modalità di accesso:

tastiera se C50=1 o 3: PRG + SEL per 5", password 77
se C50=0, 2 e 4 il parametro è solo visibile

telecomando se C50=4: premere "INIZIO", tasti ▲ e ▼
se C50=0, 1, 2 e 3 il parametro è solo visibile

Validità:

versione modelli W e Z
modi C0=1, 2, 6, 7, 8
altri parametri C33 deve valere 0

Campo di variazione: minimo 0, massimo 7

C11=0 nessuna rotazione;

C11=1 rotazione Standard su tutti i relè (2 o 4 a seconda del modello);

C11=2 rotazione 2+2 su 4 relè; è stata pensata per gestire compressori parzializzati. Le uscite 1 e 3 attivano i compressori, le uscite 2 e 4 le valvole di parzializzazione. La rotazione avviene tra le uscite 1 e 3, mentre le valvole vengono eccitate (relè ON) per permettere il funzionamento dei compressori a massima potenza. La valvola 2 è legata all'uscita 1 e la valvola 4 all'uscita 3.

C11=3 rotazione 2+2 DWM Copeland a 4 relè. È analoga alla rotazione precedente con logica di gestione delle valvole invertita. Le valvole sono infatti normalmente eccitate (compressore parzializzato) e vengono diseccitate (relè OFF) quando è richiesto il funzionamento del compressore a piena potenza. Come in precedenza anche in questo caso le uscite 1 e 3 comandano i compressori, le uscite 2 e 4 le relative elettrovalvole.

C10, outputs status in the event of sensor alarm (Er0)

Description: C10 determines the status of the outputs in the event of sensor alarm (Er0). Select the OFF status to get an immediate disenergisation of the outputs. Time-delays will not be taken into consideration. Select the ON status to maintain the pre-set time-delays between energizations of two different outputs (see C6). When Er0 disappears, the control action will re-start and the alarm output reset (see Mode 5). Instead, the alarm message on the display and the buzzer will remain active until you press PRG/MUTE.

Access modes:

keyboard If C50=1 or 3: hold down PRG + SEL for 5", password 77;
If C50=0, 2 and 4: the param. will only be displayed

remote control If C50=4: press "ENABLE", ▲ and ▼
If C50=0, 1, 2 and 3: the param. will only be displayed

Validity:

version All models
modes All values of C0
other param.s –

Operating range: Min. 0, Max. 3

C10=0 OFF: all outputs are disenergised
C10=1 ON: all outputs are energised
C10=2 Direct steps ON; Reverse steps OFF
C10=3 Direct steps OFF; Reverse steps ON

Factory-set value: 0: all outputs are forced in the OFF status in the event of sensor alarm (Er0).

C11, Rotation

Description: C11 allows your controller to disenergize the output that has been energized for the longest time or to energize the output that has been disenergized for the longest time.

Access modes:

keyboard If C50=1 or 3: hold down PRG + SEL for 5", password 77;
If C50=0, 2 and 4: the parameter will only be displayed.

remote control If C50=4: press "ENABLE", ▲ and ▼
If C50=0, 1, 2 and 3: the parameter will only be displayed

Validity:

version Models W and Z
modes C0 = 1, 2, 6, 7, 8
other param.s C33 must be 0

Operating range: Min. 0, Max. 3

C11=0 no rotation

C11=1 standard rotation on all relays (2 or 4, depending on the model)

C11=2 rotation 2+2 on 4 relays (to control capacity-controlled compressors). Outputs 1 and 3 actuate the compressors, outputs 2 and 4 the valves. Rotation is given to outputs 1 and 3; the relays corresponding to the valves energize to make the compressors work at full power. Output 1 corresponds to the second valve; output 3 to the fourth valve.

C11=3 rotation 2+2 DWM Copeland, 4 relays. Similar to the previous operating logic but in this case the valves are normally energized (capacity-controlled compressor); they disenergize (relay OFF) when the compressor has to work at full power. Outputs 1 and 3 control the compressors, outputs 2 and 4 the electrovalves.

Valore preimpostato: 0. No rotazione

Avvertenze:

- il parametro non ha effetto per i regolatori ad un'uscita;
- nei controlli con numero di serie **minore di 100.000** la rotazione è disabilitata nel funzionamento speciale (C33=1) (per i controlli con numero di serie **maggiore di 100.000** vedere nota seguente);
- nei modelli a due uscite(W), la rotazione è standard anche per C11=2 o 3;
- il collegamento nella configurazione 2+2 è il seguente: OUT1 = Comp.1, OUT2 = Valv.1, OUT3 = Comp. 2, OUT4 = Valv. 2.
- con rotazione 2+2, la sequenza di accensione per pieno carico è: Comp., Valv., Comp., Valv.

Nota per la nuova versione

A partire dal numero di serie maggiore di 100.000 sono disponibili altre quattro nuove rotazioni, in aggiunta alle tre già esistenti (attive nei modelli Z e A):

- C11=4 ruotano uscite 3 e 4, NON ruotano uscite 1 e 2;
- C11=5 ruotano uscite 1 e 2, NON ruotano uscite 3 e 4;
- C11=6 ruotano uscite 1 e 2, ruotano uscite 3 e 4;
- C11=7 ruotano uscite 2, 3 e 4, NON ruota uscita 1.

Con C33=1 le rotazioni sono valide per tutti i modi. Esse saranno abilitate anche in funzionamento speciale; l'utente dovrà prestare particolare attenzione alla programmazione dei parametri perché il controllo farà ruotare le uscite secondo la logica sopra indicata, indipendentemente dal fatto che esse siano uscite di regolazione (anche PWM) o di allarme.

Esempio a: se si hanno due uscite di allarme e due di regolazione, è necessario scegliere la rotazione in modo tale da far ruotare solamente le uscite di regolazione.

Esempio b: se si vuole controllare un chiller a tre compressori, si potrà utilizzare la rotazione "7", riservando le uscite 2, 3 e 4 ai compressori, mentre l'uscita 1 potrà essere non collegata oppure impiegata come uscita ausiliaria o uscita di allarme.

Factory-set value: 0 (no rotation)

Important:

- the parameter does not operate in single-output controllers;
- in the controllers with serial number **below 100,000** rotation is not operative in the special mode of operation (C33=1) (for the controllers with serial number **above 100,000** see note below)
- in two-output models (W), the rotation is a standard feature also when C11=2 or 3;
- connection in the 2+2 configuration is as follows: out1 = Comp.1, OUT2 = Valve 1, OUT3 = Comp.2, OUT4 = Valve 2
- with 2+2 rotation, the power on sequence for power full is Comp., Valv., Comp., Valve

Important: new versions

All controllers model Z and A whose serial number is above 100,000 come with the possibility of setting four new rotations besides the existing ones:

- C11=4 rotation of outputs 3 and 4, NO rotation for outputs 1 and 2;
- C11=5 rotation of outputs 1 and 2; NO rotation of outputs 3 and 4;
- C11=6 rotation of output 1 and 2; rotation of output 3 and 4;
- C11=7 rotation of output 2, 3 and 4; NO rotation of output 1.

When C33=1 (special mode of operation), rotations become operative for any mode. Pay attention when programming the parameters as the controllers make the outputs rotate according to the logic described above, no matter what the outputs are dedicated (control, PWM or alarm outputs).

Example a: if your instrument has two alarm outputs and two control outputs, the rotation should be selected so as to involve exclusively the control outputs.

Example b: if you need to control a three-compressor chiller, you can choose rotation "7" and dedicate outputs 2, 3 and 4 to the compressors. Output 1 can be used as auxiliary or alarm output.

C12 Tempo di ciclo PWM

Descrizione: C12 rappresenta il tempo totale nel ciclo PWM; in pratica, la somma del tempo di attivazione tON e del tempo di spegnimento tOFF è costante e uguale a C12. Il rapporto tra tON e tOFF è stabilito dall'errore di regolazione, ovvero dallo scostamento della misura dal set point riferito (in percentuale) al differenziale interessato dall'uscita. Per ulteriori dettagli si riveda la descrizione del Modo 4, pag. 7.

Nota: poiché l'azione del funzionamento PWM è modulante, si può sfruttare appieno la regolazione P+I, affinché il valore della grandezza coincida con il valore del set o rientri all'interno della ZONA NEUTRA (vedi parametro C5).

Modalità di accesso:

tastiera se C50=1 o 3: PRG + SEL per 5", password 77
se C50=0, 2 e 4 il parametro è solo visibile

telecomando se C50=4: premere "INIZIO", tasti ▲ e ▼
se C50=0,1, 2 e 3 il parametro è solo visibile

Validità:

versione tutti i modelli

modi C0=4. Nel funzionamento speciale (C33=1) il parametro C12 è attivo qualsiasi sia il Modo se il parametro TIPO DI USCITA=1 (funzionamento PWM)

altri parametri TIPO DI USCITA=1

Campo di variazione: minimo 0.2, massimo 999 (secondi)

Valore preimpostato: 20 secondi

C12, PWM cycle time

Description: C12 determines the total time of the PWM cycle: the time the output remains energised (tON) plus the time the output is disenergised (tOFF) correspond to C12. The relation between tON and tOFF is determined by the control error, that is the deviation of the variable from the set-point with reference to its differential. For further details see Mode 4 on page 7.

Important: as the PWM mode produces a modulating action, you can fully exploit the advantages of the P+I control action to make the value of the controlled variable coincide with the set-point or make it range within the dead zone (see parameter C5).

Access modes:

keyboard If C50=1 or 3: hold down PRG + SEL for 5", password 77;
If C50=0, 2 and 4: the param. will only be displayed.

remote control If C50=4: press "ENABLE", ▲ and ▼
If C50=0, 1, 2; and 3: the parameter will only be displayed

Validity:

version All models

modes C0=4. If C33=1 (special mode of operation); C12 is selectable whatever the mode if Type of Outputs=1 (PWM function).

other param.s TYPE OF OUTPUT=1

Operating range: Min. 0.2, Max. 999 (seconds)

Factory-set value: 20 seconds

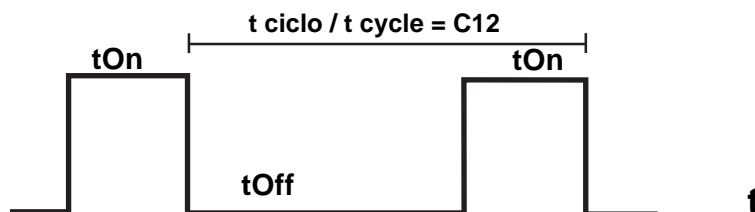


Fig.17

Avvertenze:

- Il minimo tempo di attivazione calcolabile e la massima definizione ottenibile di tON è 1/100 di C12. In pratica questo valore corrisponde per ciascuna uscita alla divisione di C12 per i decimi di unità di misura compresi dal suo differenziale, ovvero tradotto in formula:
$$t_{min}[OUTn](s) = C12 / 10 \times \text{diff } OUTn$$
- Comando relè a stato solido (SSR): sono disponibili su richiesta due versioni speciali a quattro uscite, senza relè d'uscita, identificati dai codici IR32Ax e IRDRAx (per identificare il codice completo vedere Tab. codici pag. 76): le quattro uscite forniscono un segnale ON/OFF in tensione continua, 10Vdc, Ri (resistenza interna) = 660Ω. Queste versioni sono state ideate per pilotare relè a stato solido. Per i modelli IR32 esiste anche la versione IR32D con una uscita di comando per SSR.
- Opzioni: è possibile utilizzare il comando PWM per ottenere un segnale di comando di tipo 0-10 V o 4-20 mA; è necessario in questo caso abbinare la versione per il comando di relè a stato solido del tipo sopradescritto, con il relativo Modulo descritto al capitolo 12, pag. 62 ("Moduli opzionali").

Important:

- The minimum activation time that can be calculated and the max. definition of tON is 1/100 of C12. Its formula is:
$$t_{min} (OUTn)(s) = C12 / 10 \times \text{differential } OUTn$$
- Solid State Relay command (SSR): two four-output versions without output relay are available upon request (IR32Ax and IRDRAx, see Table of Codes page 76); the four outputs give an On/Off signal 10Vdc, (Ri=660). These versions have been specifically designed for use with solid state relays. Among the IR32 models, the IR32D comes complete with one output for SSR.
- Options: by using the PWM mode you can obtain a 0-10V or 4-20 mA signal; the version for use with SSR should, in this case, be combined with the dedicated module described in chapter 12, page 62 (Optional Modules).

C13 Tipo sonda

Descrizione: C13 specifica il tipo di sonda; il significato varia a seconda dei modelli:

ingresso termocoppia (modelli IR**2):

C13=0 Tc Tipo K

C13=1 Tc Tipo J

ingresso corrente (modelli IR**3):


C13=0 segnale 4-20 mA

C13=1 segnale 0-20 mA

ingresso NTC (modelli IR**0):



C13=0 funzionamento normale

C13=1 lo strumento inverte la visualizzazione delle sonde, ovvero il display visualizza NTC2 e premendo il

tasto  viene mostrato il valore di NTC1. Niente cambia a livello di regolazione, anche nel caso di compensazione: la sonda principale di regolazione resta NTC1 e la sonda secondaria rimane NTC2. Il parametro C13=1 richiede quindi la seconda sonda NTC2; nel caso in cui NTC2 sia scollegata o in corto, viene attivato l'allarme Er1.

Modalità di accesso:

tastiera se C50=1 o 3: PRG + SEL per 5", password 22 o 77
se C50=0, 2 e 4 il parametro è solo visibile

telecomando se C50=4: premere "INIZIO", tasti  e 
se C50=0, 1, 2 e 3 il parametro è solo visibile

Validità:

versione modelli con ingresso termocoppia, corrente, NTC

modi è presente in tutti i modi, ovvero qualsiasi sia C0

altri parametri –

Campo di variazione: 0 o 1

Valore preimpostato: 0: Termocoppia tipo K o segnale in corrente 4-20 mA

P14 Calibrazione

Descrizione: P14 permette di correggere la temperatura mostrata a display aggiungendo un offset alla misura letta: il valore assegnato a questo parametro viene aggiunto alla sonda se positivo o tolto se negativo.

Modalità di accesso:

tastiera se C50=1 o 3: PRG per 5"
se C50=0, 2 e 4 il parametro è solo visibile

telecomando se C50=0, 1 o 4: diretto premendo "INIZIO", e i tasti del telecomando
se C50=2, 3 il parametro è solo visibile

Validità:

versione qualsiasi modello

modi è presente in tutti i modi, qualsiasi sia C0

altri parametri –

Campo di variazione: tra un min. di -99 a un max di 99,9

Valore preimpostato: 0. Nessun offset sul valore sonda

Avvertenze:

- la regolazione e la gestione allarmi di "Alta" e "Bassa" sono riferiti al valore corretto da P14;
- nelle versioni NTC, P14 opera esclusivamente sulla sonda principale NTC1 e non interviene su NTC2.

C13, type of sensor

Description: C13 can indicate different types of sensors, depending on the IR model:

Thermocouple Input (models IR**2):

C13=0 Type K Thc

C13=1 Type J Thc

Current Input (models IR**2):


C13=0 4-20 mA signal

C13=1 0-20 mA signal

NTC Input (models IR**2):



C13=0 normal function

C13=1 the instrument inverts the order in which sensors NTC1 and NTC2 are displayed. The display shows the

value of NTC2; press  to display NTC1. The controller's regulation logic will remain unchanged: the main sensor remains NTC1, the second sensor NTC2, as usual. When C13=1 the second sensor NTC2 should be used; in the event of NTC2 sensor alarm (disconnection or short-circuit), the Er1 alarm will be generated.

Access modes:

keyboard If C50=1 or 3: hold down PRG + SEL for 5", password 22 or 77
If C50=0, 2 and 4: the param. will only be displayed

remote control If C50=4: press "ENABLE",  and 
If C50=0, 1, 2 and 3: the parameter will only be displayed

Validity:

version models with Thermocouple, Current and NTC input

modes all modes, that is, for any value of C0

other param.s –

Operating range: 0 or 1

Factory-set value: 0: Type K thermocouple or 4-20mA current signal

P14, Calibration

Description: this parameter allows you to correct the displayed temperature by adding an offset to the value read by the sensor. The value given to this parameter will be added, if positive, or subtracted, if negative, to the sensor signal.

Access modes:

keyboard If C50=1 or 3: hold down PRG for 5" If C50=0, 2 and 4: the param. will only be displayed

remote control If C50=0, 1 or 4: direct access by pressing ENABLE and the dedicated buttons on the remote control
If C50=2, 3: the param. will only be displayed

Validity:

version Any model

modes All modes, that is, for any value of C0

other param.s –

Operating range: between -99 (min.) and 99.9 (max.)

Factory-set value: 0 (no factory-set offset)

Important:

- both control action and High/Low temperature alarms refer to the value modified by P14;
- in NTC models, P14 modifies the value of the main sensor (NTC1) but not that of NTC2.

C15 Valore minimo per ingressi in corrente e tensione

Descrizione: C15 è il valore visualizzato quando all'ingresso c'è il valore minimo, ovvero vi sono 4 mA (4/20) o 0 mA (0/20) nei modelli in corrente, 0 V (nelle versioni -0,4/1V).

Modalità di accesso:

tastiera se C50=1 o 3: PRG + SEL per 5",
password 22 o 77
se C50=0, 2 e 4 il parametro è solo visibile

telecomando se C50=4: premere "INIZIO", tasti ▲ e ▼
se C50=0, 1, 2 e 3 il parametro è solo visibile

Validità:

versione modelli con ingresso in corrente e in tensione
modi è presente in tutti i modi, ovvero qualsiasi sia C0
altri parametri –

Campo di variazione: tra un min. di -99 a un max. di C16

Valore preimpostato: 0

Per ulteriori informazioni vedere la nota posta alla fine del parametro C16, di seguito descritto.

C16 Valore max. per ingressi in corrente e tensione

Descrizione: C16 è il valore visualizzato quando all'ingresso c'è il valore massimo, ovvero vi sono 20 mA (per i segnali 0/20 o 4/20 mA) o 1 V (nelle versioni -0,4/1 V).

Modalità di accesso:

tastiera se C50=1 o 3: PRG + SEL per 5",
password 22 o 77
se C50=0, 2 e 4 il parametro è solo visibile

telecomando se C50=4: premere "INIZIO", tasti ▲ e ▼
se C50=0, 1, 2 e 3 il parametro è solo visibile

Validità:

versione modelli con ingresso in corrente e in tensione
modi è presente in tutti i modi, ovvero qualsiasi sia C0

altri parametri –

Campo di variazione: tra un min. di C15 a un max di 999

Valore preimpostato: 100

Avvertenze: C15 e C16 corrispondono al campo di misura del trasduttore collegato al regolatore.

Definiti i valori estremi, minimo e massimo, tutti gli altri valori sono derivati in proporzione considerando un funzionamento lineare del trasduttore.

C15, minimum value of voltage and current inputs

Description: C15 corresponds the value displayed when there is the minimum value of the input: 4mA (4-20), 0mA (0-20), 0V (-0.4/1V).

Access modes:

keyboard If C50=1 or 3: hold down PRG + SEL for 5", password 22 or 77
If C50=0, 2 and 4: the parameter will only be displayed

remote control If C50=4: press "ENABLE", ▲ and ▼
If C50=0, 1, 2 and 3: the parameter will only be displayed

Validity:

version Models with Current and Voltage input
modes All Modes, that is, for any value of C0
other param.s –

Operating range: between -99 (min.) and C16 (max.)

Factory-set value: 0

For further details see "Important" at the end of the description of C16.

C16, maximum value of voltage and current inputs

Description: C16 corresponds the value displayed when there is the maximum value of the input: 20 mA (0-20 or 4-20mA) or 1V (-0.4/1V).

Access modes:

keyboard If C50=1 or 3: hold down PRG + SEL for 5", password 22 or 77
If C50=0, 2 and 4: the parameter will only be displayed

remote control If C50=4: press "ENABLE", ▲ and ▼
If C50=0, 1, 2 and 3: the parameter will only be displayed

Validity:

version Models with Current and Voltage input
modes All Modes, that is, for any value of C0
other param.s –

Operating range: between C15 (min.) and 999 (max.)

Factory-set value: 100

Important: C15 and C16 correspond to the limit settings of the sensor linked up to the controller.

All the other values are calculated in a proportional way, supposing the transducer works linearly.

C17 Filtro sonda

Descrizione: C17 quantifica l'effetto del filtro sulla misura del valore sonda.

Valori bassi di C17: si ha un piccolo effetto filtrante e sono accettate ampie variazioni del segnale d'ingresso. Si ha una lettura pronta alle variazioni del sensore, lettura che però diventa anche più sensibile ai disturbi.

Valori alti di C17: si rallenta la risposta ma si garantisce una maggiore immunità ai disturbi, ovvero una lettura più stabile. Nell'utilizzo di termocoppie o Pt100, generalmente sensibili alle interferenze, si raccomanda un valore alto di C17.

Modalità di accesso:

tastiera se C50=1 o 3: PRG + SEL per 5", password 77
se C50=0, 2 e 4 il parametro è solo visibile

telecomando se C50=4: premere "INIZIO", tasti ▲ e ▼
se C50=0, 1, 2 e 3 il parametro è solo visibile

Validità:

versione tutti i modelli
modi tutti
altri parametri –

Campo di variazione: tra un minimo di 1 e un massimo di 14

Valore preimpostato: 5

C18 Unità di misura per temperatura: °C o °F

Descrizione: C18 seleziona l'unità di misura della temperatura tra gradi Centigradi (°C) e gradi Fahrenheit (°F):

C18=0 temperatura in °C,

C18=1 temperatura in °F.

Modalità di accesso:

tastiera se C50=1 o 3: PRG+SEL per 5", password 77
se C50=0, 2 e 4 il parametro è solo visibile

telecomando se C50=4: premere "INIZIO", tasti ▲ e ▼
se C50=0, 1, 2 e 3 il parametro è solo visibile

Validità:

versione modelli per temp., NTC, Pt100, TcJ e TcK
modi tutti
altri parametri –

Campo di variazione: 0 o 1

Valore preimpostato: 0 = lettura a display in °C

Avvertenze:

- modificando C18 non viene convertito automaticamente alcun valore degli altri parametri di regolazione, (i set point St1 e St2, i differenziali P1,P2,P3 i limiti allarme "Bassa" (P25) e "Alta" (P26), la calibrazione della sonda P14); questi parametri perciò devono essere eventualmente aggiornati;
- nei modelli IR**3 e IR**4, C18 appare ma non è operativo: tramite C15 e C16 si attua la conversione con i corrispondenti valori dell'unità di misura desiderata.

C17, sensor response

Description: C17 quantifies the filtering effect on the value measured by the sensor.

When C17 is given a low value, the filtering effect is low and the instrument accepts wide variations of the input signal.

When C17 is given a high value the response is slowed down but there will be greater immunity against noises. When using thermocouples or Pt100, easily affected by interferences, we recommend giving C17 a high value.

Access modes:

keyboard If C50=1 or 3: hold down PRG + SEL for 5", password 77
If C50=0, 2 and 4: the param. will be only displayed

remote control If C50=4: press "ENABLE", ▲ and ▼
If C50=0, 1, 2 and 3: the param. will only be displayed

Validity:

version All models
modes All modes
other param.s –

Operating range: Min. 1, Max. 14

Factory-set value: 5

C18, temperature unit of measure: °C or °F

Description: C18 allows you to select the temperature measurement unit, in Centigrade degrees (°C) or Fahrenheit degrees (°F):

C18=0 Temperature in °C

C18=1 Temperature in °F

Access modes:

keyboard If C50=1 or 3: hold down PRG + SEL for 5", password 77
If C50=0, 2 and 4: the parameter will only be displayed

remote control If C50=4: press "ENABLE", ▲ and ▼
If C50=0, 1, 2 and 3: the parameter will only be displayed

Validity:

version models for temperature, NTC, Pt100, ThcJ and ThcK
modes all modes
other param.s –

Operating range: 0 or 1

Factory-set value: 0 (°C)

Important:

- when you modify C18 the other control parameters will NOT be automatically converted (set-points St1 and St2, differentials P1,P2,P3, low alarm threshold (P25) and high alarm threshold (P26), sensor calibration P14); therefore they have to be suitably changed;
- in models IR**3 and IR**4, C18 appears but it is not operative; C15 and C16 allow conversion of into the relevant values the desired unit of measure

C19 seconda sonda NTC

Descrizione: C19 abilita il funzionamento della seconda sonda secondo le descizioni seguenti.

Modalità di accesso:

tastiera se C50=1 o 3: PRG + SEL per 5", password 77
se C50=0, 2 e 4 il parametro è solo visibile

telecomando se C50=4: premere "INIZIO", tasti ▲ e ▼
se C50=0, 1, 2 e 3 il parametro è solo visibile

Nota: NTC2 può essere visualizzata a display in ogni momento premendo il tasto ▼ oppure premendo il tasto "sonda 2" sul telecomando.

Validità:

versione solo nelle versioni NTC
modi C0=1 e C0=2; NTC2 è operativa. NTC2 può essere visualizzata in tutti i modi.
altri parametri C13, C21 e C22

Campo di variazione: Min. 0 Max 4

Valore preimpostato: 0 = NTC2 è solo visualizzabile.

C19=0 NTC2 non ha alcun effetto: è visualizzabile con le modalità indicate precedentemente. Se la sonda non è collegata, il controllo può o meno generare l'allarme sonda NTC2 Er1, in funzione di C13. Più precisamente:

C13=0 non è generato l'allarme Er1; il tentativo di visualizzare NTC2 mostra un valore prossimo al fondo scala (circa -62°C);

C13=1 è generato l'allarme Er1. La regolazione e la visualizzazione di NTC1 continuano normalmente.

Funzionamento differenziale C19=1

La regolazione viene fatta confrontando il set point St1 con la differenza delle due sonde. In pratica il regolatore agisce in modo che la differenza 'NTC1-NTC2' sia pari al valore St1. Come anticipato, la gestione della seconda sonda è prevista solo nei Modi C0=1 e 2.

Il funzionamento **Direct** (C0=1), è indicato nelle applicazioni in cui il regolatore deve contrastare la differenza 'NTC1-NTC2' che tende ad aumentare.

Il funzionamento **Reverse** (C0=2), permette invece di contenere la differenza 'NTC1-NTC2' che tende a diminuire. Di seguito sono proposti degli esempi di applicazioni, per avere un riferimento pratico delle funzioni proposte.

Esempio 1:

Un'unità refrigerante a 2 compressori deve abbassare di 5°C la temperatura dell'acqua.

Introduzione: scelto un regolatore con 2 uscite per gestire i 2 compressori, il primo problema da affrontare è relativo al posizionamento della sonda principale NTC1 e NTC2. Si tenga presente che eventuali allarmi di temperatura possono essere riferiti solo al valore letto dalla sonda NTC1, mentre la visualizzazione delle sonde può essere scambiata con C13.

Ponendo **C13=1** è possibile scambiare la visualizzazione della sonda NTC1 con NTC2, mentre gli allarmi continuano ad essere in funzione di NTC1. Nell'esempio si indicherà con T1 la temperatura di ingresso e con T2 la temperatura di uscita.

C19, second NTC sensor

Description: C19 makes possible the use of the second sensor.

Access modes:

keyboard If C50=1 or 3: hold down PRG+SEL for 5", password 77

If C50=0, 2 and 4 the parameter can be only displayed

remote control If C50=4, press "ENABLE", ▲ and ▼
If C50=0, 1, 2 and 3 the parameter can be only displayed

Important: NTC2 can be displayed at any time by pressing ▼ or the dedicated button on the remote control (second sensor).

Validity:

version NTC models only
modes When C0=1 and C0=2 NTC2 is operative. NTC2 can be displayed when working in any mode.

other param.s C13, C21, C22

Operating range: between 0 (min) and 4 (max)

Factory-set value: 0 (NTC2 can only be displayed)

When **C19=0**, NTC2 does not produce any effect (can be only displayed as described above). If the sensor is disconnected, the controller might generate the NTC2 alarm (Er1) depending on C13. In particular: when **C13=0**, Er1 does not appear (when you display NTC2, its value approaches the lower limit, about -62°C); when **C13=1**, the controller generates the Er1 alarm. The control action goes on regularly and the display shows the value of NTC1.

C19=1, differential

The control action is based on the comparison between St1 and the difference between the two sensors, that is $NTC1-NTC2 = St1$.

It is possible to enable the second sensor only when Mode C0=1 or 2.

The **Direct** control action (C0=1) is recommended in applications where the controller has to reduce the difference between 'NTC1 and NTC2', difference that tends to increase.

The **Reverse** control action (C0=2) permits to increase the difference between 'NTC1 and NTC2' that tends to decrease (see examples below).

Example no.1:

a 2-compressor refrigerating unit has to decrease water temperature by 5°C.

Preliminary remarks: choose a 2-output controller to manage the two compressors, then pay attention to the position of the two sensors NTC1 and NTC2. Keep in mind that temperature alarms depends exclusively on the values measured by NTC1, while the visual values of the sensors can be exchanged with C13.

If **C13=1** it is possible to swap the visual value of NTC1 with NTC2 but all alarms will depend on NTC1. We will indicate inlet temperature with T1 and outlet temperature with T2.

Soluzione 1a: si dovrà porre NTC1 sull'ingresso dell'acqua se si ritiene più importante controllare la temperatura di ingresso T1; ciò permetterà di segnalare allarmi, eventualmente ritardati, di "Alta" temperatura all'ingresso T1. Ad esempio con $NTC1=T1$ il set point corrisponde a ' $NTC1-NTC2$ ', ovvero ' $T1-T2$ ' e dovrà essere uguale a $+5^{\circ}\text{C}$ ($St1=5$). Il Modo di funzionamento sarà 'Reverse' ($C0=2$) visto che il regolatore dovrà attivare le uscite al diminuire del valore ' $T1-T2$ ' che tenderà a 0. Scegliendo un differenziale uguale a 2°C ($P1=2$), una soglia di alta temperatura uguale a 40°C ($P26=40$) e un ritardo di 30 minuti ($P28=30$), si avrà il funzionamento descritto nella figura 18.

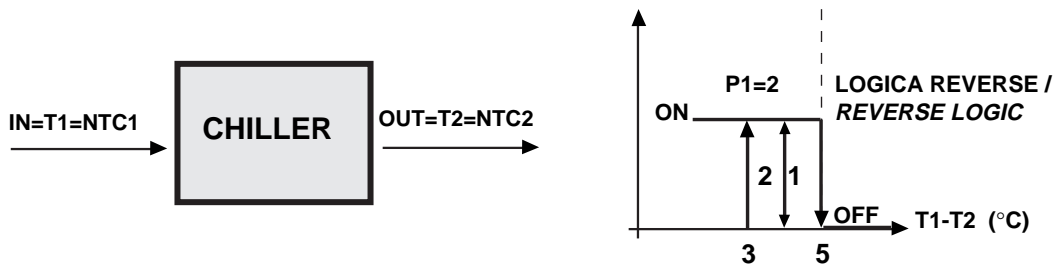


Fig.18

Soluzione 1b: se invece si dà la priorità a T2 (es. soglia di "Bassa" a 6°C con ritardo di un minuto), la sonda principale, NTC1, dovrà essere posizionata all'uscita. I parametri, con queste nuove condizioni, diventano: il set point, $St1$, dato da ' $NTC1-NTC2$ ' ovvero ' $T2-T1$ ', dovrà ora essere fissato a -5°C . Il Modo di funzionamento sarà Direct ($C0=1$) visto che il regolatore dovrà attivare le uscite all'aumentare del valore ' $T2-T1$ ' che da -5 tende a 0. $P25=6$ e $P28=1$ (min) attivano l'allarme di "Bassa" richiesto, come raffigurato nel nuovo diagramma logico di regolazione (figura 19).

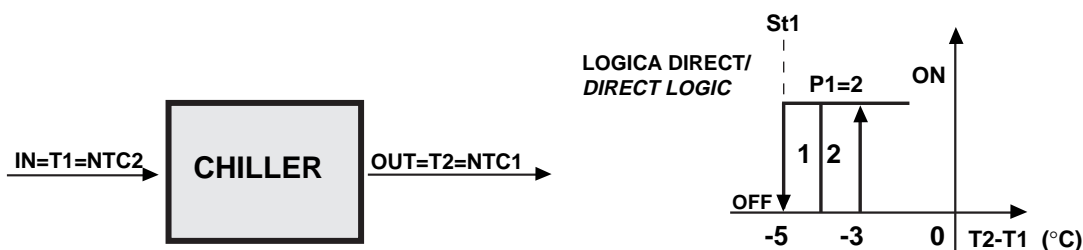


Fig.19

Avvertenze: questo esempio sarà ulteriormente sviluppato nella descrizione del funzionamento speciale ($C33=1$); (vedere esempio 12 a pag. 52).

Solution 1a: locate NTC1 on inlet water if you need to keep under control the inlet temperature T1. In this way the controller will signal any "High" temperature alarm at water inlet T1.

If $NTC1=T1$, the set-point will be ' $NTC1-NTC2$ ', that is ' $T1-T2$ ' which has to be $+5^{\circ}\text{C}$ ($St1=+5^{\circ}\text{C}$). The 'Reverse' control action will be applied ($C0=2$) as the controller has to energize outputs as the ' $T1-T2$ ' difference decreases (towards 0). If you set differential= 2°C ($P1=2$), high temperature threshold= 40°C ($P26=40$) and a 30 minutes' time-delay ($P28=30$), the operating mode will be as illustrated in the graph below:

Solution 1b: if you want to give priority to T2 (e.g. low temperature threshold= 6°C with one minute's delay) locate the main sensor NTC1 at the water outlet. The parameters will be set as follows: $St1=-5^{\circ}\text{C}$ ($NTC1-NTC2$, that is $T2-T1$), direct mode ($C0=1$). $P25=6$ and $P28=1$ (min.) allow you to set the low temperature alarm, as shown in the diagram below (fig. 19):

Important: this example will be further developed below, when describing the special mode of operation ($C33=1$) (see page 52).

Compensazione C19=2, 3 o 4

La compensazione permette di modificare il set point di regolazione St1 in funzione di NTC2 e dal set point di riferimento St2. La compensazione avrà "peso" pari a C4, detto "Autorità".

Avvertenza: quando è in atto una compensazione, il valore del parametro St1 rimane quello impostato; cambia invece il valore operativo di St1, che chiameremo St1-effettivo, valore utilizzato dall'algoritmo di regolazione. Anche St1effettivo è vincolato dai limiti C21 e C22 di impostazione (valore minimo e massimo di St1); questi due parametri garantiscono che St1 non assuma valori indesiderati. Sono previsti tre tipi di compensazione, in relazione al valore assegnato a C19:

C19=2 COMPENSAZIONE ESTIVA:

St1 varia solo se la temperatura NTC2 supera St2;

se NTC2 è superiore a St2 si avrà:

$$St1 \text{ effettivo} = St1 + (NTC2 - St2) * C4$$

se NTC2 è inferiore a St2: $St1 \text{ effettivo} = St1$

Nota: la compensazione estiva può indifferentemente aumentare o diminuire il valore di St1 a seconda che C4 sia rispettivamente positivo o negativo. La logica di funzionamento della compensazione estiva è rappresentata in figura 20:

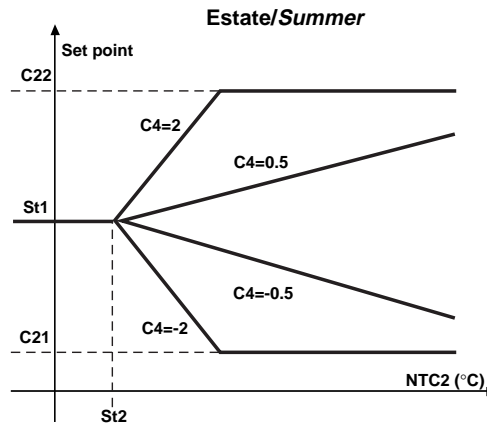


Fig.20

Esempio 2:

si vuole condizionare la temperatura del bar di una stazione di servizio in modo che d'estate la temperatura sia attorno ai 24°C. Per non sottoporre la clientela, che soggiorna solamente per pochi minuti, a forti sbalzi termici, si vuole che la temperatura del locale sia legata alla temperatura esterna, ovvero che aumenti in modo proporzionale fino ad un valore massimo di 27°C raggiunto per una temperatura esterna di 34°C o superiore.

Soluzione: si consideri di controllare con uno strumento Infrarad un'unità aria/aria ad espansione diretta. Posta la sonda principale NTC1 nel bar, la regolazione sfrutterà il Modo C0=1 (Direct) con set point=24°C (St1=24) e differenziale, ad es., di 1°C (P1=1). Per sfruttare la compensazione estiva si collocherà poi la sonda NTC2 all'esterno e si selezionerà C19=2. Si dovrà quindi porre St2=24 visto che la richiesta è compensare il set point 1 solo per temperature esterne superiori a 24 °C. L'autorità C4 dovrà essere uguale a 0,3 in modo che per variazioni di NTC2 da 24 a 34°C il St1 vari da 24 a 27°C. Per ultimo di dovrà selezionare C22=27 per imporre il valore massimo di St1effettivo. Il grafico mostra come varia St1 in funzione della temperatura NTC2.

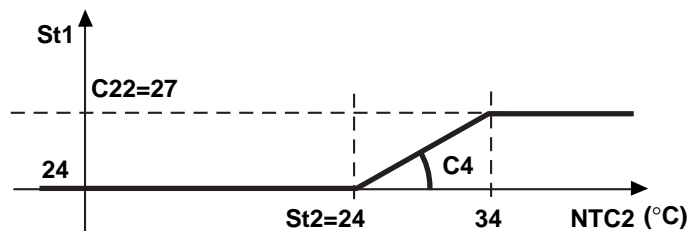


Fig.21

C19=2,3 or 4, offset

C19 allows the instrument to modify St1 when the temperature fluctuations measured by NTC2 deviate from St2. The offset is related to C4 (authority).

Important: during the offset procedure, the value of St1 remains the set one; what changes is the operating value of St1, that is the "actual St1" (this value is used by the control algorithm). The actual St1 is related to C21 and C22 (min. and max. set-point range); these two parameters ensure that St1 remains within an acceptable range. There are three types of offset, depending on the value given to C19:

C19=2, SUMMER OFFSET

St1 varies only if the temperature measured by NTC2 exceeds St2.

If NTC2 is higher than St2, then: $actual\ St1 = St1 + (NTC2 - St2) * C4$.

If NTC2 is lower than St2, then: $actual\ St1 = St1$.

Important: the summer offset can increase or decrease St1 depending on the value given to C4 (positive or negative).

Fig. 20 shows how the summer offset operates:

Example no. 2:

suppose you need to control the summer temperature in a bar, keeping it around 24°C. The air-conditioning system has to control temperature so as to avoid sharp changes in temperature for clients going in and out the bar. To do this the room temperature has to be related to external temperature in a proportional way so that the room temperature can rise up to 27°C when the external temperature is 34°C.

Solution: use an Infrared controller linked up to an air-to-air direct expansion unit. Locate NTC1 in the bar, set C0=1 (Direct mode), set-point=24°C (St1=24), differential=1°C (P1=1). To enjoy the benefits of the summer offset locate NTC2 outside and set C19=2 and St2=24. Set C4=0.3 (authority) so that when NTC2 varies from 24 to 34°C, St1 varies from 24 to 27°C. Finally set C22=27 to fix the max. actual St1. The diagram below shows how St1 changes as the temperature measured by NTC2 varies.

Esempio 3:

Si valuti ora un esempio di compensazione estiva con C4 negativo. Si consideri un sistema di condizionamento costituito da un refrigeratore d'acqua (chiller) e da alcuni ventilconvettori. Per temperature esterne inferiori ai 28°C la temperatura di ripresa del chiller può essere fissata a St1=13°C.

Se la temperatura esterna aumenta, per compensare il maggiore carico termico è utile abbassare linearmente la temperatura di ripresa fino ad un limite minimo di 10°C che sarà raggiunto per temperature uguali o maggiori di 34°C.

Soluzione: i parametri da impostare sul controllo Infrared, ad una o più uscite in relazione alle caratteristiche del chiller, saranno i seguenti:

Modo: C0=1, sonda principale NTC1 sulla ripresa del chiller con un set point di regolazione principale St1=13°C e differenziale P1=2,0°C.

Per la compensazione estiva: C19=2, abilitata per una temperatura esterna, rilevate da NTC2, superiore a 28°C, per cui St2=28. L'autorità, considerato che St1 deve abbassarsi di 3°C a fronte di una variazione su NTC2 di 6°C (34-28), sarà C4= -0,5.

Infine per evitare che la temperatura di ripresa scenda sotto i 10°C si dovrà fissare il limite minimo di St1, ponendo C21=10. Il grafico sottostante mostra l'andamento di St1.

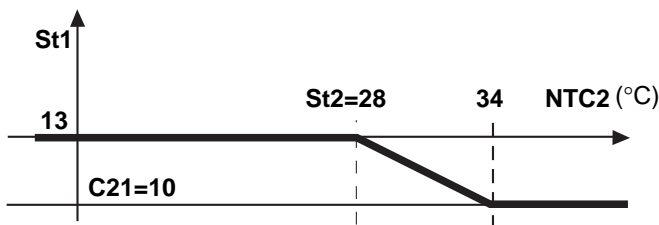


Fig.22

Example no. 3:

Summer offset when C4 is given a negative value. Suppose you have to control an air-conditioning system comprising a chiller and some fan coils. For external temperatures below 28°C, set the chiller's St1=13°C. When the external temperature rises, it is recommended to lower linearly the temperature down to min. 10°C. This value will be reached when the external temperatures are equal or higher than 34°C.

Solution: use an Infrared controller with one or more outputs, depending on the chiller's characteristics and set the following parameters:

Mode: C0=1, NTC1 on the chiller, main set-point St1=13°C and differential P1=2°C.

Summer offset: C19=2 for an external temperature measured by NTC2 above 28°C (St2=28). Authority will be C4=-0.5 because St1 must fall by 3°C as NTC2 varies by 6°C (34-28).

Finally, to avoid that temperature goes below 10°C, fix the min. set-point threshold for St1 by setting C21=10. The diagram below shows how St1 changes.

C19 = 3 COMPENSAZIONE INVERNALE:

St1 varia se la temperatura NTC2 è inferiore a St2; se NTC2 è inferiore a St2, St1effettivo = St1 + (NTC2-St2)*C4 se NTC2 è superiore a St2, St1effettivo = St1

Nota: la compensazione invernale può aumentare o diminuire il valore di St1 a seconda che C4 sia rispettivamente negativo o positivo (per la logica di funzionamento vedere diagramma sottostante).

C19=3, WINTER OFFSET

St1 will vary if the temperature measured by NTC2 is lower than St2.

If NTC2 is lower than St2, then actual St1=St1+(NTC2-St2)*C4;

If NTC2 is higher than St2, the actual St1 = St1.

Important: the winter offset can increase or decrease St1 depending on the value given to C4 (positive or negative) (the diagram below shows how the winter offset operates).

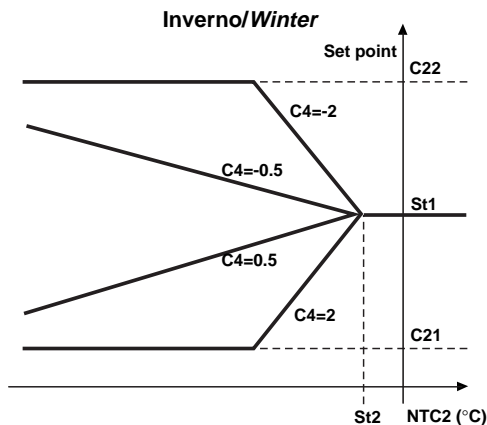


Fig.23

Esempio 4:

Si abbiano le seguenti specifiche di progetto: al fine di ottimizzare il rendimento invernale di una caldaia di un circuito di riscaldamento domestico, si può prevedere una temperatura di esercizio (St1) di 70°C per temperature esterne superiori a 15°C. Quando la temperatura esterna si fa più rigida, quella di esercizio della caldaia deve aumentare in modo proporzionale, fino ad arrivare ad una temperatura massima di 85°C prevista per una temperatura esterna minore o uguale di 0°C.

Soluzione: si potrà utilizzare un regolatore Infrared con la sonda principale NTC1 sul circuito dell'acqua, Modo 2 (riscaldamento), set-point St1=70 e differenziale P1=4. Sarà inoltre necessario utilizzare una sonda NTC2 posta all'esterno, abilitare la compensazione 'INVERNALE' (C19=3) con St2=15 in modo che intervenga solo nel caso di temperature esterne inferiori a 15°C. Per il calcolo dell'autorità si consideri che a fronte di una variazione di NTC2 di -15°C (da +15 a 0°C) St1 deve variare di +15°C (da 70 a 85°C), ne consegue che C4= -1. Infine dovrà essere fissato il limite massimo del St1, selezionando C22=85. Il grafico di figura 23 mostra come varia St1 al diminuire della temperatura esterna NTC2.

Example no. 4

In order to optimize the efficiency of a domestic boiler, suppose an operating temperature of 70°C (St1) with outdoor temperatures above 15°C. When the outdoor temperature falls, the temperature of the boiler has to rise in a proportional way up to max. 85°C in response to external temperatures equal or below 0°C.

Solution: use an Infrared controller and locate the main sensor NTC1 on the water circuit. Set Mode 2 (heating), set-point St1=70 and differential P1=4. Use a second sensor (NTC2) to be located outside and set winter offset (C19=3) and St2=15. As for the authority, consider that for any variation of NTC2 of -15°C (from +15 to 0°C), St1 must increase of +15°C (from 70 to 85°C). Therefore C4=-1. Finally set the max. St1 limit: C22=85. The diagram below shows how St1 changes as the outdoor temperature measured by NTC2 falls.

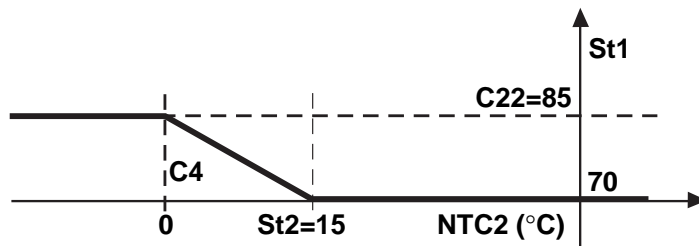


Fig.24

Descrizione C19=4 – COMPENSAZIONE CONTINUA:

la compensazione di St1 è attiva per valori di NTC2 diversi da St2: Con questo valore di C19 si può sfruttare il parametro P2 per definire una zona neutra attorno a St2 in cui la compensazione non è attiva, ovvero quando NTC2 assume valori compresi tra St2-P2 ed St2+P2, viene esclusa la compensazione e St1 non viene modificato: se NTC2 è superiore a (St2+P2),
 $St1_{effettivo} = St1 + [NTC2 - (St2 + P2)] * C4$
 se NTC2 è compreso tra (St2-P2) e (St2+P2), $St1_{effettivo} = St1$
 se NTC2 è inferiore a (St2-P2),
 $St1_{effettivo} = St1 + [NTC2 - (St2 - P2)] * C4$

Nota: la compensazione ottenuta con C19=4 è l'azione combinata della compensazione estiva e di quella invernale viste in precedenza. Nei diagrammi seguenti è rappresentata la compensazione continua per valori di C4 positivi e negativi. Tralasciando l'effetto di P2, se C4 è positivo St1 aumenta quando $NTC2 > St2$ e diminuisce per $NTC2 < St2$. Viceversa, se C4 è negativo St1 diminuisce per $NTC2 > St2$ e aumenta per $NTC2 < St2$.

C19=4, CONTINUOUS OFFSET

The offset of St1 takes place when the temperature measured by NTC2 deviates from St2. When C19=4, you can enjoy the benefits of P2 that allows you to create a neutral zone around St2 in which offset does not occur (that is, when NTC2 detects values ranging between St2-P2 and St2+P2). Therefore St1 will not change. If NTC2 rises above (St2+P2), then: actual $St1 = St1 + [NTC2 - (St2 - P2)] * C4$
 If NTC2 ranges between (St2-P2) and (St2+P2), then: actual $St1 = St1$
 If NTC2 falls below (St2-P2), then: actual $St1 = St1 + [NTC2 - (St2 - P2)] * C4$

Important: the offset action obtained when C19=4 results from the combination of the summer and winter offset. The diagram below shows an example of continuous offset where C4 is given both positive and negative values. If C4 is positive, St1 increases when $NTC2 > St2$ and decreases when $NTC2 < St2$. Viceversa, if C4 is negative, St1 decreases when $NTC2 > St2$ and increases when $NTC2 < St2$.

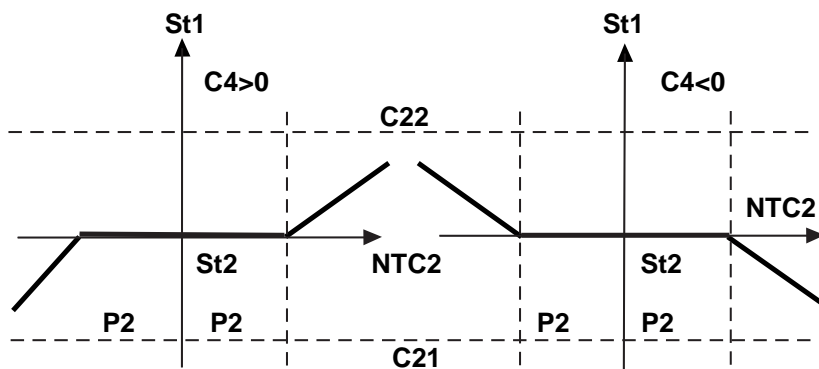


Fig.24/a

C21 Valore minimo ammesso da St1

Descrizione: C21 determina il minimo valore impostabile per St1. In funzionamento con compensazione rappresenta il minimo valore operativo di St1 modificato dalla compensazione (vedere descrizione del parametro C19).

Modalità di accesso:

tastiera se C50=1 o 3: PRG + SEL per 5", password 77
se C50=0, 2 e 4 il parametro è solo visibile

telecomando se C50=4: premere "INIZIO", tasti ▲ e ▼
se C50=0, 1, 2 e 3 il parametro è solo visibile

Validità:

versione tutti i modelli

modi tutti

altri parametri –

Campo di variazione: tra un min. di -99 a un max. di C22

Valore preimpostato: versioni NTC -50, corrente -10, tensione -60, TcJ/K -99

C22 Valore massimo ammesso da St1

Descrizione: C22 determina il massimo valore impostabile per St1. In funzionamento con compensazione rappresenta il massimo valore operativo di St1 modificato dalla compensazione (vedere descrizione del parametro C19).

Modalità di accesso:

tastiera se C50=1 o 3: PRG + SEL per 5", password 77
se C50=0, 2 e 4 il parametro è solo visibile

telecomando se C50=4: premere "INIZIO", tasti ▲ e ▼
se C50=0, 1, 2 e 3 il parametro è solo visibile

Validità:

versione tutti i modelli

modi tutti

altri parametri –

Campo di variazione: tra un minimo di C21 a un massimo di 999

Valore preimpostato: NTC 90, Corr./Tens. 110, PT100 600, TcJ/K 999

C23 Valore minimo ammesso da St2

Descrizione: C23 determina il valore min. impostabile per St2.

Modalità di accesso:

tastiera se C50=1 o 3: PRG + SEL per 5", password 77
se C50=0, 2 e 4 il parametro è solo visibile

telecomando se C50=4: premere "INIZIO", tasti ▲ e ▼
se C50=0, 1, 2 e 3 il parametro è solo visibile

Validità:

versione tutti i modelli

modi C0=6,7,8,9 e funzionamento speciale
con C33=1

altri parametri C19 = 2, 3 e 4 con C0 =1 o 2

Campo di variazione: tra un min. di -99 a un max. di C24

Valore preimpostato: versioni NTC -50, corrente -10, tensione -60, TcJ/K -99

C21, minimum value of St1

Description: C21 determines the minimum selectable value of St1. If the offset is operative, it indicates the minimum operational value of St1 modified by the offset (see description of C19).

Access modes:

keyboard If C50=1 or 3: hold down PRG + SEL for 5", password 77

If C50=0, 2 and 4: the parameter will only be displayed

remote control If C50=4: press "ENABLE", ▲ and ▼

If C50=0, 1, 2 and 3: the parameter will only be displayed

Validity:

version All models

modes All modes

other param.s –

Operating range: between -99 (min.) and C22 (max.)

Factory-set value: NTC-50, current -10, voltage -60, Thc J/K -99

C22, maximum value of St1

Description: C22 determines the maximum selectable value of St1. If the offset is operative, C22 indicates the maximum operational value of St1 modified by the offset (see description of C19).

Access modes:

keyboard If C50=1 or 3: hold down PRG + SEL for 5", password 77

If C50=0, 2 and 4: the param. is only displayed

remote control If C50=4: press "ENABLE", ▲ and ▼

If C50=0, 1, 2, 3: the param. is only displayed

Validity:

version All models

modes All modes

other param.s –

Operating range: between C21 (min.) and 999 (max.)

Factory-set value: NTC 90, current/voltage 110, PT100 600, ThcJ/K 999

C23, minimum value of St2

Description: C23 determines the minimum selectable value of St2.

Access modes:

keyboard If C50=1 or 3: hold down PRG + SEL for 5", password 77

If C50=0, 2, 4: the param. will only be displayed

remote control If C50=4: press "ENABLE", ▲ and ▼

If C50=0, 1, 2 and 3: the parameter will only be displayed

Validity:

version All models

modes C0=6,7,8,9 and special mode
of operation (C33=1)

other param.s C19 = 2, 3, 4 and C0 =1 or 2

Operating range: between -99 (min.) and C24 (max.)

Factory-set value: NTC version -50, current -10, voltage -60, TcJ/K -99

C24 Valore massimo ammesso da St2

Descrizione: C24 determina il valore max. impostabile per St2.

Modalità di accesso:

tastiera se C50=1 o 3: PRG + SEL per 5", password 77
se C50=0, 2 e 4 il parametro è solo visibile

telecomando se C50=4: premere "INIZIO", tasti ▲ e ▼
se C50=0, 1, 2 e 3 il parametro è solo visibile

Validità:

versione tutti i modelli

modi C0=6,7,8,9 e funzionamento speciale (C33=1)

altri parametri C19=2, 3 e 4 con C0 =1 o 2

Campo di variazione: tra un min. di C23 a un max. di 999

Valore preimpostato: NTC=90, Corr./Tens.=110, PT100=600, TcJ/K=999

P25 SET Allarme di "Bassa"

Descrizione: P25 rappresenta, in valore assoluto, l'effettivo valore di intervento dell'allarme di "Bassa". P25 è continuamente confrontato con il valore rilevato dalla sonda. Il parametro P28 rappresenta in minuti il "ritardo di attivazione allarme"; l'allarme di "Bassa" (Er5) si attiva solo se la misura resta inferiore a P25 per un tempo superiore a P28. Il valore di P25 è un valore assoluto: nel caso si vari il punto di lavoro è necessario verificare che il nuovo intervallo di funzionamento non giunga oltre i limiti di allarme. Set point di allarme relativo: il parametro P27 può abilitare la gestione di allarme con set point relativi.

Modalità di accesso:

tastiera se C50=1 o 3: PRG per 5"
se C50=0, 2 e 4 il parametro è solo visibile

telecomando se C50=0, 1 o 4: diretto premendo "INIZIO", e i tasti dedicati del telecomando
se C50=2, 3 il parametro è solo visibile

Validità:

versione qualsiasi modello

modi qualsiasi C0

altri parametri -

Campo di variazione: tra un minimo di -99 a un massimo pari al valore di P26

Valore preimpostato: versioni NTC -50, corrente -10, tensione -60, TcJ/K -99

P26 SET Allarme di ALTA

Descrizione: P26, analogamente a P25, rappresenta in valore **assoluto** l'effettivo valore di intervento dell'allarme di "Alta". P26 è continuamente confrontato con il valore rilevato dalla sonda (e visualizzato a display). Qualora quest'ultimo superi P26 per un tempo superiore a P28, il controllo attiva Er4, l'allarme di "Alta". Anche per P26, come per P25, vale la raccomandazione di verificarne il valore affinché non si attivino allarmi di "Alta" durante il funzionamento normale. Set point di allarme **relativo**: il parametro P27 può abilitare la gestione di allarme con set point relativi.

C24, maximum value of St2

Description: C24 determines the maximum value of St2.

Access modes:

keyboard If C50=1 or 3: hold down PRG + SEL for 5", password 77
If C50=0, 2 and 4 the parameter will be only displayed

remote control If C50=4: press "ENABLE", ▲ and ▼
If C50=0, 1, 2 and 3 the parameter will be only displayed

Validity:

version All models

modes C0=6,7,8,9 and special mode of operation (C33=1)

other param.s C19=2, 3 and 4 with C0 =1 or 2

Operating range: from C23 (min.) to 999 (max.)

Factory-set value: NTC=90, Current/Voltage=110, Pt100=600, thcJ/K=999

P25, low temperature set-point

Description: P25 is the absolute value that causes the controller to respond to a low temperature condition. The value given to P25 is constantly compared with the readouts detected by the sensor. The low temperature alarm (Er5) is detected only when the temperature value goes below the P25 value for a time-interval longer than that selected through P28. Should you modify the set-point, remember to check the alarm limits. Relative alarm set-point: to enable alarm management with **relative** set-points use parameter P27.

Access modes:

keyboard If C50=1 or 3: hold down PRG for 5"
If C50=0, 2 and 4, the parameter will be only displayed

remote control If C50=0, 1 or 4: direct access by pressing "ENABLE" and the dedicated buttons on the remote control
If C50=2, 3: you can only display the parameter

Validity:

version Any model

modes Any value of C0

other param.s -

Operating range: from -99 (min.) to P26 (max.)

Factory-set value: NTC -50, current -10, voltage -60, TcJ/K -99

P26, high temperature set-point

Description: similarly to P25, P26 is the **absolute** value that causes the controller to respond to a high temperature condition. The value given to P26 is constantly compared with the readouts detected by the sensor (you can read these values on the display). As soon as the sensor measures a value higher than P26 for a time-interval longer than that set through P28, the controller will generate the high temperature alarm (Er4). As P26 is an absolute value, check its value so as to avoid "High" temperature alarms during normal operation. Relative alarm set-point: to enable alarm management with **relative** set-points use parameter P27.

Modalità di accesso:

tastiera se C50=1 o 3: PRG per 5"
se C50=0, 2 e 4 il parametro è solo visibile

telecomando se C50=0, 1 o 4: diretto premendo "INIZIO",
e i tasti dedicati del telecomando
se C50=2, 3 il parametro è solo visibile

Validità:

versione qualsiasi modello
modi qualsiasi C0
altri parametri –

Campo di variazione: tra un minimo pari al valore di P25 a un massimo di 999

Valore preimpostato: NTC=90, Corrente/Tensione=110, PT100=600, TcJ/K=999

Access modes:

keyboard If C50=1 or 3: hold down PRG for 5"
If C50=0, 2 and 4: the parameter will be only displayed

remote control If C50=0, 1 or 4: direct access by pressing "ENABLE" and the dedicated buttons on the remote control
If C50=2, 3 the parameter is only displayed

Validity:

version Any model
modes Any value of C0
other param.s –

Operating range: from P25 (min.) to 999 (max.)

Factory-set value: NTC=90, current/voltage=110, PT100=600, TcJ/K=999

P27 differenziale ALLARME: reset

Descrizione: l'allarme di "Bassa" (Er5) e di "Alta" (Er4) sono a reinserzione automatica. P27 determina l'isteresi tra il valore di attivazione dell'allarme e il valore di disattivazione. Si veda il grafico qui riportato, in cui i punti A e B rappresentano i valori di disattivazione rispettivamente degli allarmi di "Bassa" e "Alta". In ogni caso, anche se la misura non è ancora rientrata dalle zone di disattivazione (zone in grigio), è possibile annullare la segnalazione di allarme di "Alta" e "Bassa" premendo il tasto PRG/mute. Se si pone P27 a valori 'molto' alti (ovviamente in relazione al set-point di lavoro e al range di variazione della misura nell'applicazione considerata), si rende praticamente impossibile il rientro dalla condizione di allarme per cui il Reset dell'allarme di "Alta" e "Bassa" diventa solo Reset manuale. Questa particolarità può essere sfruttata in molte applicazioni in cui non si desidera perdere traccia di eventuali allarmi di "Alta" e/o "Bassa", per cui è richiesto il Reset manuale.

Nota: se si preme PRG/mute quando la misura è oltre una delle soglie, si spegne immediatamente il buzzer, mentre l'indicazione del codice di allarme e l'eventuale uscita di allarme, permarranno attivi fino a che la misura rientra dalla soglia di attivazione.

Modalità di accesso

tastiera se C50=1 o 3: PRG per 5"
se C50=0, 2 e 4 il parametro è solo visibile

telecomando se C50=0, 1 o 4: premendo "INIZIO",
tasti ▲ e ▼
se C50=2, 3 il parametro è solo visibile

Validità:

versione qualsiasi modello
modi qualsiasi C0
altri parametri –

Campo di variazione: tra un min. di 0,1 a un max di 99,9

Valore preimpostato: 2.0

P27, alarm differential: reset

Description: both the LOW and the HIGH temperature alarms (Er5 and Er4) reset automatically. P27 determines the range of the hysteresis, that is, the limit points that determine the activation of the alarm and its de-activation. In the diagram below points A and B indicate the values making the low and high temperature alarms stop. It is always possible, however, to reset the low/high temperature alarms manually, by simply pressing PRG/mute. If you give P27 quite a high value (in relation to the set-point and to the variation range of the variable being controlled in a specific application), you will have to reset the high/low alarms manually. This feature proves to be particularly useful in all those applications in which it is preferred to reset any alarm condition manually.

Important: if you press PRG/mute when the temperature value has exceeded its limits, the buzzer can be immediately silenced. Instead, the alarm code will remain displayed and the output energized until the temperature value returns within the set range.

Access modes:

keyboard If C50=1 or 3: hold down PRG for 5"
If C50=0, 2 and 4: the parameter can only be displayed

remote control If C50=0, 1 or 4: direct access by pressing "ENABLE", ▲ and ▼
If C50=2, 3: the parameter can only be displayed

Validity:

version Any model
modes Any value of C0
other param.s –

Operating range: from 0.1 (min.) to 99.9 (max.)

Factory-set value: 2.0

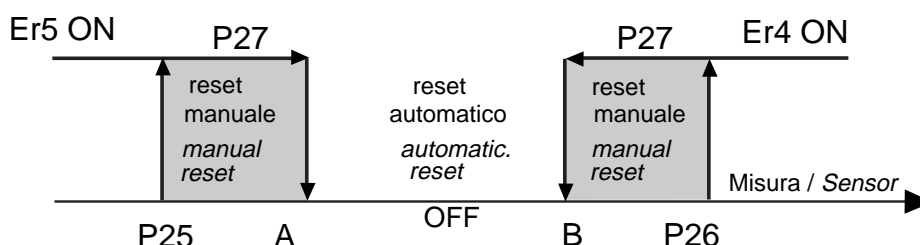


Fig.25

Nota per la nuova versione

Allarme relativo:

Nei controllori con numero di serie **maggiore di 100.000**, è possibile impostare il set di allarme ("Alta" e "Bassa") anche di tipo relativo (oltre che assoluto), selezionabile tramite il parametro P27.

L'impostazione di P27 stabilisce il tipo di allarme:

P27 negativo – soglie di allarme relativo;

P27 positivo – soglie di allarme assoluto.

L'intervento del differenziale è analogo nei due casi.

L'azione è pari al valore assoluto del valore impostato.

Qualora si utilizzino soglie di allarme relative, prestare attenzione anche ai segni di P25 e P26: infatti il segno negativo indica l'intervento del rispettivo allarme prima del set-point (valido quindi per una soglia di "Bassa", P25), mentre il segno positivo indica l'intervento dopo il set-point (normalmente utilizzato per l'"Alta", P26).

In modo particolare ricordare che:

- il segno di P27 non cambia il tipo di azione sul rientro dell'allarme:
automatico con P27 piccolo in valore assoluto;
manuale con P27 grande in valore assoluto.
- P27 non deve essere impostato 0;
- con C0= 6, 7, 8 i set di allarme sono relativi a St1 se l'ingresso digitale è aperto, mentre sono relativi a St2 se l'ingresso digitale è chiuso.

Esempio 5: allarme di "Bassa" assoluto

Supponiamo di dover controllare una cella alla temperatura di 10 °C, con un allarme di "Bassa" a 3 °C e rientro a 5 °C. I parametri impostati saranno i seguenti: P25=3, P27=2

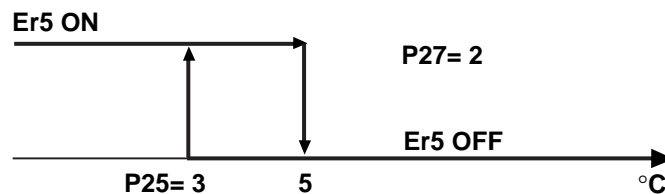


Fig.26

Esempio 6: Allarme di "Bassa" relativo

Lo stesso risultato dell'esempio superiore, può essere ottenuto con una gestione di allarme di tipo relativo. In questo caso i valori da impostare saranno i seguenti: set=10 °C, P25=-7 e P27=-2.

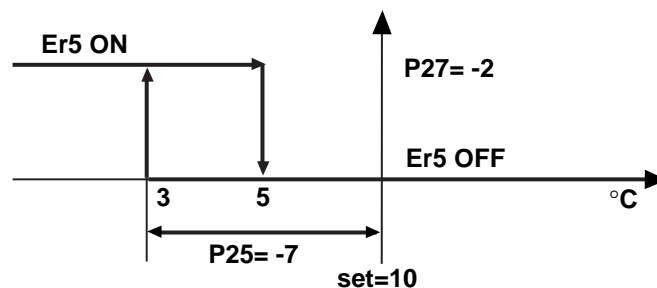


Fig.27

Avvertenza: come si può notare dagli esempi sopra riportati, il risultato ottenuto è lo stesso. Esiste però una differenza sostanziale: nel primo caso l'allarme impostato è totalmente indipendente dal set, mentre nel secondo la soglia di allarme ne è strettamente legata, seguendone le eventuali variazioni.

New versions

Relative alarm:

Controllers having a serial number **above 100,000** allow you to set also a relative High/Low alarm set-point through P27:

P27 negative = relative alarm thresholds

P27 positive = absolute alarm thresholds

The differential action corresponds to the absolute value of the selected value in the both cases. When setting relative alarm thresholds remember to pay attention to the values given to P25 and P26: the negative sign makes the alarm appear for values lower than the set-point ("Low" temperature threshold, P25); the positive sign generates an alarm condition for values higher than the set-point ("High" temperature threshold, P26).

- the sign of P27 (+ or -) does not change the type of alarm reset: automatic reset when P27 is given a small absolute value; manual reset when P27 is given a great absolute value.
- P27 must not be 0;
- when C0= 6, 7, 8 the alarm set-points refer to St1 if the digital input is open, they refer to St2 if the digital input is closed.

Example no. 5: Absolute Low Temperature Alarm

Suppose your IR controller has to manage a cold storage room with a temperature of 10°C. The low temperature alarm has been set at 3°C. The alarm condition will disappear when the temperature rises to 5°C. In short: P25=3, P27=2.

Example no. 6: Relative Low Temperature Alarm

The same result can be obtained setting a relative alarm threshold:

Set-point =10 °C, P25=-7, P27=-2.

Important: as you can note, the two examples above produce the same results. In the first one, however, the selected alarm threshold is completely independent from the value given to the set-point while in the second example the alarm threshold depends entirely on it and changes as the set-point varies.

P28 Ritardo attivazione allarme

Descrizione: P28 fissa il tempo minimo necessario per generare un allarme di "Alta" (Er4) o "Bassa" (Er5) o da ingresso digitale (Er3) (vedere i parametri P25, P26, C29 e C30). Per generare un allarme, il valore rilevato dalla sonda (per le versioni NTC intendiamo la sonda principale NTC1) deve permanere sotto la soglia di "Bassa" (P25) o sopra la soglia di "Alta" (P26) per un tempo superiore al valore di P28.

Nel caso di allarme da ingresso digitale (C29, C30=3), il contatto deve permanere aperto per un tempo maggiore di P28. In caso di superamento di una soglia o di apertura del contatto, parte istantaneamente un conteggio che genera un allarme qualora raggiunga P28; se durante il conteggio la misura rientra o il contatto si chiude, l'allarme non viene segnalato e il conteggio è annullato.

In presenza di una nuova condizione di allarme il conteggio di P28 ripartirà da 0.

Modalità di accesso:

tastiera se C50=1 o 3: PRG per 5"
se C50=0, 2 e 4 il parametro è solo visibile

telecomando se C50=0, 1 o 4: diretto premendo il tasto d'accesso diretto (vedere capitolo 15)
se C50=2, 3 il parametro è solo visibile

Validità

versione qualsiasi modello

modi qualsiasi C0

altri parametri –

Campo di variazione: tra un min. di 0 a un max di 120 (minuti)

Valore preimpostato: 60 (minuti)

Avvetenza: si consiglia di imporre sempre un minimo ritardo per la segnalazione degli allarmi al fine di eliminare falsi allarmi dovuti a interferenze sul segnale della sonda e/o a situazioni limitate nel tempo (es. variazione della temperatura dovuta alla momentanea apertura della porta di una cella).

C29 Gestione ingresso digitale 1

Descrizione: C29 stabilisce la funzione dell'ingresso digitale 1 qualora non sia già usato nei modi 6, 7 e 8. Quando previsto come ingresso di allarme, ovvero per C29=1,2,3, verificata la condizione di allarme, sono attivate una o più uscite di allarme secondo quanto previsto dal Modo usato (vedere Modo 5) mentre l'azione sulle uscite di regolazione è definita da C31.

C29=0 ingresso non attivo

C29=1 allarme esterno immediato con Reset Automatico.

La condizione di allarme si ha con contatto aperto. Al cessare della condizione di allarme (chiusura del contatto) la regolazione riprende regolarmente e un'eventuale uscita di allarme rientra. Restano attivi la segnalazione acustica e il codice d'allarme Er3, azzerabili solamente con la pressione del tasto "PRG/mute".

C29= 2 allarme esterno immediato con Reset Manuale.

La condizione di allarme si ha con contatto aperto. Al cessare della condizione di allarme (chiusura del contatto) la regolazione non riprende automaticamente e restano attivi la segnalazione acustica, il codice d'allarme Er3 e l'eventuale uscita di allarme. La regolazione può ripartire solo un Reset Manuale, ovvero dopo la pressione del tasto "PRG/mute".

P28, delayed alarm

Description: P28 indicates the minimum time-interval before the high temperature alarm (Er5), the low temperature alarm (Er4) or the digital input alarm (Er3) go off (see parameters P25, P26, C29, C30). Before an alarm condition is generated, the temperature measured by the main sensor (NTC1) must remain below the low temperature threshold (P25) or above the high temperature threshold (P26) for a time-interval longer than that selected through P28.

In the event of digital input alarm (C29, C30=3), the contact must remain open for a time-interval longer than P28. If the above mentioned thresholds are exceeded after the P28 time has passed, the relative alarm will be immediately generated. Should the temperature return within its normal range, no alarm will be generated.

Access modes:

keyboard If C50=1 or 3: hold down PRG for 5"
If C50=0, 2 and 4: the parameter will be only displayed

remote control If C50=0, 1 or 4: direct access by pressing the dedicated button (see chapter 15)
If C50=2, 3: the parameter will be only displayed

Validity:

version Any model

modes Any value of C0

other param.s –

Operating range: from 0 (min.) to 120 minutes (max.)

Factory-set value: 60 minutes

Important: always set a minimum time-interval to delay an alarm condition so as to eliminate false alarms due to interferences on the sensor signal and/or temporary faulty conditions (eg: temperature variation following the opening of the door of the walk-in refrigerator).

C29, digital input no. 1

Description: digital input no.1 can be used to perform different functions, depending on the value given to C29. When the digital input is used as alarm input (C29=1,2,3), in the event of off-normal condition a certain number of outputs will energise depending on the selected Mode of Operation (see Mode 5). The control outputs are determined by C31.

C29=0 Idle input

C29=1 Immediate external alarm with automatic reset

The alarm condition will be generated by an open contact. When the contact closes (end of the off-normal condition), the control action will re-start automatically. Press "PRG/mute" to silence the buzzer and cancel the alarm code Er3 on the display.

C29= 2 Immediate external alarm with manual reset

The alarm condition occurs when the contact is open. When the contact closes (end of the off-normal condition), the control action will not re-start till you press "PRG/mute" (manual reset); this button also silences the buzzer and cancels the alarm code (Er3) on the display.

C29=3 allarme esterno RITARDATO (ritardo = P28) con Reset Manuale

La condizione di allarme si ha se il contatto rimane aperto per un tempo superiore a P28. Attivato l'allarme Er3, se cessa la condizione di allarme (chiusura del contatto) la regolazione non riprende automaticamente e restano attive le segnalazione acustica il codice d'allarme Er3 e l'eventuale uscita di allarme. La regolazione può ripartire solo dopo la pressione del tasto 'PRG/mute (Reset Manuale).

C29=4 ON/OFF

L'ingresso digitale stabilisce lo stato della macchina:

- con l'ingresso digitale chiuso la regolazione è attiva (ON).
- con l'ingresso digitale aperto la regolazione viene disattivata (OFF) e:

- a display vengono visualizzati tre tratti orizzontali alternati al valore della sonda e ad eventuali con codici di allarme attivi prima dello spegnimento;
- le uscite di regolazione vengono spente (OFF) rispettando comunque l'eventuale tempo minimo di attivazione (vedere C9);
- le uscite di allarme e la segnalazione del buzzer, se attive non vengono alterate da un eventuale stato di OFF;
- non vengono segnalati nuovi allarmi che dovessero apparire in questo stato, tranne Er0 (allarme sonda);
- il tasto PRG è comunque attivo per essere impiegato come tacitazione del buzzer e per resettare un eventuale allarme sonda Er0 nel frattempo rientrato.

Avvertenze: il parametro C29 non è operativo per C0=6, 7, 8. Questi modi di funzionamento sfruttano infatti l'ingresso digitale 1 per commutare il set-point e/o la logica di funzionamento, pertanto ogni modifica del valore di tale parametro è ininfluente.

Modalità di accesso:

tastiera se C50=1 o 3: PRG + SEL per 5", password 77
se C50=0, 2 e 4 il parametro è visibile

telecomando se C50=4: premere "INIZIO", tasti ▲ e ▼
se C50=0, 1, 2 e 3 il parametro è solo visibile

Validità:

versione tutti i modelli
modi C0=1, 2, 3, 4, 5, 9
altri parametri C31

Campo di variazione: tra un minimo di 0 a un massimo di 4

Valore preimpostato: 0 (ingresso digitale 1 non attivo)

C29=3 Delayed external alarm with manual reset (P28)

The alarm condition will be detected if the contact of the digital input remains open for a time-interval longer than that set through P28. When the contact closes (end of the off-normal condition), the control action will not re-start till you press PRG/mute (manual reset); this button also silences the buzzer and cancels the alarm code (Er3) on the display.

C29=4 ON/OFF

- *When the digital input is closed, the control action is in progress (ON);*
- *when the digital input opens, the control action stops (OFF). During the OFF status:*
 - *the display shows three dashes that alternate with the value detected by the sensor or with the last alarm code (if any) which occurred before the Off status;*
 - *all control outputs disenergise, but the previously-set min. On time (see C9) will be taken into consideration;*
 - *alarm outputs and buzzer will not be deactivated if they are indicating an off-normal condition at the moment the controller is turned in the Off status;*
 - *during the Off status the controller does not generate any alarm except Er0 (sensor alarm);*
 - *PRG/mute is operative and can be used to silence the buzzer or reset the Er0 alarm.*

Important: C29 does not operate when C0=6,7,8 (these modes of operation, in fact, make use of the digital input no.1 to change the set-point and/or the operating logic of the instrument).

Access modes:

keyboard If C50=1 or 3: hold down PRG + SEL for 5", password 77
If C50=0, 2 and 4: the parameter will be only displayed

remote control If C50=4: press "ENABLE", ▲ and ▼
If C50=0, 1, 2 and 3: the parameter will only be displayed

Validity:

version All models
modes C0=1, 2, 3, 4, 5, 9
other param.s C31

Operating range: 0 (min.) - 4 (max.)

Factory-set value: 0 (digital input no. 1 idle)

C30 Gestione ingresso digitale 2

Descrizione:

- il parametro C30 è presente anche nelle versioni da pannello (IR32) ma non è collegabile in morsettiera. Porre C30 diverso da 0 nei modelli IR32 equivale perciò a generare gravi malfunzionamenti.
- C30 ha significato e funzioni analoghe a C29; quest'ultimo ha però priorità su C30. Questo significa che se C29=1, 2 o 3, il parametro C30 può assumere solo i valori 0, 4. Viceversa se C29=4, il parametro C30 può assumere solo i valori 0, 1, 2, e 3. Porre C29 = C30 (=1, 2, 3, 4) equivarrebbe a non abilitare la funzione prevista dall'ingresso digitale 2.

Modalità di accesso:

tastiera se C50=1 o 3: PRG + SEL per 5", password 77
se C50=0, 2 e 4 il parametro è solo visibile

telecomando se C50=4: premere "INIZIO", tasti ▲ e ▼
se C50=0, 1, 2 e 3 il parametro è solo visibile

Validità:

versione C30=1,2,3 e 4: solo versioni IRDR

modi Tutti i C0

altri parametri –

Campo di variazione: tra un minimo di 0 a un massimo di 4.

Valore preimpostato: 0 (ingresso digitale 2 non attivo)

Avvertenze: nei modelli IRDR il parametro C30 è relativo al secondo ingresso digitale che, con i valori 0, 1, 2, 3 e 4, ha gli stessi significati del parametro C29, a cui si rimanda.

C31 Stato uscite con allarme da ingresso Digitale

Descrizione: C31 determina l'azione sulle uscite di regolazione nel caso sia attivo l'allarme di ingresso digitale Er3 (vedere C29 e C30).

Quando viene selezionato lo stato OFF, lo spegnimento è immediato, dunque non è considerata alcuna temporizzazione. Quando viene selezionato lo stato ON, è invece rispettato il 'Ritardo tra due inserimenti di due uscite diverse', (vedi C6). Se l'allarme da ingresso digitale con reset automatico (C29, C30=1), al ritorno delle condizioni normali (contatto esterno chiuso) l'eventuale uscita di allarme (vedi C0=5) viene ripristinata e la regolazione riprende normalmente. Rimangono invece attivi la segnalazione Er3 su display e il buzzer finché non si preme PRG/mute.

Modalità di accesso:

tastiera se C50=1 o 3: PRG + SEL per 5", password 77
se C50=0, 2 e 4 il parametro è solo visibile

telecomando se C50=4: premere "INIZIO", tasti ▲ e ▼
se C50=0, 1, 2 e 3 il parametro è solo visibile

Validità:

versione tutte; (per le versioni IR32, il parametro non è operativo per C0=6, 7 e 8)

modi tutti

altri parametri C29 (o C30 per IRDR)=1, 2 e 3

Campo di variazione: da 0 a 3

C31=0 OFF tutte le uscite regolazione

C31=1 ON tutte le uscite regolazione

C31=2 OFF solo i gradini con funzionamento Reverse, non interessati gli altri (*)

C31=3 OFF solo i gradini con funzionamento Direct, non interessati gli altri (*)

(*) solo per i controlli con numero di serie maggiore di 100.000: nelle versioni precedenti "gli altri" sono posti ON.

Valore preimpostato: 0. Tutte le uscite vengono forzate ad OFF in caso di Er3

C30, digital input no. 2

Description:

- C30 appears in all IR32 panel mounted models but can not be used as it does not appear on the terminal block. C30 must therefore be set to 0: a different value would damage the controller.
- C30 is strictly connected to the value given to C29: if C29=1,2,3, C30 can only be given 0 or 4. Viceversa, if C29=4, C30 can be given 0, 1, 2, 3. If C29=C30 (1,2,3,4) the function of the second digital input is not enabled.

Access modes:

keyboard If C50=1 or 3: hold down PRG + SEL for 5", password 77
If C50=0, 2 and 4: the param. will be only displayed

remote control If C50=4: press "ENABLE", ▲ and ▼
If C50=0, 1, 2 and 3: the param. will only be displayed

Validity:

version C30=1, 2, 3 and 4 IRDR only

modes Any value of C0

other param.s –

Operating range: 0 (min.) - 4 (max.)

Factory-set value: 0 (digital input no. 2 idle)

Important: In IRDR models, C30 refers to the second digital input. When C30=1,2,3,4, it assumes the same meaning as C29.

C31, outputs status in the event of alarm via Digital input

Description: C31 determines the outputs status in the event of alarm 'Er3' (see C29 and C30).

Select the OFF status to get an immediate disenergisation of the outputs without taking into consideration the previously set time-delays.

Select the ON status to respect the 'time-delay between two energisations of two different outputs' (see C6).

When the "Er3" alarm condition disappears, regulation will be resumed automatically only if you have previously selected such option (C29, C30=1). The alarm output will reset (C0=5) as well. The alarm message on the display (Er3) and the buzzer will remain active till you press PRG/mute.

Access modes:

keyboard If C50=1 or 3: hold down PRG + SEL for 5", password 77
If C50=0,2,4: the param. will only be displayed

remote control If C50=4: press "ENABLE", ▲ and ▼
If C50=0,1,2,3: the param. will only be displayed

Validity:

version All models (IR32s do not feature this param. when C0=6,7,8)

modes All modes

other param.s C29 (or C30 for IRDR)=1, 2, 3

Operating range: 0 - 3

C31=0 OFF: all outputs disenergised

C31=1 ON: all outputs energised

C31=2 OFF: only steps working in the Reverse mode (*)

C31=3 OFF: only steps working in the Direct mode (*)

(*) only for the controllers whose serial number is above 100,000 (the other versions have the remaining steps in the ON status).

Factory-set value: 0. All outputs forced in the OFF status in the event of Er3.

C32 Indirizzo seriale

Descrizione: C32 assegna allo strumento un indirizzo per il collegamento seriale del controllo ad un sistema di supervisione e/o teleassistenza.

Modalità di accesso:

tastiera se C50=1 o 3: PRG + SEL per 5", password 77
se C50=0, 2 e 4 il parametro è solo visibile

telecomando se C50=4: premere "INIZIO", tasti ▲ e ▼
se C50=0, 1, 2 e 3 il parametro è solo visibile

Validità:

versione presente in tutte le versioni. Gli strumenti necessitano dell'apposita scheda seriale (non inseribile nei modelli IR32VxU e IRDRTE).

modi tutti i C0

altri parametri –

Campo di variazione: tra 1 e 16

Valore preimpostato: 1

C33 Funzionamento "speciale"

Descrizione: C33 consente di espandere le programmazioni previste dai nove Modi predefiniti utilizzando altri 16 parametri, da C34 a C49 (vedere capitolo 8, pag. 43).

Modalità di accesso:

tastiera se C50=1 o 3: PRG + SEL per 5", password 77
se C50=0, 2 e 4 il parametro è solo visibile

telecomando se C50=4: premere "INIZIO", tasti ▲ e ▼
se C50=0, 1, 2 e 3 il parametro è solo visibile

Validità:

versione tutte

modi tutti i C0

altri parametri –

Campo di variazione: 0 o 1 (C33=1 funzionamento speciale)

Valore preimpostato: 0 (il Modo è standard).

Avvertenza: con C33=0 questi parametri non sono visibili e sono automaticamente programmati dai 9 Modi di funzionamento. La personalizzazione della programmazione non interesserà l'utente finale o l'utilizzo "normale" dello strumento; creato l'algoritmo personalizzato, all'utente finale non resta che modificare i parametri di utilizzo più frequente, come set-point e differenziale.

C32, Serial address

Description: C32 allows you to give your IR controller a specific address, necessary when linking up the instrument to a supervisory and/or telemaintenance network.

Access modes:

keyboard If C50=1 or 3: hold down PRG + SEL for 5", password 77

If C50=0, 2 and 4: the parameter will only be displayed

remote control If C50=4: press "ENABLE", ▲ and ▼

If C50=0, 1, 2 and 3: the parameter will only be displayed

Validity:

version Available on all models (complete with dedicated serial board), except models IR32VxU and IRDRTE

modes Any value of C0

other param.s –

Operating range: 1-16

Factory-set value: 1

C33, "special" mode of operation

Description: in addition to the nine Modes of Operation, C33 allows you to enhance the performance of your controller by making use of other 16 parameters, from C34 to C49 (see chapter 8, page 43).

Access modes:

keyboard If C50=1 or 3: hold down PRG + SEL for 5", password 77

If C50=0, 2 and 4: the parameter will only be displayed

remote control If C50=4: press "ENABLE", ▲ and ▼

If C50=0, 1, 2 and 3: the parameter will only be displayed

Validity:

version All models

modes Any value of C0

other param.s –

Operating range: 0 or 1 (C33=1, Special mode)

Factory-set value: 0 (Standard mode)

Important: when C33=0 these parameters are not directly displayed and are automatically programmed by the 9 main Modes. The End-User can not customize his/her controller but can modify all most frequently used parameters (e.g. set-point and differential).

C50 Abilitazione tastiera e/o telecomando

Descrizione: utilizzando il parametro C50 è possibile limitare e/o impedire la modifica del set e degli altri parametri a personale non autorizzato. Ciò è utile, ad esempio, quando lo strumento è posto in zone accessibili al pubblico.

Modalità di accesso:

tastiera se C50=1 o 3: PRG + SEL per 5", password 77
se C50=0, 2 e 4 il parametro è solo visibile

telecomando se C50=4: premere "INIZIO", e i tasti ▲ e ▼
se C50=0, 1, 2 e 3 il parametro è solo visibile

Validità:

versione tutte
modi tutti i C0
altri parametri –

Campo di variazione: da 0 a 4

Valore preimpostato: 4 (tastiera e telecomando abilitati)

Note:

- Tastiera disabilitata: non è possibile modificare i set-point ed i parametri di regolazione; è però sempre possibile visualizzarne il valore. L'unico parametro modificabile è C50, accessibile con la password 77.
- Telecomando disabilitato: è solo possibile vedere il valore dei parametri abilitati, ma non modificarli.

Importante: con C50=0 o 1 sono accessibili da telecomando solo i parametri P e St1 e St2. Per accedere/modificare tutti i parametri con il telecomando impostare C50=4 da tastiera. Se telecomando e tastiera sono entrambi disabilitati (C50=2) è possibile entrare alla programmazione/modifica solo del parametro C50 utilizzando la tastiera e la password 77. I valori corrispondenti a "mode" e "sonda 2" sono sempre visualizzabili con telecomando, qualsiasi sia il valore di C50.

C51 Telecomando: codice abilitazione

Descrizione: il parametro C51 attribuisce al controllo un codice per abilitare l'accesso ai parametri da telecomando. Ciò rende possibile l'utilizzo del telecomando quando vi siano più controlli presenti sullo stesso pannello elettrico, eliminando il problema delle interferenze. È possibile assegnare ad ogni controllo un codice di accesso diverso da 1 a 120. Se C51=0 (valore di default) si accede direttamente ai parametri premendo il tasto "INIZIO". Quando C51=1, 2,...120, dopo aver premuto il tasto "INIZIO" sul telecomando, il controllo visualizza sul display il proprio codice di accesso. Solo digitando quel numero sul telecomando è possibile accedere ai parametri del controllo tramite il telecomando stesso. Nel caso che più di nove controlli siano contigui si raccomanda di selezionare come codice di accesso a ciascuno, valori superiori al 13.

Modalità di accesso:

tastiera se C50=1 o 3: PRG + SEL per 5", password 77
se C50=0, 2 e 4 solo visibile

telecomando se C50=4: premere "INIZIO", tasti ▲ e ▼
se C50=0, 1, 2 e 3 solo visibile

Validità:

versione tutte, esclusi i modelli IR32VxE privi di ricevitore infrarod.
modi tutti i C0
altri parametri –

Campo di variazione: da 0 a 120

Valore preimpostato: 0

C50, operating keypad and/or remote control

Description: C50 allows you to limit and/or avoid any modification of both set-point and operating parameters by non-authorized personnel. This safety function protects your instrument, especially when it is placed in an easily accessible area.

Access modes:

keyboard If C50=1 or 3: hold down PRG + SEL for 5", password 77
If C50=0,2,4: the param. will be only displayed

remote control If C50=4: press ENABLE, ▲ and ▼
If C50=0,1,2,3: the param. will only be displayed

Validity:

version All models
modes Any value of C0
other param.s –

Operating range: From 0 to 4

Factory-set value: 4 (keypad and remote control operative)

Notes:

- When the keypad is idle you are not allowed to modify the set-points nor any control parameters but you will be allowed to display their values. The only parameter you can change is C50, accessible via password 77.
- When the remote control is idle you can display all parameters but you are not allowed to modify their values.

Important: When C50=0 or 1, the remote control allows you to enter 'P' parameters and the two set-points only (St1 and St2). If you want to access/modify all the parameters via remote control, set C50=4 (via keypad). If both remote control and keypad are in the Off status (C50=2) you can only enter the programming/modification field of C50 by digiting '77' on the keypad. The values corresponding to 'mode' and "2nd sensor" can always be displayed, independently of the value given to C50.

C51, operating the remote control

Description: C51 indicates the controller's code allowing you to enter the programming field via remote control. This function proves particularly useful when you need to program more controllers installed on the same control panel. C51, in fact, allows you to give each single controller a specific access code (from 1 to 120) which therefore eliminates any possible interference among units when programming them. If C51=0 (default value) parameters can be directly accessed by pressing "ENABLE". If C51=1,2,... 120 press "ENABLE" to make the controller display its own code then digit it using the buttons of the remote control to be allowed to enter the parameters field. Should you have more than 9 controllers next to each other, give each of them an access code above '13'.

Access modes:

keyboard If C50=1 or 3: hold down PRG + SEL for 5", password 77
If C50=0, 2, 4: the param. will be only displayed

remote control If C50=4: press "ENABLE", ▲ and ▼
If C50=0,1,2,3: the param. will only be displayed

Validity:

version All models, except IR32VxE without infrared receiver
modes Any value of C0
other param.s –

Operating range: from 0 to 120

Factory-set value: 0

8. Descrizione funzionamento speciale

Con **C33=1** diventano accessibili 16 ulteriori parametri, detti parametri speciali, con codice che va da C34 a C49. Ogni uscita è in pratica caratterizzata da 4 parametri, come illustra lo schema riportato qui sotto.

Parametri 'speciali' e loro corrispondenza con le varie uscite

	OUT1	OUT2	OUT3	OUT4
Dipendenza / <i>Dependence</i>	C34	C38	C42	C46
Tipo di uscita / <i>Type of output</i>	C35	C39	C43	C47
Inserzione / <i>Energization</i>	C36	C40	C44	C48
Differenziale/Logica / <i>Differential/Logic</i>	C37	C41	C45	C49

8.1 Descrizione DIPENDENZA: C34, C38, C42, C46

È il parametro che determina la specifica funzione di ciascuna uscita. Lega una uscita a un set-point (uscita di regolazione) o a un allarme specifico (uscita di allarme). DIPENDENZA si identifica con C34 per l'OUT1, C38 per l'OUT2, C42 per l'OUT3 e C46 per l'OUT 4: i possibili valori sono sintetizzati nella tabella successiva.

8. Special mode of operation

Setting **C33=1** allows you to make use of other 16 parameters (from C34 to C49) to program your IR controller. Each output can be given 4 parameters, as specified below:

Special parameters and outputs

8.1 DEPENDENCE: C34, C38, C42, C46

DEPENDENCE determines the specific function of each single output. This parameter links the output to a specific set-point (control output) or to a specific alarm (alarm output). Dependence corresponds to C34 for out1, C38 for OUT2, C42 for OUT3, C46 for OUT4. The table below shows the values which can be given to dependence.

Valore di DIPENDENZA <i>Dependence Value</i>	Tipo di dipendenza <i>Type of Dependence</i>	Stato del relè di allarme in condizioni normali <i>Alarm relay in normal operating conditions</i>
0	non attiva / <i>idle</i>	–
1	relativa a St1 / <i>refers to St1</i>	–
2	relativa a St2 / <i>refers to St2</i>	–
3	attiva in caso di allarme generico <i>active in the event of general alarm</i>	OFF
4	attiva in caso di allarme generico <i>active in the event of general alarm</i>	ON
5	attiva in caso di allarme grave e in caso di allarme di "Alta" (Er4) <i>active in the event of serious alarm and HIGH temperature alarm (Er4)</i>	OFF
6	attiva in caso di allarme grave e in caso di allarme di "Alta" (Er4) <i>active in the event of serious alarm and HIGH temperature alarm (Er4)</i>	ON
7	attiva in caso di allarme grave e in caso di allarme di "Bassa" (Er5) <i>active in the event of serious alarm and LOW temperature alarm (Er5)</i>	OFF
8	attiva in caso di allarme grave e in caso di allarme di "Bassa" (Er5) <i>active in the event of serious alarm and LOW temperature alarm (Er5)</i>	ON
9	attiva in caso di allarme di "Bassa" (Er5) <i>active in the event of LOW temperature alarm (Er5)</i>	OFF
10	attiva in caso di allarme di "Bassa" (Er5) <i>active in the event of LOW temperature alarm (Er5)</i>	ON
11	attiva in caso di allarme di "Alta" (Er4) <i>active in the event of HIGH temperature alarm (Er4)</i>	OFF
12	attiva in caso di allarme di "Alta" (Er4) <i>active in the event of HIGH temperature alarm (Er4)</i>	ON
13	attiva in caso di allarme grave <i>active in the event of serious alarm</i>	OFF
14	attiva in caso di allarme grave <i>active in the event of serious alarm</i>	ON
15	funzionamento TIMER / <i>TIMER function</i>	–

OFF= normalmente disattivata; viene eccitata in caso di allarme

ON= normalmente attiva; viene diseccitata in caso di allarme

OFF= normally disenergized; energizes in the event of off-normal condition

ON= normally energized; disenergizes in the event of off-normal condition

Avvertenze:

- con DIPENDENZA=0 l'uscita non è abilitata: è il valore impostato nelle versioni V e W per le uscite non presenti (ovvero 2, 3 e 4 per le versioni V, 3 e 4 per le versioni W).
- Con DIPENDENZA=1 e 2 l'uscita è di REGOLAZIONE: fa riferimento rispettivamente a St1/P1 e St2/P2. Con i successivi parametri speciali, TIPO DI USCITA, INSERZIONE e DIFFERENZIALE/LOGICA sarà possibile definire completamente il funzionamento dell'uscita.
- Con DIPENDENZA=3, 4, ..., 14 l'uscita è associata ad uno o più allarmi. Per 'gravi' si intendono tutti gli allarmi esclusi quelli di "Alta" (Er4) e "Bassa" (Er5); cioè l'allarme sonda principale (Er0), l'allarme sonda NTC2 (Er1), l'allarme ingresso digitale (Er3). Si ricorda che l'allarme dati in memoria (Er2), genera in ogni caso il blocco totale del regolatore.
- Nella 3a colonna è indicata la logica dell'uscita di allarme. Con ON il relè è normalmente attivo: viene disattivato in caso di allarme. Si tratta di un funzionamento a sicurezza intrinseca in quanto il contatto commuta, e quindi segnala allarme, anche nel caso di eventuali cadute di tensione, guasti gravi al controllore o di allarme Er2.
- Con DIPENDENZA=15 l'uscita diventa a funzionamento ciclico, che chiamiamo TIMER: si rimanda al paragrafo successivo per spiegazioni più dettagliate.

8.2 Funzionamento TIMER

Con DIPENDENZA=15, l'uscita diventa indipendente dalla misura, set, differenziali, ecc. e continua a commutare periodicamente con periodo=C12 (T ciclo). Il tempo di ON (T ON) è definito dal parametro INSERZIONE come percentuale del tempo di ciclo impostato. Se si verifica una situazione di allarme o il controllo viene posto in stato di OFF, il funzionamento TIMER viene disattivato. Per ulteriori informazioni si rimanda alla descrizione dei parametri TIPO DI USCITA, INSERZIONE e all'esempio 8 trattato a pag. 45.

8.3 Descrizione TIPO DI USCITA: C35, C39, C43, C47

Vale se l'uscita è di regolazione (DIPENDENZA=1,2) oppure TIMER, (DIPENDENZA=15).

TIPO DI USCITA si identifica con C35 per l'OUT1, C39 per l'OUT2, C43 per l'OUT3 e C47 per l'OUT4.

L'uscita di regolazione può essere di tipo ON/OFF o PWM:

TIPO DI USCITA=0 l'uscita è ON/OFF;

TIPO DI USCITA=1 l'uscita è PWM (o TIMER).

Fuorionamento TIMER abbinato a DIPENDENZA=15.

Per ulteriori spiegazioni del significato PWM si veda la descrizione del Modo 4, a pagina 7. Si ricorda che il tempo di ciclo PWM è selezionato con il parametro C12.

8.4 Descrizione INSERZIONE: C36, C40, C44, C48

Questo parametro è attivo solo se l'uscita è abilitata per la regolazione, ovvero DIPENDENZA=1, 2 oppure TIMER con DIPENDENZA=15. INSERZIONE si identifica con C36 per l'OUT1, C40 per l'OUT2, C44 per l'OUT3 e C48 per l'OUT4. Con DIPENDENZA=1 o 2 esso rappresenta, nel caso di funzionamento ON/OFF, il punto di attivazione dell'uscita mentre, nel caso di funzionamento PWM, indica il punto in cui l'uscita assume il valore massimo. Il parametro INSERZIONE è espresso in valore percentuale, varia da -100 a +100 e fa riferimento al differenziale di lavoro e al set-point da cui dipende l'uscita. Se l'uscita è riferita a St1 (DIPENDENZA=1) INSERZIONE è relativo al valore percentuale di P1; se l'uscita è riferita a St2 (DIPENDENZA= 2), INSERZIONE è relativo al valore percentuale di P2. Se il valore di INSERZIONE è positivo, il punto di attivazione è a 'destra' del set-point, se negativo è a 'sinistra'.

Important:

- If *DEPENDENCE*=0 the output remains idle. This is the factory-set value in models V and W which lack the following outputs: no. 2, 3, 4 for V models; no. 3 and 4 for W models.
- If *DEPENDENCE*=1 and 2, the *CONTROL* output refers to St1/P1 and to St2/P2 respectively. The other features as *TYPE OF OUTPUT*, *ENERGIZATION* and *DIFFERENTIAL/LOGIC* will contribute to specify the output function.
- If *DEPENDENCE*=3, 4, ..., 14 the output is associated with one or more *ALARMS*. When talking about "serious" alarms, we mean all alarms
- Er0, Er1, Er3 - except high temperature alarm (Er4) and low temperature alarm (Er5). In the event of data memory alarm (Er2) the unit will block immediately.
- The third column of the table above shows the logic of the alarm output. When On, the relay is normally energized but disenergizes in the event of off-normal condition (power fluctuation, serious damage to the controller, Er2 alarm).
- If *DEPENDENCE*=15, the output assumes a cyclic logic (*TIMER*); see paragraph below.

8.2 TIMER

If *DEPENDENCE*=15 the output is independent from set-point, differential, etc. In fact the output operates as a timer with period (T cycle)=C12; the On time (T On) is a percentage of the set time and is defined by the parameter *ENERGIZATION*. In the event of off-normal condition or when the controller is forced into the off status, the *TIMER* will be disabled. For further information see 'Type of Output' and 'Energization' below (page 45).

8.3 TYPE OF OUTPUT: C35, C39, C43, C47

Valid with control outputs only (*DEPENDENCE*=1, 2) or Timer (*DEPENDENCE*=15).

The *TYPE OF OUTPUT* corresponds to C35 for OUT1, C39 for OUT2, C43 for OUT3 and C47 for OUT 4.

The control output can be either ON-OFF or PWM:

TYPE OF OUTPUT=0 ON-OFF output

TYPE OF OUTPUT=1 PWM output (or timer)

For further information on PWM mode see 'Mode 4'. The PWM cycle is set through the C12 parameter.

8.4 ENERGIZATION: C36, C40, C44, C48

This parameter operates only with control outputs, that is when *DEPENDENCE*=1, 2, or when *DEPENDENCE*=15 (Timer). *ENERGIZATION* corresponds to C36 for OUT1, C40 for OUT2, C44 for OUT3 and C48 for OUT4. In the ON/OFF mode of operation, *DEPENDENCE*=1 or 2 determines the energization point of the output, whilst in the PWM logic, it determines the point when the output assumes its max. value. *ENERGIZATION* is a percentage ranging from -100 to +100; it refers to the differential and set-point of the output. If the output is related to St1 (*DEPENDENCE*=1), *ENERGIZATION* will depend on the percentage value of P1; if the output is related to St2 (*DEPENDENCE*=2), *ENERGIZATION* will depend on the percentage value of P2. If *ENERGIZATION* is a positive value, the energization point will stand on the right of the set-point; if it is negative, the energization point will stand on the left of the set-point.

TIMER: con DIPENDENZA=15 e TIPO DI USCITA=1, il parametro INSERZIONE definisce il tempo di ON come percentuale del periodo (C12); in questo caso INSERZIONE deve assumere solo valori positivi (tra 1 e 99).

Esempio 7: INSERZIONE

Nel figura sottostante sono raffigurati i punti di intervento di un controllo con 2 uscite, con questi parametri di lavoro:
 St1=10, St2=20, P1=P2=6
 OUT1 (punto A): DIPENDENZA=C34=1, INSERZIONE= C36=-100;
 OUT2 (punto B): DIPENDENZA=C38=2, INSERZIONE= C40= +75.

TIMER: when DEPENDENCE=15 and type of output=1, ENERGIZATION defines the On time as a percentage of C12; in this case ENERGIZATION will assume positive values only (1-99).

Example no. 7: ENERGIZATION

The diagram below shows the energization points of a two-output controller with the following setting:
 St1=10, St2=20, P1=P2=6
 OUT1 (point A): DEPENDENCE=C34=1, ENERGIZATION=C36= -100;
 OUT2 (point B): DEPENDENCE=C38=2, ENERGIZATION=C40=+75.

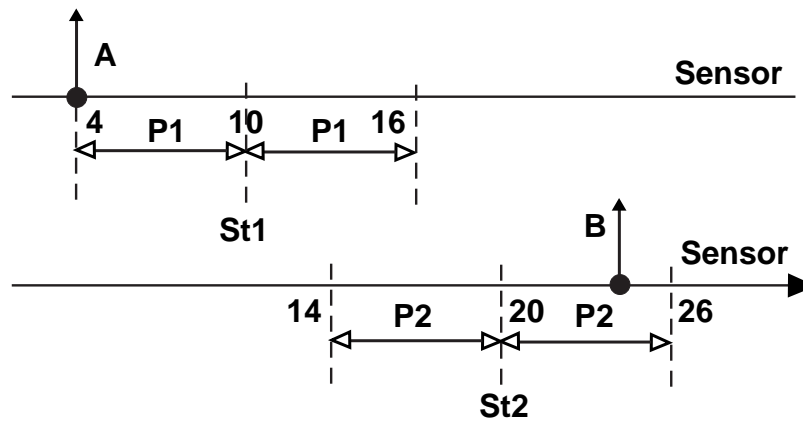


Fig.28

Esempio 8: Timer

Un'uscita TIMER è selezionata da DIPENDENZA=15, TIPO DI USCITA=1 e da INSERZIONE (percentuale ON) compresa tra 1 e 99 in un tempo ciclico fissato da C12 (s). Qui sotto vengono proposte OUT1 e OUT2 come uscite TIMER con C36 maggiore di C40, esempio:
 OUT1 C34=15, C35=1, C36=50;
 OUT2 C38=15, C39=1, C40=25.

Example no. 8: Timer

TIMER is given by DEPENDENCE=15, TYPE OF OUTPUT=1 and ENERGIZATION ranging between 1 and 99 in a cyclic time set by C12 (s). The graph below shows OUT1 and OUT2 working as TIMER outputs with $C36 > C40$:
 OUT1 C34=15, C35=1, C36=50;
 OUT2 C38=15, C39=1, C40=25.

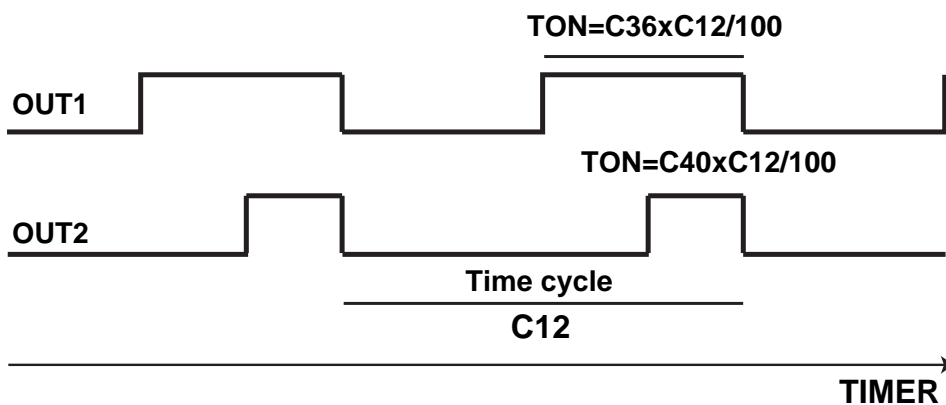


Fig.29

8.5 Descrizione DIFFERENZIALE/LOGICA: C37, C41, C45, C49

Questo parametro è attivo solo se l'uscita è abilitata per la regolazione, ovvero DIPENDENZA=1 o 2. DIFFERENZIALE/LOGICA si identifica con C37 per l'OUT 1, C41 per l'OUT 2, C45 per l'OUT 3 e C49 per l'OUT 4. Esso permette di definire l'isteresi dell'uscita ovvero, nel caso di funzionamento ON/OFF, il punto di spegnimento dell'uscita o, nel caso di funzionamento PWM, il punto in cui l'uscita assume il valore minimo (tempo di ON=0):

DIFFERENZIALE/LOGICA con il parametro precedente, INSERZIONE identifica la banda proporzionale di regolazione. Il parametro DIFFERENZIALE/LOGICA è espresso in valore percentuale, varia da -100 a +100 del differenziale di lavoro e, cosa importante da ricordare, è legato al punto di 'attacco' definito da INSERZIONE (si ricorda che INSERZIONE invece è legato al set). Il suo valore è il reale valore in percentuale del differenziale dell'uscita in esame. Va da sé che:

- se l'uscita è riferita a St1 (DIPENDENZA= 1) DIFFERENZIALE /LOGICA è relativo al valore di P1; se l'uscita è riferita a St2 (DIPENDENZA= 2) DIFFERENZIALE/LOGICA è relativo al valore di P2.
- con DIFFERENZIALE/LOGICA positivo il punto di disattivazione è superiore al punto di attacco e si crea una logica di tipo Reverse. Viceversa, con DIFFERENZIALE/ LOGICA negativo, il punto di disattivazione è a livello inferiore del punto di attacco, si crea una logica di tipo Direct.

Nota: come per il parametro INSERZIONE, anche per DIFFERENZIALE/LOGICA la scelta di un valore percentuale è stata dettata dall'esigenza di poter creare la logica della regolazione. L'utente per modificare i punti di attacco e di stacco non dovrà intervenire direttamente su questi parametri ma sul set-point e/o differenziale.

Esempio 9:

Nel disegno viene completato l'esempio 7 aggiungendo i punti di disattivazione A' e B'. Per la prima uscita si richiede un funzionamento Reverse e il differenziale pari a P1; per la seconda una logica Direct e il differenziale pari a metà P2.

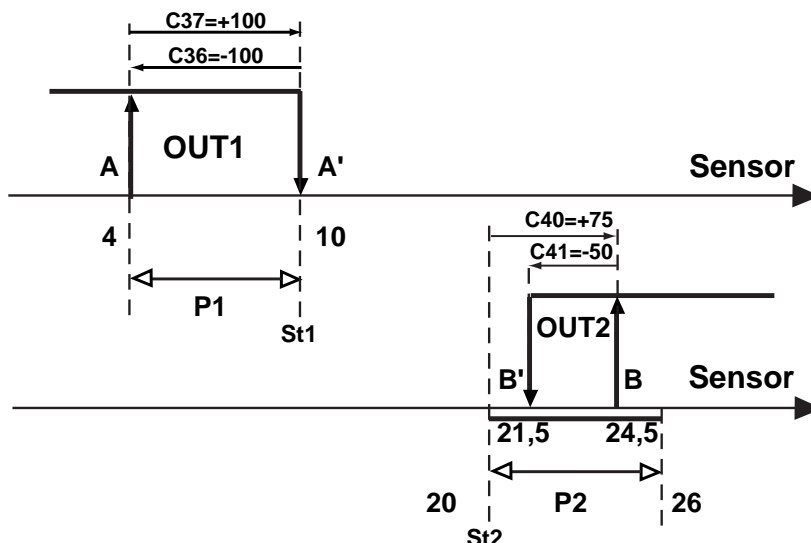


Fig.30

8.5 DIFFERENTIAL/LOGIC: C37, C41, C45, C49

This parameter operates only with control outputs, that is when DEPENDENCE=1 or 2. DIFFERENTIAL/LOGIC corresponds to C37 for OUT1, C41 for OUT2, C45 for OUT3 and C49 for OUT4. DIFFERENTIAL/LOGIC determines the hysteresis of the output, that is, in ON/OFF logic, the disenergisation point of the output, and, in PWM logic, the minimum value of the output (ON time=0):DIFFERENTIAL/LOGIC, as well as ENERGIZATION, identifies the proportional control zone. Differential/Logic is a percentage ranging from -100 to +100 of the operating differential and it is linked to the energization point defined by ENERGIZATION (ENERGIZATION is linked to the set-point). Its value corresponds to the real value (in percentage) of the relevant output differential. So:

- If the output is related to St1 (DEPENDENCE=1), DIFFERENTIAL/LOGIC depends on P1; if the output is related to St2 (DEPENDENCE=2),
- DIFFERENTIAL/LOGIC depends on P2. When Differential/logic is given a positive value, the disenergization point is higher than the activation point (REVERSE logic). Viceversa, when Differential/Logic is a negative value, the disenergization point is lower than the activation point (DIRECT logic).

Important: as for ENERGIZATION, DIFFERENTIAL/LOGIC allows you to define the operating logic (Direct or Reverse) by giving this parameter a percentage value. This ensure an easy and straightforward modification of the energization/disenergization points by simply modifying set-point and/or differential.

Example no. 9:

The graph below completes example no. 7 above with the addition of disenergization points A' and B'. The first output operates in the Reverse mode with differential=P1. The second output operates in the Direct mode with differential=P2.

I parametri di funzionamento sono:

St1=10, St2=20, P1=P2=6

OUT1: DIPENDENZA=C34=1, e INSERZIONE=C36= -100 (A), DIFFERENZIALE/LOGICA=C37=+100 (A')

OUT2: DIPENDENZA=C38=2 e INSERZIONE=C40= +75 (B), DIFFERENZIALE/LOGICA=C41= -50 (B').

A titolo esemplificativo, vediamo cosa succede alla logica di regolazione dell'esempio precedente invertendo i valori di DIFFERENZIALE/LOGICA per le due uscite, ovvero ponendo C37= -50 e C41=+100. A'' e B'' sono i nuovi punti di disinserzione.

Operating parameters:

St1=10, St2=20, P1=P2=6

OUT1: DEPENDENCE=C34=1, ENERGIZATION=C36= -100 (A), DIFFERENTIAL/LOGIC=C37=+100 (A')

OUT2: DEPENDENCE=C38=2, ENERGIZATION=C40= +75 (B), DIFFERENTIAL/LOGIC=C41= -50 (B')

Let's analyse what happens by inverting the DIFFERENTIAL/LOGIC values of the two outputs, that is, C37= -50 and C41=+100. A'' and B'' are the two new disenergization points.

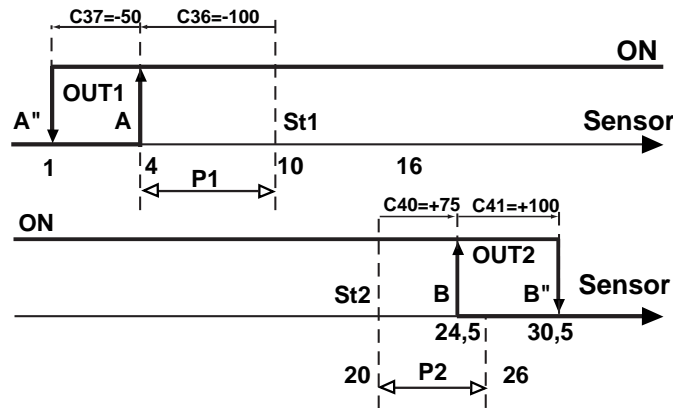


Fig.31

8.6 Note integrative al funzionamento speciale

1- Zona neutra P3

Nei Modi 3, 4 e 5 è presente una zona neutra la cui dimensione è definita da P3. All'interno della zona morta non possono essere posizionati punti di attivazione o disattivazione: se questi sono individuati in zone precedenti e successive al Set lo strumento provvede automaticamente ad aumentare l'isteresi dell'uscita interessata del valore doppio di P3. Un esempio è riportato nel disegno sottostante:

8.6 Further information on the special mode of operation

1 - Neutral zone P3:

In Modes 3, 4, 5 there is a neutral zone whose range depends on the value given to P3. Within the neutral zone there are no energisation/disenergisation points. In the event of energisation/disenergisation points beyond the set-point range, the controller will automatically develop corrective action, increasing the output hysteresis by two times of P3 as shown in the graph below:

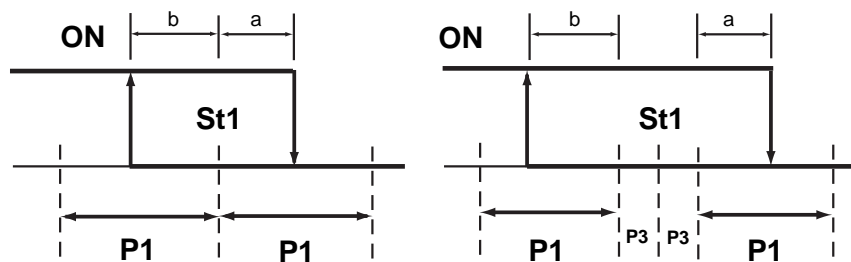


Fig.32

- Eventuali uscite PWM (o analogiche) sovrapposte al set e quindi alla zona Neutra avranno il funzionamento indicato in figura. In pratica nella zona neutra l'uscita mantiene inalterato il livello di attivazione.

- In the event of PWM (or analogue) outputs overlaying the set-point and the neutral zone, the operating logic will be as follows (within the neutral zone the output maintains the energization point unchanged):

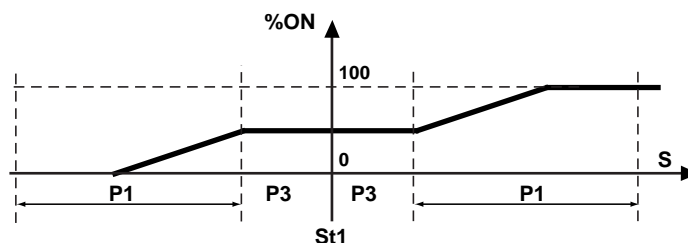


Fig.33

2- Nei Modi 3, 4 e 5, ponendo C33=1 la regolazione si sdoppia come rappresentato in figura 34 per la versione Z. Questo perché al fine di ottenere differenziali distinti per le uscite Direct e Reverse, i modi 3, 4 e 5 fissano in origine la dipendenza (DIPENDENZA) a St1 per le uscite Reverse e a St2 per le uscite Direct utilizzando così i due differenziali P1 e P2. St2 non è visibile e viene imposto sempre uguale a St1. Questo non è più vero con C33=1: St2 è visibile e svincolato richiedendo di essere impostato dall'utente.

2 - In Modes 3, 4 and 5, if C33=1, the control action modifies as shown in the graph below (fig. 34), for Z model.

Modes 3, 4, 5 determine Dependence=St1 for Reverse outputs and DEPENDENCE=St2 for Direct outputs so as to get different differentials. St1 always corresponds to St2 except when C33=1. In this case St2 can be displayed and has to be set by the User.

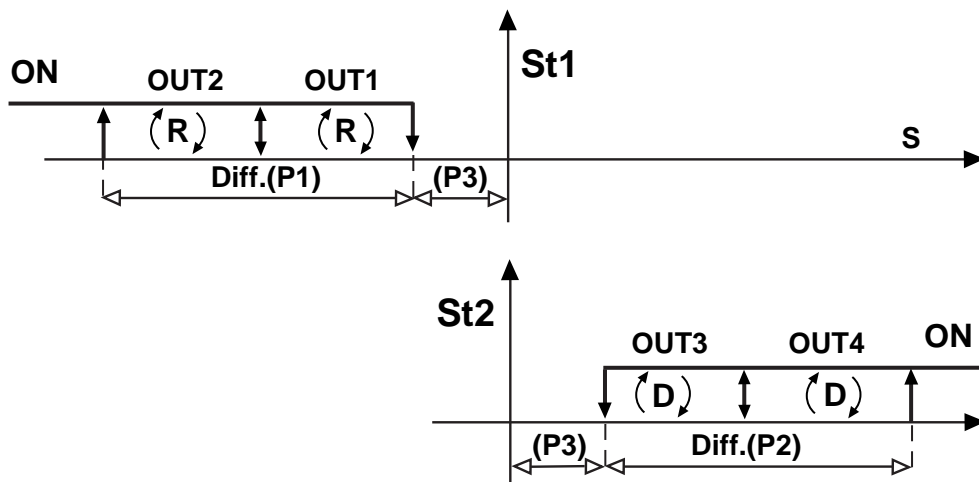


Fig.34

3- Il Modo 6 dispone le uscite legate a St1 con logica Direct (INSERZIONE positivi e DIFFERENZIALE/LOGICA negativi) con contatto digitale aperto. La chiusura del contatto all'ingresso digitale forza le uscite a dipendere da St2 e P2 e la logica diventa Reverse grazie all'inversione di segno dei parametri INSERZIONE e DIFFERENZIALE/LOGICA (un'eventuale verifica del valore dei parametri non dipende dallo stato dell'ingresso digitale: essi cambiano solo a livello di algoritmo). Posto **C33=1**:

3 - In Mode 6, when the digital contact is open, the outputs will depend on St1 and will operate in the DIRECT logic (ENERGIZATION positive and DIFFERENTIAL/LOGIC negative). Closing the contact causes the outputs to depend on St2 and P2; the operating logic will be Reverse because the sign of ENERGIZATION and DIFFERENTIAL/LOGIC has changed.

When **C33=1**:

- possono essere programmate uscite Direct e Reverse tramite INSERZIONE e DIFFERENZIALE/LOGICA. La logica costruita è valida a contatto aperto, si invertono le singole logiche con la chiusura del contatto, con l'avvertenza che segue:
- se si seleziona DIPENDENZA=2 l'uscita relativa sarà sempre legata a St2/P2; in pratica non cambia la DIPENDENZA al commutare dell'ingresso digitale. Continuerà invece a cambiare la logica da Direct a Reverse, ovvero vengono sempre invertiti i segni dei parametri INSERZIONE e DIFFERENZIALE/LOGICA. La figura sottostante rappresenta un esempio di quanto sopra descritto. Le uscite di allarme (DIPENDENZA=3, 4...14), non dipenderanno dall'ingresso digitale.

- you can program Direct and Reverse outputs by ENERGIZATION and DIFFERENTIAL/LOGIC when the contact is OPEN. The logic changes when the contact closes. In this case note that:
- if DEPENDENCE=2 the relative output will always be linked to St2/P2 (the DEPENDENCE does not change when the digital input status changes). The operating logic, however, will continue to change, from direct to reverse as the signs of ENERGIZATION and DIFFERENTIAL are continually being inverted. In the graph below the alarm outputs (Dependence=3, 4,...,14) do not depend on the digital input:

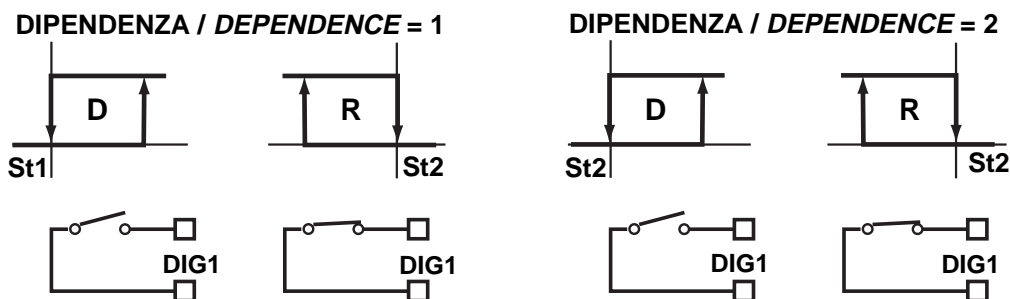


Fig.35

4- Modi 7 e 8. Per le uscite con DIPENDENZA=2 la commutazione dell'ingresso digitale non avrà più alcun effetto sul set di lavoro che rimane St2 ne tantomeno sulla logica (questi modi infatti non prevedono modifiche alla logica). Le uscite di allarme (DIPENDENZA=3, 4...14), non dipenderanno dall'ingresso digitale.

5- Modi 1 e 2 in funzionamento differenziale (C19=1)
Nel funzionamento differenziale St1 deve confrontarsi con 'NTC1-NTC2' anziché con NTC1. In funzionamento speciale (C33=1) le uscite si possono programmare con DIPENDENZA=2: perdono così il funzionamento differenziale e sono legate a St2/P2 confrontandosi con NTC1. Con DIPENDENZA=3, 4...14 si ottiene una uscita di allarme: gli allarmi di "Alta" (Er4) e di "Bassa" (Er5) sono sempre riferiti alla sonda principale NTC1.

6- Modi 1 e 2 con funzionamento COMPENSAZIONE (C19=2, 3, 4)
Analogamente al caso precedente, con C33=1 le uscite con DIPENDENZA 2 saranno legate a St2/P2; la regolazione è sul confronto di NTC1 senza la compensazione in funzione della sonda NTC2. Con DIPENDENZA=3, 4...14 si ottiene una uscita allarme che si confronta con la sonda principale NTC1.

Visualizzazione: con C33=1 lo strumento visualizza sempre i parametri St2, P2 e P3 non previsti inizialmente dal Modo in uso.

Rotazione: con C33=1 viene inibito qualsiasi tipo di rotazione (solo per numero di serie < 100.000).

Nota per la nuova versione

Nelle versioni con numero di serie superiore a 100.000 vengono mantenute le rotazioni previste (vedere parametro C11, pag. 23).

4 - Modes 7 and 8: when outputs have DEPENDENCE=2, changing the status of the digital input will not have any effect on the set-point (St2) nor on the operating logic. Alarm outputs (DEPENDENCE=3,4,...,14) will NOT depend on the digital input.

5 - Modes 1 and 2 with DIFFERENTIAL function (C19=1)
In the differential function St1 will be compared with 'NTC1-NTC2' instead of NTC1. In the special mode of operation (C33=1), if DEPENDENCE=2, the differential function will be lost and the outputs will depend on St2 and P2 that operate according to the value of NTC1. When DEPENDENCE=3, 4,...14, you will get an alarm output: both high temperature alarms (Er4) and low temperature alarms (Er5) will refer to the main sensor NTC1.

6- Modes 1 and 2 with OFFSET function (C19= 2, 3, 4)
Similarly to the previous case, when C33=1 and DEPENDENCE=2 the outputs will refer to St2/P2; the control action will be based on NTC1 without the offset related to NTC2. If DEPENDENCE=3, 4...14 the value of the alarm output will depend on the main sensor NTC1.

Display: when C33=1, the controller will always display St2, P2 and P3.

Rotation: when C33=1 there is no rotation (only for versions having serial number < 100,000).

Important:

In versions having serial number above 100,000, the rotation will be maintained (see C11 on page 23).

8.7 Suggerimenti per scegliere il Modo di partenza

Come anticipato, C33 offre la possibilità di creare una logica di funzionamento personalizzata. La logica che si crea può essere una semplice modifica o uno stravolgimento di uno dei nove modi. In ogni caso una logica nuova si basa su un Modo di partenza con **funzioni caratteristiche** che possono essere così riassunte:

- **Modi 1, 2, 9:** sono tra loro equivalenti. Non prendono in considerazione la zona neutra P3 né la commutazione della logica da ingresso digitale.
- **Modi 3, 4, 5:** sono tra loro equivalenti. Rendono attivo il differenziale di zona neutra P3. Non prevedono la commutazione della logica da ingresso digitale.
- **Modo 6:** non considera il differenziale P3. Per le uscite di regolazione con DIPENDENZA=1 l'ingresso digitale attua la commutazione a St2 con logica invertita (l'uscita dipenderà da St2 con l'inversione dei segni INSERZIONE e DIFFERENZIALE/LOGICA, ovvero con l'inversione della logica Direct/Reverse e viceversa).

Per le uscite con DIPENDENZA=2 è attivo solamente lo scambio di logica ovvero la chiusura del contatto digitale mantiene la DIPENDENZA=2 (St2) ma inverte la logica scambiando i segni di INSERZIONE e DIFFERENZIALE/LOGICA.

- **Modi 7, 8:** sono equivalenti. Non è valido P3. L'ingresso digitale opera per le sole uscite di regolazione con DIPENDENZA=1 lo spostamento del riferimento da St1/P1 a St2/P2, mantenendo la logica della regolazione (INSERZIONE e DIFFERENZIALE/LOGICA non cambiano segno). L'ingresso digitale non ha alcuna funzione sulle altre uscite di regolazione, ovvero con DIPENDENZA=2 e di allarme.

Nota: con modi equivalenti si ottengono identiche funzioni. Vale a dire che a parità di impostazione dei vari parametri speciali la logica che si ottiene sarà identica. Cambiano ovviamente i valori di partenza da modificare: questo è l'unico motivo per preferire un Modo di partenza rispetto al suo equivalente.

Prima di selezionare C33=1: qualora sia individuato un Modo di partenza diverso da C0=2 di fabbrica, questo dovrà essere impostato prima di abilitare il funzionamento speciale (C33=1): **è necessario memorizzare la modifica di C0 premendo PRG.**

Con C33=1 la modifica di C0 non attiva più alcuna modifica ai parametri speciali. Ovvero, è fattibile la modifica di C0 ma la reimpostazione dei parametri speciali (da C34 a C49) e le funzioni caratteristiche sono congelati al Modo precedente a C33=1: se per i parametri si può ricorrere alla singola impostazione, le funzioni caratteristiche non sono attivabili. Concludendo, solo dopo aver impostato e salvato il Modo di partenza si rientrerà in modifica parametri per porre C33=1.

Nel caso sia necessario modificare il Modo dopo che C33 è stato posto a 1 è necessario riportare C33=0, premere il tasto PRG per conferma, impostare il Modo desiderato e registrare la modifica (PRG), ritornare quindi in funzionamento speciale con C33=1.

Riportando C33 da 1 a 0 il regolatore annulla tutte le modifiche sui 'parametri speciali' che torneranno ad assumere i valori dettati da C0.

8.7 Hints for choosing the right Mode

C33 allows you to customize the operating mode of your controller by simply modifying some of the factory-set parameters or one of the nine operation Modes. The new operating logic has **specific features** that can be summarized as follows:

- **Modes 1, 2, 9:** they are equivalent. They do not take into consideration nor the neutral zone P3 or the switchover via digital input.
- **Modes 3, 4, 5:** they are equivalent. They operate the differential of the neutral zone P3. No switchover via digital input.
- **Mode 6:** differential P3 is not taken into consideration. For control outputs with DEPENDENCE=1, the digital input switches over St2 with inverted logic (the output will depend on St2, ENERGIZATION and DIFFERENTIAL/LOGIC will change their signs thus changing the operating logic, from Direct/Reverse and viceversa).

With outputs having DEPENDENCE=2, the switchover is maintained (closing the digital contact maintains DEPENDENCE=2 (St2) but inverts the logic by changing the signs of ENERGIZATION and DIFFERENTIAL/LOGIC).

- **Modes 7, 8:** are equivalent. P3 is not valid. The digital input operates exclusively on the control outputs with DEPENDENCE=1 changing from St1/P1 to St2/P2. The control action remains as it is (ENERGIZATION and DIFFERENTIAL/LOGIC do not change their sign). The digital input does not affect the other control and alarm outputs (DEPENDENCE=2).

Important: equivalent modes produce equivalent functions (operating logic). What makes you prefer one mode instead of another are the starting values to be modified.

Before setting the special mode of operation C33=1 select the desired Mode of operation you want to use instead of the factory-set one (C33=1). **Press PRG to store the modification of the C0 parameter.**

Once you have set C33=1, modifying C0 does not permit any modification of the special parameters. Should you need to modify the MODE after having set C33=1, you have to reset C33 to 0, press PRG to confirm, select the new Mode and press PRG again to confirm the new value. Then return to the special mode of operation by setting C33=1.

Remember that when changing C33 from 1 to 0, all the modifications concerning the 'special parameters' will be lost. The special parameters will be automatically given values as determined by C0.

8.8 Esempi di utilizzo del funzionamento speciale

Esempio 10

In un'applicazione di raffreddamento si vuole avere l'isteresi centrata sul set-point St1.

Soluzione: ciò è possibile partendo dal Modo 1 modificando il parametro INSERZIONE. Il controllo ha di default C0=2, quindi porre C0=1 ed uscire dalla programmazione premendo PRG. Rientrare in programmazione con P.W.77 apportando queste modifiche: C33=1 (funzionamento speciale), DIPENDENZA=C34 e TIPO DI USCITA=C35 restano invariati, rispettivamente a 1 e 0.

Il punto di attacco INSERZIONE=C36 deve passare da +100 a +50; il punto di stacco DIFFERENZIALE/LOGICA=C37 rimane invariato a -100. In figura 36 è raffigurata la nuova logica ottenuta.

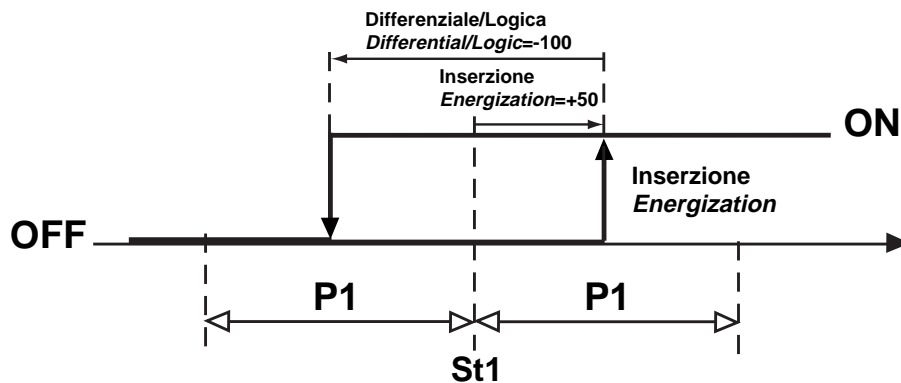


Fig.36

Esempio 11

Si deve gestire una unità refrigerante avente due compressori il primo di taglia doppia rispetto al secondo. In particolare, è richiesto che il compressore più potente parta sempre per primo ed abbia un differenziale di lavoro doppio rispetto al secondo compressore.

Soluzione: il Modo di partenza può essere uno dei modi 1, 2, 9 Si ricordi che il controllo ha di serie C0=2. Utilizzando C0=2 entrando con P.W.77, si andrà a modificare C33=1. Supposto di usare un controllo con due uscite, le modifiche da apportare a INSERZIONE e DIFFERENZIALE/LOGICA sono:

OUT1

DIPENDENZA=C34 invariato a 1
TIPO DI USCITA=C35 invariato a 0
INSERZIONE=C36 +66
DIFFER./LOGICA=C37 -66

OUT2

DIPENDENZA=C38 invariato a 1
TIPO DI USCITA=C39 invariato a 0
INSERZIONE=C40 +100
DIFFER./LOGICA=C41 -34.

In figura 37 è rappresentata la nuova logica di funzionamento.

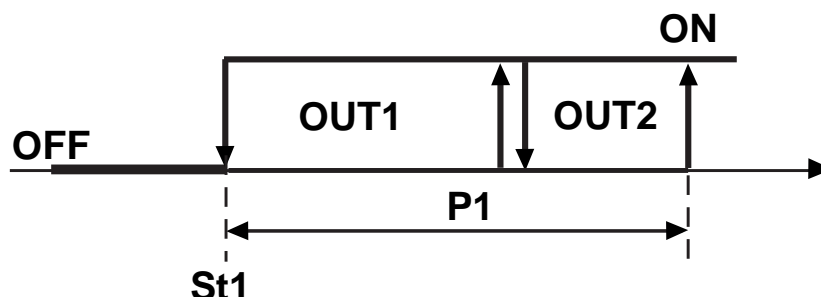


Fig.37

8.8 Some examples about the "Special Mode of Operation"

Example no. 10

Setting the hysteresis around the Set-point (St1) in a central position in a refrigeration system.

Solution: set Mode 1 and modify parameter ENERGIZATION. As the factory-set value of C0 is 2, it is necessary to set C0=1. Exit the programming field by pressing PRG, then enter again (password 77) and modify the parameters as follows: C33=1 (special mode of operation), DEPENDENCE=C34 and TYPE OF OUTPUT=C35.

The energization point (ENERGIZATION=C36) must be decreased, from +100 to +50; the disenergization point (DIFFERENTIAL/LOGIC=C37) remains unchanged (-100). The graph below shows how the controller works:

Example no. 11:

Control and regulation of a refrigeration system equipped with two compressors of different capacity. Specifically, the first compressor is twice the size of the second one. In addition, the most powerful compressor should always be the first to be actuated and its differential should be twice the range of the second one.

Solution: the starting mode can be 1, 2, 9 (factory-set C0=2).

If C0=2, digit password 77 and set C33=1.

Supposing you are using a two-output controller, modify ENERGIZATION and DIFFERENTIAL/LOGIC as follows:

OUT1

DEPENDENCE=C34 unchanged (1)
TYPE OF OUTPUT=C35 unchanged (0)
ENERGIZATION=C36 +66
DIFFER./LOGIC=C37 -66

OUT2

DEPENDENCE=C38 unchanged (1)
TYPE OF OUTPUT=C39 unchanged (0)
ENERGIZATION=C40 +100
DIFFER./LOGIC=C41 -34.

The diagram below shows the new control logic:

Esempio 12

Si riprende la soluzione 1b di pag. 30 visto con il parametro C19. L'obiettivo è abbassare l'acqua di ingresso di 5°C (T2 deve essere 5°C inferiore a T1). La sonda principale è posta in uscita (T2 =NTC1).

Si vogliono soddisfare queste ulteriori specifiche:

- la temperatura in uscita T2 deve mantenersi sopra gli 8°C;
- se T2 resta sotto i 6°C per più di un minuto deve essere segnalato un allarme di "Bassa" temperatura.



Soluzione: si utilizzerà un controllo a 4 uscite (IRxxZ); si sfrutteranno due uscite per la regolazione (OUT3 e OUT4), e una per la remotazione dell' allarme (OUT1). L'uscita OUT2 sarà utilizzata per disattivare le uscite OUT3 e OUT4 quando T2 < 8°C. Per far ciò è sufficiente, a livello di collegamento elettrico, porre OUT2 in serie con OUT3 e OUT4, quindi rendere attiva OUT2 solo quando NTC1 (T2) è superiore a 8°C; (vedere schema sottostante fig. 39).

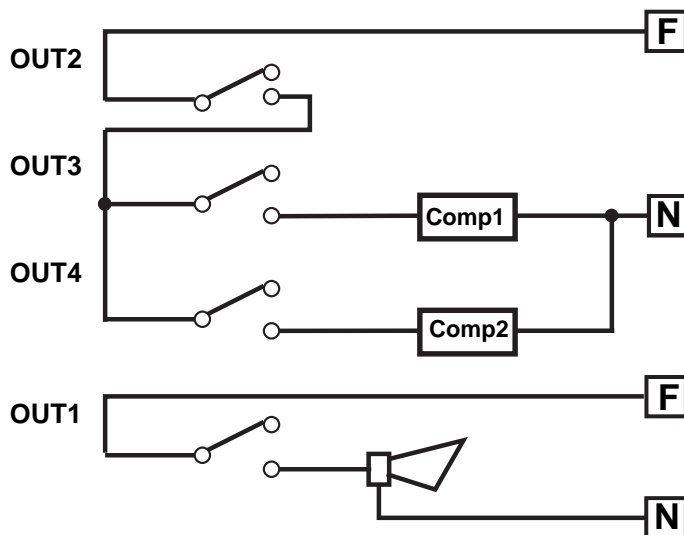


Fig.39

I principali parametri riprendono la soluzione 1b di pag. 29:

The main parameters to be set are:

Set-point	St1=-5
MODO / MODE	C0=1
differenziale totale per le due uscite / Total differ. for both outputs	P1=2
funzionamento DIFFERENZIALE / DIFFERENTIAL function	C19=1
allarme di "Bassa" a 6°C / LOW temp. alarm at 6°C	P25=6
con ritardo di 1 minuto / one minute's delay	P28=1 (min).

Il differenziale dell'allarme (P27) sarà selezionato "stretto" se si vuole Reset automatico o "largo" se si vuole Reset manuale. Impostati questi parametri è necessario uscire dalla programmazione, premendo PRG, in modo da salvare i nuovi valori prima di attivare il funzionamento "speciale" (C33=1). Rientrando con P.W.77 si attiverà C33=1: le modifiche da apportare ai parametri speciali sono:

Example no. 12

You want to lower the inlet water temperature by 5°C in an application similar to that illustrated in the example 1b on page 30 (parameter C19). T2 must be 5°C lower than T1. The main sensor is at the water outlet (T2=NTC1).

Further specifications to be fulfilled:

- the outlet temperature (T2) must remain above 8°C;
- if T2 remains below 6°C for more than 1 minute, the low temperature alarm must be generated.

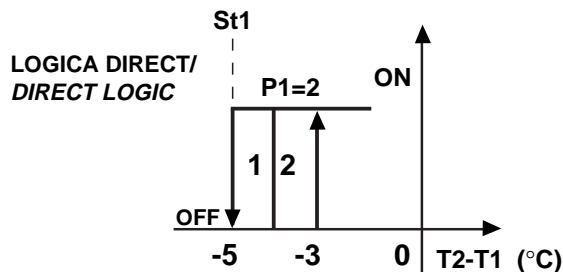


Fig.38

Solution: use a 4-output controller (IRxxZ); two outputs will be used as control outputs (OUT3 and OUT4) and one to connect a remote alarm indication (OUT1). OUT2 will be used to disenergize outputs OUT3 and OUT4 when T2 < 8°C. To do so, connect OUT2 in series with OUT3 and OUT4 so that OUT2 will energize only when NTC1 (T1) detects values above 8°C. See the graph below:

The alarm differential (P27) will be given a small value if you want the alarm to be reset automatically, a greater value if you prefer resetting the alarm manually. After having modified the above parameters, confirm them and exit the programming field pressing PRG. Then set the special mode (C33=1) and modify the special parameters as follows:

OUT1: deve essere programmata come uscita di allarme attiva solo in caso di allarme di "Bassa". Si deve quindi modificare la dipendenza DIPENDENZA=C34 che passa da 1 a 9 (o 10 se si vuole lavorare con relè normalmente ON). I parametri C35, C36, C37 non hanno più rilevanza e restano invariati.

OUT2: si svincolerà dal funzionamento DIFFERENZIALE cambiando la DIPENDENZA da 1 a 2: quindi DIPENDENZA=C38=2. La logica è di tipo Direct e comprende tutto P2, quindi INSERZIONE=C40 diventa 100, e DIFFERENZIALE/LOGICA=C41 diventa -100. St2 sarà ovviamente impostato a 8 e P2 rappresenta la variazione minima necessaria per riavviare l'unità, una volta che si è arrestata per "Bassa" temperatura, es P2=4.

OUT3 e OUT4: negli strumenti con 4 uscite, il Modo 1 assegna ad ogni uscita una isteresi pari al 25% del differenziale P1. Nell'esempio considerato le uscite effettivamente utilizzate per la regolazione sono 2, per cui si vuole che l'isteresi di ogni uscita sia il 50% di P1. È necessario quindi cambiare i parametri INSERZIONE e DIFFERENZIALE/LOGICA delle uscite indicate in modo che si adattino alla nuova situazione.

In pratica si dovrà porre:

OUT3:

INSERZIONE=C44 passa da 75 a 50
DIFFERENZIALE/LOGICA=C45, passa da -25 a -50.

OUT4:

INSERZIONE=C48 resta a 100
DIFFERENZIALE/LOGICA = C49 passa da -25 a -50.

Il disegno riassume la logica di funzionamento della regolazione:

OUT1: program it as active alarm output to be used in the event of low temperature alarm; in this case modify dependence (DEPENDENCE=C34) from 1 to 9 (or 10 if you want normally open relays). You do not need to modify C35, C36, C37.

OUT2: in order to make idle the DIFFERENTIAL function, change DEPENDENCE from 1 to 2: DEPENDENCE=C38=2. The controller will perform in the DIRECT logic and will include the entire value of P2: Therefore old ENERGIZATION=C40 becomes C40=100, and old DIFFERENTIAL/LOGIC=C41 becomes C41=-100. Set St2=8. P2 indicates the minimum variation necessary to re-start the unit following a low temperature condition (e.g. P2=4).

OUT3 and OUT4: when using 4-output controllers, setting Mode 1 means to give each output a hysteresis corresponding to 25% of the differential P1. In the example shown below, there are 2 actual control outputs (OUT3 and OUT4) so the hysteresis of each output should correspond to 50% of P1. It is therefore necessary to change ENERGIZATION and DIFFERENTIAL/LOGIC referring to the indicated output so as to meet the new application requirements. In short:

OUT3:

ENERGIZATION=C44 changes from 75 to 50
DIFFERENTIAL/LOGIC=C45 changes from -25 to -50.

OUT4:

ENERGIZATION=C48 remains 100
DIFFERENTIAL/LOGIC=C49 changes from -25 to -50.

The graph below shows the new control logic:

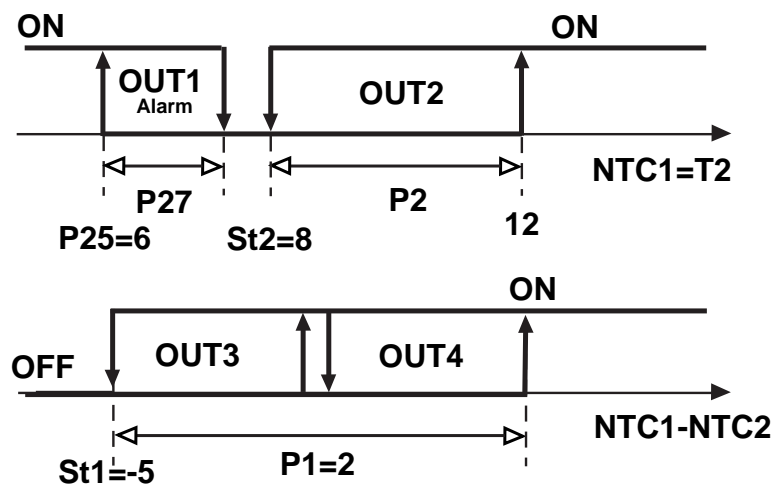


Fig.40

Esempio 13

Si vuole pilotare 3 bruciatori di una caldaia per portare l'acqua alla temperatura St1. È richiesta un'uscita di allarme che deve essere attivata nel caso in cui l'acqua superi un limite di "Alta" temperatura o in caso sia segnalato un blocco dell'impianto.

Soluzione: supposto che il segnale di blocco sia disponibile come contatto pulito, si potrà utilizzare l'ingresso digitale per la sua gestione. Si dovrà poi configurare un'uscita come allarme (DIPENDENZA=5 o 6). Il Modo di partenza può essere lo standard, ovvero C0=2.

Example no. 13

Control and regulation of 3 boiler burner units so as to bring the water temperature to St1. You need one alarm output that will energise in the event the water temperature rises above the "High" temperature threshold or in the event the system locks.

Solution: Use the digital input (voltage-free contact) to regulate the 'system lock' signal. Then configure another output as alarm output (DEPENDENCE=5 or 6). As for the Mode, there is no need to change its standard setting, that is C0=2.

Le modifiche da apportare sono:

Modo di partenza: C0=2

ingresso digitale 1: gestione allarme con blocco uscite e attivazione uscita di allarme.
 C29=2 allarme immediato con Reset manuale;
 C31=0 in caso di allarme da ingresso digitale tutte le uscite vengono spente.

OUT1:

uscita ON/OFF per comando del primo bruciatore:
 INSERZIONE=C36=-33 DIFFERENZIALE/LOGICA=C37=33
 (DIPENDENZA e TIPO DI USCITA invariati)

OUT2:

uscita ON/OFF per comando del secondo bruciatore:
 INSERZIONE=C40=-66 DIFFERENZIALE/LOGICA=C41=33
 (DIPENDENZA e TIPO DI USCITA invariati)

OUT3:

uscita ON/OFF per comando del terzo bruciatore:
 INSERZIONE=C44=-100 DIFFERENZIALE/LOGICA=C45=34
 (DIPENDENZA e TIPO DI USCITA invariati)

OUT4:

uscita ON/OFF d'allarme di "Alta" e da blocco esterno.
 DIPENDENZA C46=5 (o 6 se si preferisce il relè normalmente eccitato)
 P26 = livello di "Alta" temperatura richiesto (Es. 90°C)
 P27 = differenziale allarme (visto che l'allarme deve essere assoluto, P27 deve essere positivo)
 P28 = eventuale ritardo allarme temperatura e blocco

Il grafico raffigura la logica di funzionamento selezionata.

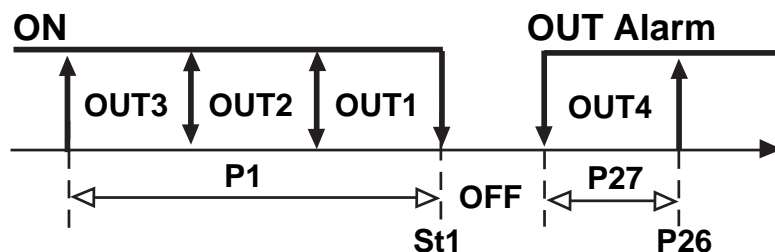


Fig.41

Esempio 14

In un impianto di stagionatura si controlli la temperatura tramite un compressore (generatore di freddo) ed una resistenza elettrica (generatore di calore). Il controllo deve agire con una zona neutra di 3 °C attorno ad un set di 5 °C. Il comando della resistenza dovrà essere di tipo PWM per un inserimento proporzionale della potenza.

Soluzione:

Modo di partenza: C0=3 salvare la modifica uscendo dalla programmazione con PRG, rientrare in programmazione, P.W.77, ponendo C33=1;
 St1=5°C, P3=1,5°C P1 e P2 stabiliranno il differenziale di lavoro rispettivamente della resistenza e del compressore.

OUT1: comando della resistenza con funzionamento PWM; TIPO DI USCITA=C35=1, per funzionamento PWM (DIPENDENZA, INSERZIONE e DIFFERENZIALE/LOGICA invariati).

OUT2: uscita ON/OFF per comando del compressore: resta invariata.

In short:

Starting Mode: C0=2;

Digital input no.1: alarm management with output disenergization and energization of the alarm output;
 C29=2: immediate alarm, manual reset;
 C31=0: in the event of off-normal condition, all outputs will disenergise;

OUT1:

ON/OFF output to control the first burner unit
 ENERGIZATION=C36=-33 DIFFERENTIAL/LOGIC=C37=33 (Dependence and Type of Output remain unchanged).

OUT2:

ON/OFF output to control the second burner unit
 ENERGIZATION=C40=-66 DIFFERENTIAL/LOGIC=C41=33 (Dependence and Type of Output remain unchanged).

OUT3:

ON/OFF output to control the third burner unit
 ENERGIZATION=C44=-100 DIFFERENTIAL/LOGIC=C45=34 (Dependence and Type of Output remain unchanged).

OUT4:

ON/OFF output for high temperature alarm and external system lock.
 DEPENDENCE C46=5 (or 6 if you prefer a normally energized relay);
 P26=sets the required high temperature level (e.g. 90°C);
 P27=alarm differential (P27 must be a positive value);
 P28=time-delay (if any) before the activation of the temperature/system lock alarm.

The graph below illustrates the new control logic:

Example no. 14

Control and regulation of the temperature of a cold storage room by means of a compressor (cooling function) and an electric heater (heating function). The controller will develop corrective action in response to deviation from the desired conditions, according to the set values, that is neutral zone=3°C and set-point=5°C. The heater operates in the PWM logic so as to obtain a proportional operating logic.

Solution: Starting Mode: C0=3: Confirm the modification by exiting the programming field through PRG, then enter again (password 77) and set C33=1; St1=5°C, P3=1.5°C P1 and P2 represent the operating differential of heater and compressor respectively.

OUT1: Control of the heater, PWM logic; TYPE OF OUTPUT=C35=1, PWM function (DEPENDENCE, ENERGIZATION and DIFFERENTIAL/LOGIC remain unchanged).

OUT2: ON/OFF output for the control of the compressor (unchanged)

Nota: nel Modo 3 se si pone $C33=1$, l'uscita 1 continua a riferirsi a $St1$ (e $P1$), mentre l'uscita 2 si riferisce a $St2$ (e $P2$) che è ora impostabile distintamente.

Il disegno a fianco raffigura la **nuova logica**.

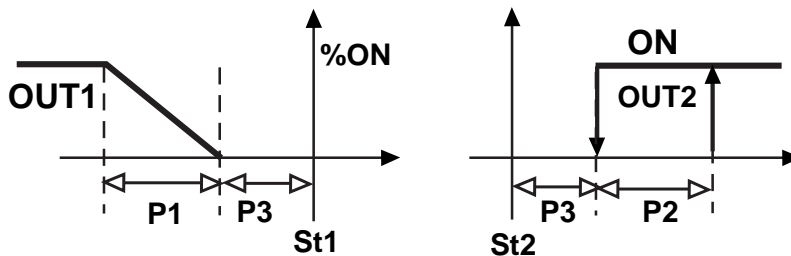


Fig.42

Da notare che:

1- La stessa funzionalità si sarebbe ottenuta partendo da Modo 4, modificando "TIPO DI USCITA di OUT2"= $C39$ da 1 a 0, in modo che l'OUT2 diventasse da "tipo" PWM a "tipo" ON/OFF.

2- Nel caso si voglia mantenere un unico set point di regolazione si devono mantenere le due uscite dipendenti da $St1$. Riprendendo l'esempio precedente basta porre DIPENDENZA di $OUT2=C38=1$. La figura 33 mostra il nuovo diagramma di regolazione (si noti che i differenziali di lavoro per $OUT1$ e per $OUT2$ fanno riferimento entrambi a $P1$).

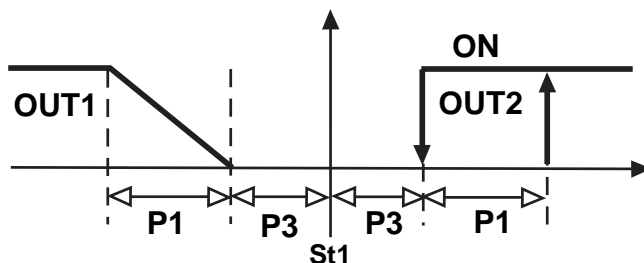


Fig.43

Esempio 15

Si vuole gestire in una cella il comando compressore ed avere una uscita di allarme.

Soluzione 1: si può utilizzare un regolatore a 2 uscite nel Modo 5: di fabbrica $OUT2$ gestisce l'allarme ed $OUT1$ una logica di comando Reverse. Sarà sufficiente modificare la logica di $OUT1$ per soddisfare la richiesta. $St1$, $P1$ e $P3$ definiscono la regolazione finale.

Modo di partenza: $C0=5$ salvare la modifica uscendo dalla programmazione e rientrare in programmazione, con Passwod 77, ponendo $C33=1$.

OUT1: uscita ON/OFF che deve passare da logica Reverse a logica Direct.

INSERZIONE = $C36$ passa da -100 a +100
DIFFERENZIALE/LOGICA = $C37$ passa da +100 a -100 (DIPENDENZA e TIPO DI USCITA invariati).

OUT2: già uscita di allarme, restano invariati i parametri. I parametri $P25$, $P26$, $P27$ e $P28$ completeranno la programmazione di allarme temperatura.

In figura 44 è rappresentata la logica ottenuta.

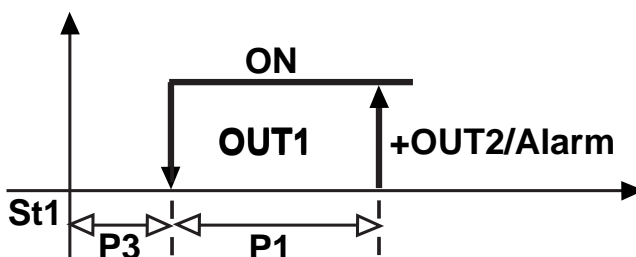


Fig.44

Note: when working in Mode 3, setting $C33=1$ implies that the first output will be directly related to $St1$ (and $P1$) whilst output 2 will be related to $St2$ (and $P2$) whose value can be directly selected.

The graph below illustrates the new operating logic.

Please note that:

1- the same regulation logic might be achieved starting from Mode 4 and modifying the TYPE OF OUTPUT relative to $OUT2$ as follows: TYPE OF OUTPUT= $C39=0$, (setting 0 instead of 1 causes the output to work in the ON/OFF instead of the PWM logic).

2- if you want to maintain only one set-point, the two outputs must be related to $St1$. Set Dependence of $OUT2=C38=1$. Fig. 33 shows the new control graph (differentials for $OUT1$ and $OUT2$ refer to $P1$).

Example no. 15:

Control of a single-compressor cold storage room with one alarm output.

Solution 1: use a two-output controller and set Mode 5 so that $OUT2$ will manage the alarm and $OUT1$ the REVERSE mode. To meet the above application requirement, all you have to do is modify the control logic of $OUT1$.

Starting Mode: $C0=5$; confirm the variation by exiting the programming field, then enter again (password 77) and set $C33=1$.

OUT1: ON/OFF output, from Reverse to Direct mode
ENERGIZATION = $C36$ changes from -100 to +100
DIFFERENTIAL/LOGIC = $C37$ changes from +100 to -100 (Dependence and Differential/Logic unchanged)

OUT2: used as alarm output (parameters remain unchanged). $P25$, $P26$, $P27$ and $P28$ allow you to complete the programming step by setting the temperature alarms.

The graph below (fig. 44) shows the new control logic:

Soluzione 2: questa applicazione può essere sviluppata dal Modo di partenza, ovvero da C0=2, disinteressando così il Differenziale di zona NEUTRA P3. Di seguito elenchiamo la lista dei parametri speciali che si vanno a modificare, partendo senza alterare C0=2, entrando direttamente con Password 77 su C33=1: C36=+100, C37=-100 e C38=3 (inalterati gli altri). P25, P26, P27 e P28 completano la programmazione delle uscite di allarme. Il disegno della figura 45 mostra la logica che si ottiene con questa soluzione:

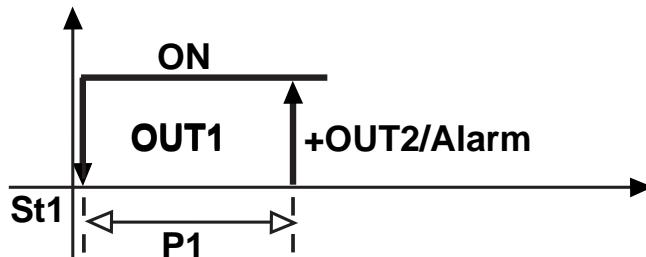


Fig.45

Esempio 16

Un'unità di condizionamento ha una resistenza per riscaldare e 3 compressori per raffreddare. Uno dei 3 compressori ha potenza doppia rispetto agli altri due. Inoltre si richiede di gestire la resistenza con logica PWM.

Soluzione: si utilizzerà un controllo a 4 uscite, OUT1 per comandare la resistenza con funzionamento PWM, OUT2 per comandare il compressore maggiore e per il quale si vuole un'isteresi doppia rispetto agli altri due. OUT3 e OUT4 pilotano gli altri due compressori.

Modo di partenza: si può partire dal Modo standard C0=2 con P.W.77 modificare C33=1. Vediamo come strutturare i parametri affinché resistenza e compressori siano dipendenti da due set point e differenziali distinti.

OUT1:

uscita ON/OFF per comando della resistenza in PWM
 DIPENDENZA=C34=1 resta invariato,
 TIPO DI USCITA=C35=1, INSERZIONE=C36=-100
 DIFFERENZIALE/LOGICA=C37=+100

OUT2:

uscita ON/OFF per comando del compressore maggiore
 DIPENDENZA=C38 passa da 1 a 2 (l'uscita si riferisce ora a St2)
 TIPO DI USCITA=C39=0 resta invariata,
 INSERZIONE=C40=+50, DIFFERENZIALE/LOGICA=C41=-50

OUT3:

uscita ON/OFF per comando del secondo compressore
 DIPENDENZA=C42=2, TIPO DI USCITA=C43=0, INSERZIONE=C44=+75, DIFFERENZIALE/LOGICA=C45=-25

OUT4:

uscita ON/OFF per comando del terzo compressore
 DIPENDENZA=C46=2, TIPO DI USCITA=C47=0, INSERZIONE=C48=+100, DIFFERENZIALE/LOGICA=C49=-25

Il grafico rappresenta la logica di funzionamento selezionata. L'azione del riscaldamento è in funzione di St1, P1 e C12. La gestione dei compressori dipende da St2 e P2.

Solution 2: set C0=2 so that the Differential of NEUTRAL zone P3 will not be considered. Special parameters to be modified when C0=2 (use password 77). C33=1: C36=+100, C37=-100, C38=3 (the other parameters remain unchanged). P25, P26, P27 and P28 allow you to complete the programming step by setting the temperature alarms. The graph below (fig. 45) shows this control logic:

Example no. 16

Control of an air-conditioning unit equipped with one heater and 3 compressors. The capacity of one of the compressors is twice the capacity of the other two. PWM logic is required to control the heater.

Solution: use a 4-output controller. OUT1 will control the heater in PWM, OUT2 the main compressor whose hysteresis has to be twice the size of the other two. OUT3 and OUT4 will control the other two compressors.

Starting Mode: standard C0=2 (password 77). Then set C33=1. Set the other parameters so that heater and compressors will depend on two different set-points and differentials.

OUT1:

ON/OFF output to control the heater with PWM logic
 DEPENDENCE=C34=1 unchanged
 TYPE OF OUTPUT C35=1, ENERGIZATION C36=-100
 DIFFERENTIAL/LOGIC C37=+100

OUT2:

ON/OFF output to actuate the main compressor
 DEPENDENCE=C38 changes from 1 to 2
 (as the output must refer to St2)
 TYPE OF OUTPUT=C39=0 unchanged
 ENERGIZATION=C40=+50
 DIFFERENTIAL/LOGIC=C41=-50

OUT3:

ON/OFF output to actuate the second compressor
 DEPENDENCE=C42=2 TYPE OF OUTPUT=C43=0
 ENERGIZATION=C44=+75 DIFFERENTIAL/LOGIC=C45=-25

OUT4:

ON/OFF output to actuate the third compressor
 DEPENDENCE=C46=2 TYPE OF OUTPUT=C47=0
 ENERGIZATION=C48=+100 DIFFERENTIAL/LOGIC=C49=-25

The graph shows the control logic described above. Heating depends on St1, P1 and C12. Cooling depends on St2 and P2.

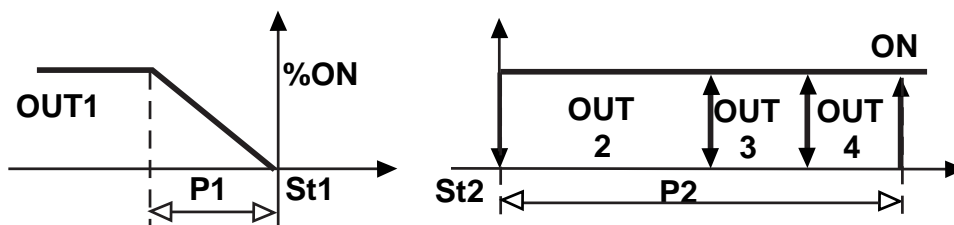


Fig.46

Esempio 17:

Si vuole comandare un condizionatore; il comando del compressore e della resistenza devono fare riferimento ad un set diurno ed ad un set notturno tramite un timer esterno. Questo esempio potrebbe essere valido anche per il controllo di una cella climatica.

Soluzione: si può fare riferimento ad uno strumento IR a due uscite. La programmazione avrà come Modo base C0=7 (o C0=8). Quindi modificato C0=7 si salveranno i nuovi parametri speciali e funzioni caratteristiche, uscendo con PRG successivamente. Con P.W.77 si andrà a modificare C33=1: fissando ad esempio OUT1 per la gestione della resistenza e OUT2 per il compressore.

Questa è la configurazione:

OUT1:

DIPENDENZA=C34=1, TIPO DI USCITA=C35=0
(ON/OFF) o 1 (PWM)
INSERZIONE=C36=-100,
DIFFERENZIALE/LOGICA=C37=+100

OUT2:

DIPENDENZA=C38=1,
TIPO DI USCITA=C39=0,
INSERZIONE=C40=100,
DIFFERENZIALE/LOGICA=C41=-100

St1-P1 caratterizzano il funzionamento con contatto esterno aperto, mentre St2-P2 con contatto chiuso secondo i diagrammi sotto esposti:

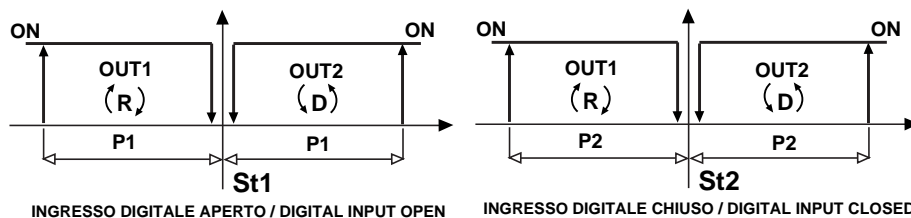


Fig.47

Nota: qualora si voglia introdurre una zona neutra tra l'azione di OUT1 e OUT2 con eventualmente differenziali diversi basterà ridurre il valore assoluto di DIFFERENZIALE/ LOGICA di una o entrambe le uscite eventualmente modificando il punto di attacco tramite INSERZIONE. Vediamo ad esempio come varia lo schema di regolazione con C37=+50 e C41=-50 (non si può sfruttare P3 in quanto il Modo 7 di partenza non lo gestisce).

Example no. 17:

Control of an air-conditioner. Compressor and heater will work according to different set-points (one for daytime, the other for the night) on the basis of an external timer.

Solution: you can use a two-output IR controller. Set C0=7 (or C0=8) and modify the special parameters; then exit pressing PRG. Use password 77 to set C33=1 so as to use OUT1 for the heater and OUT2 for the compressor.

The configuration is as follows:

OUT1:

DEPENDENCE=C34=1, TYPE OF OUTPUT=C35=0
(ON/OFF) or 1 (PWM)
ENERGIZATION=C36=-100,
DIFFERENTIAL/LOGIC=C37=+100

OUT2:

DEPENDENCE=C38=1,
TYPE OF OUTPUT=C39=0,
ENERGIZATION=C40=100,
DIFFERENTIAL/LOGIC=C41=-100

St1-P1 determines an external open contact operating mode; St2-P2 determines an external closed contact operating mode:

Important: if you need to introduce a neutral zone between OUT1 and OUT2 and different differentials, just decrease the absolute value of DIFFERENTIAL/LOGIC of one or both the outputs. If necessary modify the energization point through ENERGIZATION.

Let's see how the control action varies when C37=+50 and C41=-50 (P3 can not be used with Mode 7).

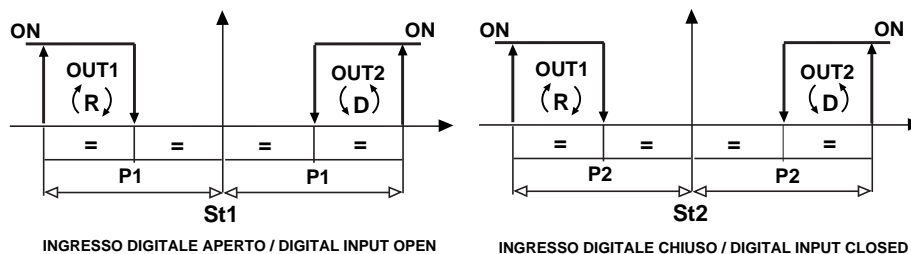


Fig.48

9. Lista completa dei parametri / 9. Advanced set-up: list of the parameters

Si riporta di seguito la lista completa di tutti i parametri disponibili sulla serie Infrared (tipo P e C). Per accedere alla lista completa dei parametri seguire la procedura indicata a pag. 12, utilizzando come password il numero '77'.

Per la visualizzazione del valore dei parametri e la sua eventuale modifica seguire le modalità già viste sempre a pag. 12.

The table below lists all the standard parameters of the Infrared controllers (P and C models). To enter the parameter field follow the instructions on page 12 and use password 77. To display the value given to each parameter and modify it, see the indications on page 12.

Par.	Descrizione / Description	Min.	Max	Default
St1	Set Point 1	min. sonda <i>min.sensor</i>	max sonda <i>max.sensor</i>	20
St2	Set Point 2 (Modi Funz. / Modes 6,7,8,9)	min. sonda <i>min.sensor</i>	max sonda <i>max.sensor</i>	40
C0	Modo di Funzionamento / Mode of operation	1	9	2
Selezione dei Differenziali / Setting Differentials				
P1	Differenziale Set Point 1 (valore assoluto) / Diff. of Set Point 1 (absolute value)	0.1	99.9	2.0
P2	Differenziale Set Point 2 / Diff. of Set Point 2	0.1	99.9	2.0
P3	Differenziale zona Neutra (Modi 3,4,5) (valore assoluto) <i>Dead-zone Diff. (Modes 3,4,5) (absolute value)</i>	0	99.9	2.0
C4	Autorità. Attiva solo nei modelli NTC, con Modo 1 o 2 e C19=2, 3 o 4 <i>Authority. NTC models only with Mode 1 or 2 and C19=2, 3 or 4</i>	-2.0	2.0	0.5
C5	Tipo di regolazione: 0=Proporzionale, 1= P+I <i>Control action: 0=Proportional (P) 1=Prop+Integral (P+I)</i>	0	1	0
Parametri relativi alle uscite / Outputs				
C6	Ritardo tra gli inserimenti di 2 relè diversi <i>Delay between energizations of 2 different relays</i>	0	999"	5"
C7	Tempo minimo tra le accensioni dello stesso relè <i>Minimum time between energizations of the same relay</i>	0	15'	0
C8	Tempo minimo di spegnimento dello stesso relè <i>Minimum off time of the same relay</i>	0	15'	0
C9	Tempo minimo di accensione dello stesso relè <i>Minimum on time of the same relay</i>	0	15'	0
C10	Stato relè di regolazione in caso di allarme sonda: <i>Status of the outputs in the event of sensor alarm:</i> 0 = tutti i relè spenti / all relays 1 = tutti i relè accesi / all relays energised 2 = accesi i relè in Direct, spenti gli altri / relays in Direct mode energised, disenergized the others 3 = accesi i relè in Reverse, spenti gli altri / relays in Reverse energised, disenergized the others	0	3	0
C11	Rotazione uscite (solo Modi 1, 2, 6, 7 e 8) / Output rotation: (Modes 1,2,6,7,8 only) 0 = rotazione non attiva / no rotation 1 = rotazione standard / standard rotation 2 = rotazione/rotation 2+2 (compressori su relè 1 e 3)/(compr. on relays 1 & 3) 3 = rotazione/rotation 2+2 ... e solo per modelli a 4 uscite (Z e A) / output models only (A and Z) 4 = ruotano uscite 3 e 4, non ruotano 1 e 2 / rotation of outputs 3 and 4 (no rotation for 1 and 2) 5 = ruotano uscite 1 e 2, non ruotano 3 e 4 / rotation of outputs 1 and 2 (no rotation for 3 and 4) 6 = ruotano separatamente le coppie 1-2 (tra loro) e 3-4 / separate rotation of coupled outputs: 1-2 and 3-4 7 = ruotano le uscite 2, 3 e 4, non ruota l'uscita 1 / rotation of outputs 2,3,4 (no rotation for out 1)	0	7	0
C12	Tempo di ciclo funzionamento PWM (s) / time of PWM cycle (s)	0.2"	999"	20"
Parametri sonda / Sensor				
C13	Tipo sonda / Sensor type: 0=4-20, 1=0-20; / 0=4-20, 1=0-20; 0=Tc K, 1=tc J; / 0=K T/c, 1= J T/c NTC: se C13=1 viene visualizzato NTC2 con regolazione sempre su NTC1 <i>NTC: if C13=1 the instrument displays NTC2 but the control action depends on NTC1</i>	0	1	0
P14	Calibrazione sonda o offset / Sensor calibrat. or offset	-99	+99.9	0.0
C15	Valore minimo per ingresso I e V / Min.value for inputs I andV	-99	C16	0.0
C16	Valore massimo per ingresso I e V / Max.value for inputs I andV	C15	999	100
C17	Filtro sonda antidisturbi / Sensor filter (noise filter)	1	14	5
C18	Selezione unità temperatura: 0=°C, 1=°F / Temperature units: 0=°C, 1=°F	0	1	0
C19	Funzion. 2° sonda: solo vers. NTC, Modo 1 o 2 / 2nd sensor: NTC only, Mode 1 or 2 0 = nessuna modifica al funz. Standard / no modification of the Standard Mode 1 = funzionamento differenziale (NTC1 - NTC2) / differential mode (NTC1 - NTC2) 2 = compensazione estiva / summer offset 3 = compensazione invernale / winter offset 4 = compensazione sempre attiva con zona morta P2 / active offset with Dead-zone P2	0	4	0

Parametri set				
C21	Valore minimo set-point 1 / <i>Minim. Set-point 1 limit</i>	-99	C22	min. sonda <i>min. sensor</i>
C22	Valore max set-point 1 / <i>Maxim. Set-point 1 limit</i>	C21	999	max sonda <i>max sensor</i>
C23	Valore minimo set-point 2 / <i>Minim. Set-point 1 limit</i>	-99	C24	min. sonda <i>min. sensor</i>
C24	Valore max set-point 2 / <i>Maxim. Set-point 1 limit</i>	C23	999	max sonda <i>max sensor</i>
Parametri di allarme / Alarms				
P25	Set allar. di "Bassa" / <i>Low temp. alarm set-point</i>	-99	P26	min. sonda <i>min. sensor</i>
P26	Set allar. di "Alta" / <i>High temp. alarm set-point</i>	P25	999	max sonda <i>max sensor</i>
P27	Differenziale allarme (valore assoluto) / <i>Alarm differential (absolute value)</i>	-99.0	99.0	2.0
P28	Tempo ritar. attuaz. allarme (min.) / <i>Alarm Delay (min.0)</i>	120'	60'	
C29	Ingresso digit.1 (valido se C0 è diverso da 6, 7 e 8) <i>of dig. input 1(C0 different from 6,7,8)</i> In caso di allarme, lo stato dei relè dipende da C31 <i>In the event of alarm the status of relays depends on C31</i> 0 = ingresso non attivo / <i>idle input</i> 1 = allarme est. immediato, Reset automatico / <i>immediate external alarm with automatic Reset</i> 2 = allarme est. immediato, Reset manuale / <i>immediate external alarm with manual Reset</i> 3 = allarme est. con ritardo (P28), Reset manuale / <i>external delayed alarm (P28) with manual Reset</i> 4 = ON/OFF regolazione in relazione stato ingresso digitale / <i>on/off depending on the status of the Digital input</i>	0	4	0
C30	Gestione ingresso digitale 2 (solo IRDR) / <i>Digital Input 2 (IRDR only)</i> Per i significati vedi C29 / <i>See C29</i>	0	4	0
C31	Stato uscite in caso di allarme da ingresso digitale <i>Outputs status in the event of alarm condition detected via digital input</i> 0 = tutte le uscite OFF / <i>all outputs OFF</i> 1 = tutte le uscite ON / <i>all outputs ON</i> 2 = OFF le uscite con funzion. Reverse, inalterate le altre / <i>outputs in Reverse OFF, unchanged the others</i> 3 = OFF le uscite con funzionamento Direct, inalterate le altre / <i>outputs in Direct OFF, unchanged the others</i>	0	3	0
Altre predisposizioni / Others				
C32	Indirizzo per connessione seriale / <i>Address of unit for serial connection</i>	1	16	1
Parametri funzionamento "speciale" / Special parameters				
C33	funzionamento speciale 0=no, 1=sì / <i>special Mode of Operation: 0=no, 1=yes</i> Prima della modifica accertarsi di aver selezionato e programmato il Modo di partenza (C) desiderato <i>Before modifying C33 be sure you have set and programmed the Starting Mode C0</i>	0	1	0
C34	OUT1: DIPENDENZA / <i>DEPENDENCE</i>	0	15	- (*)
C35	OUT1: TIPO DI USCITA / <i>TYPE OF OUTPUT</i>	0	1	- (*)
C36	OUT1: INSERZIONE / <i>ENERGIZATION</i>	-100	+100	- (*)
C37	OUT1: DIFFER./LOGICA / <i>DIFFERENTIAL/LOGIC</i>	-100	+100	- (*)
C38	OUT2: DIPENDENZA / <i>DEPENDENCE</i>	0	15	- (*)
C39	OUT2: TIPO DI USCITA / <i>TYPE OF OUTPUT</i>	0	1	- (*)
C40	OUT2: INSERZIONE / <i>ENERGIZATION</i>	-100	+100	- (*)
C41	OUT2: DIFFER./LOGICA / <i>DIFFERENTIAL/LOGIC</i>	-100	+100	- (*)
C42	OUT3: DIPENDENZA / <i>DEPENDENCE</i>	0	15	- (*)
C43	OUT3: TIPO DI USCITA / <i>TYPE OF OUTPUT</i>	0	1	- (*)
C44	OUT3: INSERZIONE / <i>ENERGIZATION</i>	-100	+100	- (*)
C45	OUT3: DIFFER./LOGICA / <i>DIFFERENTIAL/LOGIC</i>	-100	+100	- (*)
C46	OUT4: DIPENDENZA / <i>DEPENDENCE</i>	0	15	- (*)
C47	OUT4: TIPO DI USCITA / <i>TYPE OF OUTPUT</i>	0	1	- (*)
C48	OUT4: INSERZIONE / <i>ENERGIZATION</i>	-100	+100	- (*)
C49	OUT4: DIFFER./LOGICA / <i>DIFFERENTIAL/LOGIC</i>	-100	+100	- (*)
(*) dipendono dal modello e dal modo di partenza / <i>(*) depends on the model and starting mode</i>				
Predisposizioni per abilitazione telecomando/tastiera / Use via remote control/keypad				
C50	abilitazione tastiera/activation of keypad (TS) e telecomando/and Remote Control (TC) 0 0 =TS Off, TC On (solo parametri di Tipo P) / <i>TS off, TC on (only type P parameters)</i> 1=TS On, TC On (solo parametri di Tipo P) / <i>TS on, TC on (only type P parameters)</i> 2 = TS Off, TC Off / <i>TS off, TC off</i> 3 = TS On, TC Off / <i>TS off, TC off</i> 4 = TS On, TC On (tutti i parametri) / <i>TS on, TC on (all param.s)</i>	0	4	4
C51	Codice per l'abilitazione del telecomando / <i>Code to activate the remote control</i> 0 = Password inserita / <i>password entered</i>	0	120	0

10. Ricerca e eliminazione dei guasti (strumento e telecomando)

- **problema:**
la tastiera e/o il telecomando non accedono/modificano i parametri;
- verifica:**
- si veda parametro C50 (da tastiera)
- **problema:**
la misura oscilla continuamente;
- verifica:**
- la misura può essere influenzata da disturbi elettromagnetici; verificare cavo sonda: deve essere schermato (con schermo collegato a terra). A volte può essere utile collegare la calza (solo) al riferimento interno dello strumento, indicato con "Com.". La calza non deve mai essere collegata a terra ad entrambi gli estremi.
 - il parametro C17 (filtro sonda) ha valori troppo bassi.
 - controllare che nella stessa canalina non vi siano i cavi sonda e i cavi di potenza
- **problema:**
gli allarmi di "Alta" e/o "Bassa" non sono segnalati;
- verifica:**
- è in atto un ritardo d'allarme o vi è una non corretta impostazione.
 - verificare i parametri P25, P26, P27 e P28.
- **problema:**
le uscite non vengono attivate;
- verifica:**
- tempistiche di protezione delle uscite, param. C6, C7, C8.
 - set point e relativi differenziali
- **problema:**
le uscite vengono attivate troppo frequentemente;
- verifica:**
- il differenziale è troppo stretto.
 - Aumentarlo e/o modificare le tempistiche di protezione sulle uscite, parametri C6, C7 e C8
- **problema:**
la misura non raggiunge mai il valore di set-point;
- verifica:**
- escludendo problemi di dimension. dell'impianto, il differenziale, P1 o P2, è troppo largo o la zona neutra P3 è eccessiva.
- **problema:**
la misura visualizzata a display non corrisponde al valore reale;
- verifica:**
- può essere un problema di installazione del sensore o di set-up sonda. Nelle versioni con ingresso in corrente, in tensione o J/K, Tc, si veda il paragrafo 6.6, pag.12 "parametri "C" per termocoppie, ..". È possibile una correzione del valore tramite il param. P14.
- **problema:**
le uscite di allarme non si attivano pur essendo segnalato un allarme di temperatura;
- verifica:**
- non sono state predisposte correttamente le uscite di allarme.
 - verificare Modo (C0) e nel funzionamento speciale il relativo parametro DIPENDENZA.
- **problema:**
il telecomando non funziona
- verifica:**
- controllare che ci siano le batterie e che siano inserite correttamente, o che non siano scariche;
 - non vi devono essere ostacoli tra il telecom. e il controllo;
 - il trasmettitore posto sul telecom. e il ricevitore posto sul controllo non devono essere sporchi;
 - a distanza tra telecomando e controllo non deve essere superiore ai 3 metri.
 - parametro C50 (da tastiera).

10. Troubleshooting - Reset of controller and remote control

- **problem:**
keypad/remote control unit does not work/does not modify any parameter.
- check**
- *parameter C50 (via keypad)*
- **problem:**
value changes repeatedly.
- check**
- *possible electromagnetic noise; check the sensor cable (use shielded cables. Sometimes it can be useful to connect the braiding to the internal reference of the instrument (indicated by "Com"). The braiding must never be earthed at both ends.*
 - *modify parameter C17 (increase its value).*
 - *check that sensor cables and power cables are NOT in the same duct.*
- **problem:**
high/low alarms are not detected.
- check**
- *alarm delay in progress or wrong time-delay selection check parameters P25, P26, P27, P28.*
- **problem:**
outputs do not energize.
- check**
- *time delays of the outputs; par. C6, C7, C8.*
 - *set-points and their differentials.*
- **problem:**
outputs energize too frequently.
- check**
- *increase the value of the differential and/or modify time delays (parameters C6, C7, C8)*
- **problem:**
the variable never reaches the set-point.
- check**
- *the differential P1 or P2 should be decreased as well as the dead-zone P3.*
- **problem:**
the value displayed does not correspond to the actual value.
- check**
- *the position of the sensor. For models with current, voltage or J/K Tc input see paragraph 6.6 on page 12 (Parameters "C" for Thermocouples). Use P14 to correct the measured value.*
- **problem:**
alarm outputs do not energize even if the off-normal condition has been regularly detected.
- check**
- *alarm outputs have not been appropriately set.*
 - *the Mode (C0) and, in the special mode of operation, the dedicated parameter "Dependence".*
- **problem:**
the remote control does not work.
- check**
- *that batteries are correctly aligned and not run-down.*
 - *be sure there are no obstacles between controller and remote control unit.*
 - *be sure there is no dust or dirt on the transmitter of the remote control and on the receiver of the controller.*
 - *The distance between controller and remote control unit should not exceed 3 meters.*
 - *check C50 (via keypad).*

11. Condizioni di allarme, cause e rimedi / 11. Alarm conditions, causes and remedies

Messag.	Descrizione	Causa	Effetti sulla regolazione	Reset	Verifiche/Rimedi
Message	Description	Cause	Consequences on control action	Reset	Remedies
Er0	errore sonda <i>sensor error</i>	sonda guasta o sconnessa <i>faulty sensor</i>	dipende dal parametro C10 <i>depends on C10</i>	R: automatico V: manuale <i>R: automatic V: manual</i>	verifica dei collegamenti verifica del segnale sonda (es.: NTC=10kΩ 25°C); <i>check connections check sensor signal (eg.: NTC=10k 25°C)</i>
Er1	errore sonda NTC2 <i>sensor NTC2 error</i>	come Er0 <i>like Er0</i>	se C19=1 e modo 1, 2 come er0, altrimenti non blocca la regolazione <i>if C19=1 and mode 1, 2 see Er0, viceversa control action goes on normally</i>	come Er0 <i>like Er0</i>	come Er0 <i>like Er0</i>
Er2	errore memoria <i>memory error</i>	caduta di tensione durante la program. memoria danneggiata da interferenze elettromagnetiche; <i>voltage drop during programming stage memory damaged by electromagnetic interferences</i>	blocco totale <i>stoppage</i>	R: automatico V: manuale <i>R: automatic V: manual</i>	ripristinare i valori di fabbrica spegnere lo strumento e accenderlo con 'PRG' premuto; se persiste, sostituire lo strumento <i>reset factory-set values, turn off the controller, turn it on again holdin down PRG;</i>
Er3	allarme da contatto esterno su ingresso digitale <i>alarm via external contact on digital input</i>	è aperto il contatto collegato all'ingresso digitale <i>the contact linked to the digital input is open</i>	in base al parametro C31 <i>depending on C31</i>	R: dipende da C29 e C30 V: manuale <i>R: depends on C29 and C30 V: manual</i>	verifica parametri C29, C30 C31 e P28 verificare il comando del contatto esterno <i>check C29, C30, C31 and P28; check the external contact Er4</i>
Er4	allarme di ALTA <i>HIGH temperature alarm</i>	l'ingresso ha superato P26 per un tempo >P28 <i>P26 has been exceeded for a time-interval > P28 unchanged</i>	nessun effetto <i>control action goes on regularly</i>	R: automatico V: automatico (*) <i>R: automatic V: manual</i>	verifica dei parametri P26, P27 e P28 <i>check P26, P27, P28</i>
Er5	allarme di BASSA <i>LOW temperature alarm</i>	l'ingresso è sceso sotto P25 per un tempo >P28 <i>P25 has been below P28 for a time-interval > P28 unchanged</i>	nessun effetto <i>control action goes on regularly</i>	R: automatico V: automatico (*) <i>R: automatic V: automatic (*)</i>	verifica dei parametri P26, P27 e P28 <i>check P26, P27, P28</i>

R = Regolazione / R = Control action

Il Reset regolazione è inteso come il ripristino delle condizioni di normale funzionamento della regolazione una volta cessata la condizione di allarme.

Resetting the instrument means to restore normal operating conditions after the cause that determined the alarm has disappeared.

V = Visualizzazione / V = Display

Il display e buzzer. Il reset visualizzazione è inteso come il ripristino della visualizzazione normale
Display and buzzer. Display reset means that normal display of usual values is restored.

(*) = per ottenere il Reset di allarme di tipo manuale, è sufficiente impostare il differenziale di allarme (P27) ampio
() = To get a manual alarm reset, just give P27 (alarm differential) a high value.*

12. Moduli opzionali

Per le versioni IR32 con uscite a 10 Vdc per relè a stato solido (SSR), leggi IR32A/D o IRDRA, vi è la possibilità di ottenere uscite di tipo ON/OFF e/o analogiche/modulanti (anche tra di loro combinate). Questo è possibile con l'abbinamento degli appositi moduli dedicati. È previsto un ulteriore modulo convertitore alimentatore per tutti i modelli con ingresso in tensione ed in corrente.

12.1 Modulo uscita analogica – cod. CONV0/10A0

Questo modulo converte un segnale PWM 0/10 Vdc per relè a stato solido in un segnale analogico lineare 0/10 Vdc e 4/20 mA. L'abbinamento quindi è possibile ai soli strumenti IR32D, IR32A e IRDRA.

Programmazione: per ottenere il segnale modulante in uscita si sfrutta la regolazione fornita durante il funzionamento PWM (vedere C12 a pag. 25). Il segnale ad impulsi PWM, viene esattamente riprodotto come segnale analogico: la percentuale di ON, corrisponderà alla percentuale del massimo segnale in uscita previsto. Il modulo opzionale CONV0/10A0 effettua una operazione di integrazione sul segnale fornito dal regolatore: è necessario ridurre il tempo di ciclo (C12) al valore minimo impostabile, ovvero **C12=0,2 s.** L'utilizzo del tempo minimo impostabile limita l'uso delle uscite adibite per i relè a stato solido assieme a uscite modulanti. Risulta comunque sempre valido l'abbinamento di una o più uscite analogiche (o per relè a stato solido) con uscite di tipo ON/OFF tradizionale a relè. Per quel che concerne la logica di regolazione (Direct=freddo, Reverse=caldo), valgono le stesse considerazioni viste per il funzionamento PWM (vedere Modo 4): la logica dell'attivazione in PWM è riprodotta fedelmente come segnale analogico. Se invece si necessita di una configurazione personalizzata, fare riferimento ai paragrafi relativi alla configurazione speciale (parametri TIPO DI USCITA, INSERZIONE, DIFFERENZIALE/LOGICA ai paragrafi 8.3, 8.4, 8.5 pp. 44/46).

Connessioni elettriche: per le connessioni fare riferimento al disegno sottostante e alle relative descrizioni. Il segnale di comando ai morsetti 3 e 4 è optoisolato. Questo permette che l'alimentazione G,G0 (24 Vac) possa essere in comune all'alimentazione dell'IR.

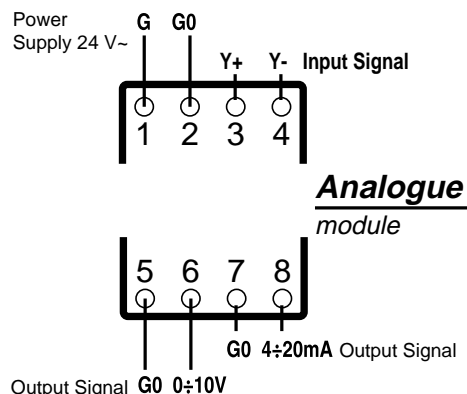


Fig.49

Descrizione della morsetteria

- 1 (G) = alimentazione 24 V~
- 2 (G0) = riferimento 24 V~ alimentazione e del sistema
- 3 (Y+) = "+" segnale di comando dall'IR
- 4 (Y-) = "-" segnale di comando dall'IR
- 5,7 (G0) = riferimento uscite analogiche
- 6 (0/10 V) = uscita (+ o Y) modulante 0/10 V
- 8 (4/20 mA) = uscita (+ o Y) modulante 4/20 mA

12. Optional modules

For IR32 versions with 10Vdc outputs for solid state relay (SSR), (IR32A/D or IRDRA), it is possible to obtain ON/OFF and/or analogue/modulating outputs combining specific dedicated modules. There is a power supply converter module specifically designed for all models equipped with current and voltage input.

12.1 Analogue output module – code CONV0/10A0

This module converts a PWM 0/10Vdc signal for solid state relay (SSR) into an analogue linear signal 0/10Vdc and 4/20mA. It is possible to combine this module with the IR32D, IR32A, IRDRA.

Programming procedure: to get a modulating output signal use PWM operating logic (see C12 on page 25). The PWM signal is reproduced exactly as an analogue signal. The CONV0/10A0 optional module integrates the signal provided by the controller: it is necessary to reduce the cycle time (C12) to its min. value (**C12=0.2 s.**). Using the minimum selectable time for C12 limits the use of the outputs corresponding to the solid state relays and that of the modulating outputs. It is always possible, however, to combine one or more analogue outputs (or for solid state relays) with ON/OFF relay outputs. As for the control logic (Direct=Cooling, Reverse=Heating) follow the same indications given for PWM (see Mode 4). Should you need a tailor-made configuration, see TYPE OF OUTPUT, ENERGIZATION, DIFFERENTIAL/LOGIC on pages 44/46.

Electrical connections: see diagram and instructions listed below. The command signal to terminals 3 and 4 is optoisolated. Therefore power source G, G0 (24 Vac) can be shared with the IR.

Terminal block:

- 1 (G) = power supply 24V~
- 2 (G0) = reference 24V~ power supply
- 3 (Y+) = "+" command signal from IR
- 4 (Y-) = "-" command signal from IR
- 5,7 (G0) = analogue outputs reference
- 6 (0/10V) = modulating output 0/10V (+ or Y)
- 8 (4/20mA) = modulating output 4/20mA (+ or Y)

Caratteristiche tecniche

Alimentazione

tensione: 24 V~ ±10% 50/60 Hz
assorbimento massimo: 50 mA

Ingresso PWM

impedenza d'ingresso: 200 Ω
minima corrente di ingresso: 10 mA
massima corrente d'ingresso: 20 mA
periodo max segnale PWM di comando: 0,2 s
periodo minimo segnale PWM di comando: 8 ms

Uscita in tensione

standard elettrico: 0/10 Vdc
tempo di risalita tipico (10% - 90%): 1,2 s
ripple massimo d'uscita: 100 mV
corrente massima d'uscita: 5 mA
valore uscita a 10 V nominali: 10/10,45 Vdc
valore uscita a 0 V nominali: 0/0,2 Vdc
sovraelongazione a 10 V: 0,15 Vdc

Uscita in corrente

standard elettrico: 4/20 mA
tempo di risalita tipico (10% - 90%): 1,2 s
ripple massimo d'uscita: 350 μA
tensione massima di uscita: 7 Vdc
massima impedenza di carico: 280 Ω
valore uscita a 20 mA nominali: 20/20,8 mA
valore uscita a 4 mA nominali: 3,5/4 mA
sovraelongazione: 0,3 mA

Caratteristiche meccaniche

protezione: IP20
dimensioni: 87x36x60 mm (2 moduli DIN)
montaggio: a guida DIN
sezione minima cavi di collegamento: 0,75 mm²
sezione massima cavi di collegamento: 2,5 mm²
distanza massima collegamenti agli ingressi: 3 m
distanza massima collegamenti alle uscite: 50 m
temperatura e umidità di immagazzinamento:
-10/70°C - 90% U.R.
temperatura e umidità di esercizio: 0/50°C - 90% U.R.
limiti di temperatura delle superfici:
come temp. di esercizio
inquinamento ambientale: normale

Nota per il collegamento agli attuatori: qualora gli attuatori siano anch'essi alimentati a 24Vac, è preferibile che l'alimentazione attuatore e modulo sia la medesima. Il riferimento G0 deve corrispondere tra Modulo e Attuatore, eventualmente può essere collegato a terra.

Technical characteristics

Power supply

voltage: 24V~ ±10%, 50/60Hz
maximum absorption: 50mA

PWM input

input impedance: 200 Ω
minimum input voltage: 10mA
maximum input voltage: 20mA
maximum time for PWM signal: 0.2s
minimum time for PWM signal: 8ms

Voltage output

electrical standard: 0/10Vdc
typical response time (10% - 90%): 1.2s
maximum output ripple: 100mV
maximum output voltage: 5mA
rated output value at 10V: 10/10.45Vdc
rated output value at 0V: 0/0, 2Vdc
overshoot at 10V: 0.15Vdc

Current output

electrical standard: 4/20mA
typical response time (10% - 90%): 1.2s
maximum output ripple: 350μA
maximum output voltage: 7V
max. load impedance: 280Ω
rated output value at 20mA: 20/20.8mA
rated output value at 4 mA: 3.5/4mA
overshoot: 0.3mA

Mechanical characteristics

protection index: IP20
dimensions: 87x36x60mm (2 DIN modules)
mounting: DIN rail
min. section of connection cables: 0.75mm²
max. section of connection cables: 2.5mm²
max. distance for connections to inputs: 3m
max. distance for connections to outputs: 50m
storage temperature and humidity: -10/70°C - 90% rH
operating temperature and humidity: 0/50°C - 90% rH
extreme surface temperature conditions: as operating temperature
environmental pollution: normal

Important: if the actuators are powered 24Vac, it is better to use the same power source to feed both actuators and module. G0 must be between Module and Actuator, otherwise earth it.

12.2 Modulo ON/OFF – cod. CONVONOFF0

Questo modulo permette di convertire un gradino di regolazione dal segnale di comando a 10 Vdc fornito dalle versioni per relè a stato solido in una uscita ON/OFF da relè. Risulta estremamente utile quando si intende utilizzare uno strumento IR32A o IRDRA con una o più uscite per comandare relè a stato solido (o uscite analogiche) e sia necessario utilizzare una o più uscite ON/OFF di regolazione o di allarme.

Programmazione: nella programmazione l'unica attenzione è rivolta alla tipologia dell'uscita che normalmente non è di tipo PWM, ma bensì ON/OFF (nella configurazione di queste uscite si dovrà imporre TIPO DI USCITA=0, vedere parametri speciali al paragrafo 8.3). Per quanto concerne la logica di regolazione ON/OFF, valgono le stesse considerazioni viste precedentemente per i vari Modi standard; per la configurazione particolare (Direct o Reverse), si rimanda alla descrizione della configurazione speciale (cap. 8, pag. 43) e all'esempio seguente. Per gestioni di allarme, l'uscita che pilota tale modulo dovrà essere programmata con la dipendenza appropriata (vedi Modo 5 o valore di DIPENDENZA compreso tra 3 e 14).

12.2 ON/OFF module (code CONVONOFF0)

It allows you to convert a 10Vdc signal (SSR versions) into an On/Off output via relay. This module is particularly useful when using an IR32A or IRDRA instrument with one or more outputs to control solid state relays (or analogue outputs) and one or more ON/OFF control/alarm outputs.

Programming procedure: as the output is an ON/OFF type (not PWM), set Type of Output=0 (see Special Parameters, paragraph 8.3). As for the ON/OFF control action, see the standard Modes of operation. For specific configurations (Direct or Reverse), see Special Configuration (chapter 8 on page 43). To manage any alarm condition, set appropriate Dependence (see Mode 5 or DEPENDENCE ranging between 3 and 14).

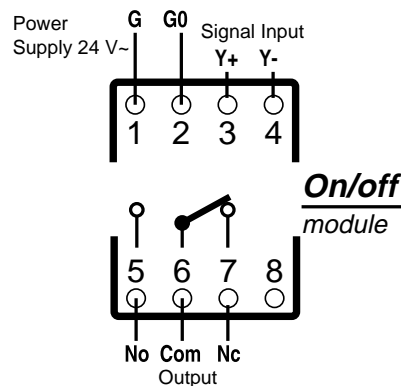


Fig.50

Descrizione della morsetti

- 1 (G) = alimentazione 24 V~
- 2 (G0) = riferimento 24V~ alimentazione e del sistema
- 3 (Y1) = "+" segnale di comando
- 4 (Y2) = "-" segnale di comando

Relè uscita

- 5 (No) = contatto normalmente aperto
- 6 (Com) = comune
- 7 (Nc) = contatto normalmente chiuso
- 8 = non connesso

Nota: il segnale di comando ai morsetti 3 e 4 è optoisolato. Questo permette che l'alimentazione G, G0 possa essere comune all'alimentazione dell' IR.

Caratteristiche tecniche

Alimentazione

tensione: 24 V~ ±10% 50/60 Hz
 assorbimento: 30 mA

Ingresso di comando

impedenza d'ingresso: 200 Ω
 minima corrente d'ingresso: 10 mA
 massima corrente d'ingresso: 20 mA
 periodo minimo medio di ripetizione del comando di attivazione/disattivazione relè (funzionamento in PWM): 30 s

Uscita a relè

massima tensione: 250 Vac
 massima corrente in AC1: 10 A
 massimo carico induttivo comandabile: 1/3 HP
 tipo di contatto: SPDT

Terminal block

- 1 (G) = power supply 24V~
- 2 (G0) = reference 24V~ power source
- 3 (Y+) = "+" command signal
- 4 (Y-) = "-" command signal

Output relay

- 5 (No) = normally open contact
- 6 (Com) = common
- 7 (Nc) = normally closed contact
- 8 = not connected

Note 1: the command signal to terminals 3 and 4 is optoisolated. Therefore power source G, G0 (24Vac) can be shared with the IR.

Technical characteristics

Power supply

voltage: 24V~ ±10%, 50/60Hz
 absorption: 30mA

Command input

input impedance: 200Ω
 minimum input voltage: 10mA
 maximum input voltage: 20mA
 min. average time before repetition of the relay energization/disenergization (PWM): 30s

Relay output

max. voltage: 250Vac
 max. current in AC1: 10A
 max. inductive load: 1/3HP
 type of contact: SPDT

Caratteristiche meccaniche

protezione: IP20
dimensioni: 87x36x60 mm (2 moduli DIN)
montaggio: a guida DIN
sezione minima cavi di collegamento: 0,75 mm²
sezione massima cavi di collegamento: 2,5 mm²
distanza massima collegamenti agli ingressi: 3 m
temperatura e umidità di immagazzinamento:
-10T70°C - 90% U.R.
temperatura e umidità di esercizio: 0T50°C - 90% U.R.
inquinamento ambientale: normale
limiti di temperaturasuperfici: come temperatura di esercizio
isolamento: rinforzato
tipo di contatti: 1 c

Mechanical characteristics

protection index: IP20
dimensions: 87x36x60mm (2 DIN modules)
mounting: DIN rail
min. section of connection cables: 0.75mm²
max. section of connection cables: 2.5mm²
max. distance of connections to the inputs: 3m
storage temperature and humidity: -10T70°C - 90%rH
operating temperature and humidity: 0T50°C - 90%rH
environmental pollution: normal
extreme surface temperature conditions: as operating temperature
insulation: reinforced
contact type: 1c

Esempio di utilizzo combinato dei moduli

Si voglia gestire la regolazione di un sistema utilizzando due set-point, uno per il controllo del riscaldamento e l'altro per il controllo del raffreddamento mediante due valvole modulanti con segnale 0/10 V. Qualora l'azione della valvola di raffreddamento non riesca a frenare l'innalzamento della temperatura, il sistema dovrà attivare un circuito frigorifero ulteriore. Si richiede, inoltre, una segnalazione di allarme generale.

Soluzione: in questo caso sarà necessario impiegare la versione per relè a stato solido a 4 uscite (versione IR32A o IRDRA); la programmazione dello strumento potrà essere eseguita utilizzando i parametri speciali partendo dal Modo preprogrammato, C0=2.

Proponiamo lista dei parametri di configurazione da modificare (PW77): C12=0,2 C33=1
per OUT1: C34=2 C35=1 C36=50 C37=-50
per OUT2: C38=2 C39=0 C40=100 C41=-50
per OUT3: C42=1 C43=1 C44=-100 C45=100
per OUT4 : C46=3 inalterati gli altri

La logica di regolazione ottenuta è raffigurata in questo disegno.

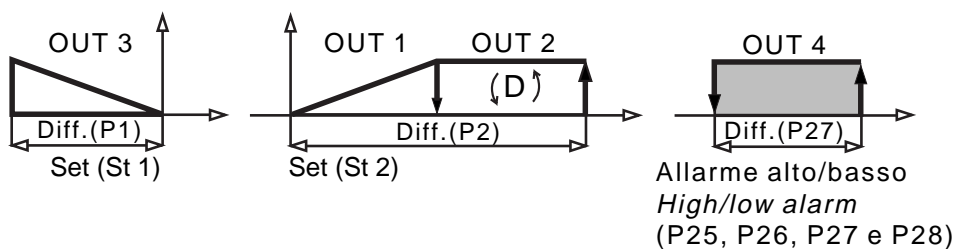


Fig.51

Per il collegamento:

ci serviamo di due moduli CONVONOFF0 per la gestione dell'uscita di allarme e del compressore, mentre due moduli CONV0/10A0 gestiranno le uscite delle due rampe analogiche.

Tutti i moduli (e l'IR) possono essere alimentati da un unico trasformatore a 24 Vac. Si dovrà alimentare il modulo COV0/10A0 e valvola con lo stesso trasformatore rispettando la polarità di G0. In questo caso dal trasformatore il G0 di alimentazione ai moduli dovrà corrispondere il G0 alla valvola (in alcuni casi si può chiamare L2 o N). Si omette il collegamento del G0 in uscita del modulo con la valvola, in quanto è il trasformatore a collegare il riferimento del segnale analogico tramite appunto la connessione G0. Al trasformatore la connessione a terra del secondario può essere fatta al polo identificato G0. Per il collegamento dei vari IR ai moduli basterà collegare i "+" e "-" delle uscite dell'IR ai rispettivi Y+ e Y- dei corrispondenti moduli.

Practical examples: Using different modules

Control of a system with two set-points, one for heating, the other for cooling through 2 modulating 0/10V valves. Should the action of the valves be not sufficient to keep the temperature within the set threshold, the system will actuate a refrigerating circuit. The system should also be equipped with a general alarm signal.

Solution: use a 4-output model (IR32A or IRDRA). Program the instrument using the special parameters; start from the factory-set C0=2.

Here is the list of the configuration parameters to be modified (password 77): C12=0.2 C33=1

OUT1: C34=2 C35=1 C36=50 C37=-50
OUT2: C38=2 C39=0 C40=100 C41=-50
OUT3: C42=1 C43=1 C44=-100 C45=100
OUT4: C46=3 remaining parameters unchanged

The graph below shows the new control logic:

Connections:

Use two modules CONVONOFF0 to manage alarm and compressor outputs. Other two CONV0/10A0 modules will manage the analogue outputs.

All modules and the IR can be powered from the same 24Vac transformer.

Power the COV0/10A0 module and the valve from the same transformer respecting the G0 polarity.

In this case the power supply G0 from transformer to modules must correspond to the G0 to the valve (sometimes indicated with L2 or N).

Earth the secondary of the transformer at point identified with G0.

To link up the various IR instruments to the modules, connect the outputs' "+" and "-" to the dedicated Y+ and Y- on the corresponding modules.

12.3 Modulo Alimentatore/Convertitore cod. CONV0/1L00

Alimentatore: il modulo fornisce in uscita (morsetti 3 e 4) una tensione di 24 Vdc (max 40 mA) galvanicamente isolata dalla tensione di ingresso (morsetti 1 e 2) di 24 Vac.

Questo permette di collegare sonda e regolatore alla stessa alimentazione di 24 Vac come indicato nelle figure 53 e 54.

Convertitore: Il modulo permette di convertire un segnale modulante standard 0/10 Vdc (normalmente fornito da una sonda o da un'altro regolatore) nello standard 0/1 Vdc utilizzato dalla maggior parte degli strumenti Carel.

12.3 Power supply/Converter module (code CONV0/1L00)

Power supply: this module provides a 24Vdc (max 40mA) output voltage (terminals 3 and 4) galvanically isolated from the 24Vac input voltage (terminals 1 and 2).

This allows you to connect sensor and regulator to the same 24Vac power source as shown below in fig. 53 and 54.

Converter: this module permits to convert a modulating 0/10V (normally supplied by a sensor or a second controller) into the standard 0/1V commonly used by most of Carel instruments.

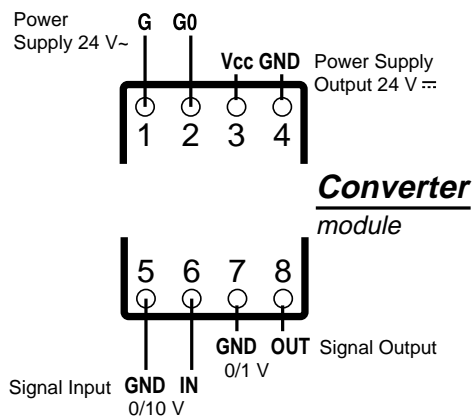


Fig.52

Descrizione della morsettiera

- 1 (G) = alimentazione 24 V~
- 2 (G0) = riferimento 24 V~ alimentazione
- 3 (Vcc) = positivo alimentazione moduli esterni 24 Vdc
- 4 (GND) = riferimento alimentazione di Vcc (connesso anche con 5 e 7)
- 5 (GND) = riferimento segnale in ingresso 0/10 Vdc
- 6 (IN) = ingresso segnale 0/10 Vdc
- 7 (GND) = riferimento segnale in ingresso 0/1 Vdc
- 8 (OUT) = uscita segnale 0/1 Vdc

Terminal block

- 1 (G) = power supply 24V~
- 2 (G0) = reference 24V~ power supply
- 3 (Vcc) = positive power supply to external modules 24Vdc
- 4 (GND) = Vcc power supply reference (connected to 5 and 7)
- 5 (GND) = input signal reference 0/10Vdc
- 6 (IN) = input signal 0/10Vdc
- 7 (GND) = input signal reference 0/1Vdc
- 8 (INP) = output signal 0/1Vdc

Caratteristiche tecniche

Alimentazione

tensione: 24 V~ ±10% 50/60 Hz
assorbimento massimo: 180 mA

Uscita 24 Vdc

tensione di uscita: 24 Vdc ±20%
corrente massima di uscita: 40 mA

Ingresso in tensione

standard elettrico: 0/10 V
impedenza d'ingresso: 140 KΩ ±10%
minima tensione di ingresso: 0 V
massima tensione d'ingresso: 15 V

Uscita in tensione

standard elettrico: 0/1 V
massima corrente d'uscita: 1 mA
tempo di risalita tipico: (10% - 90%): <1 ms
errore massimo: 3,5% f.s.
valore uscita 1 V nominale: 1/1,005 V
valore uscita 0 V nominale: 0/0,009 V

Technical characteristics

Power supply

voltage: 24V~ ±10% 50/60Hz
max. absorption: 180mA

24Vdc Output

output voltage: 24Vdc ±20%
maximum output voltage: 40mA

Voltage input

electrical standard: 0/10V
input impedance: 140KΩ ±10%
minimum input voltage: 0V
maximum input voltage: 15V

Voltage output

electrical standard: 0/1V
maximum output voltage: 1mA
typical response time: (10% - 90%): <1ms
maximum error: 3.5% full scale
rated 1V output: 1-1.005V
rated 0V output: 0/0.009V

Caratteristiche meccaniche

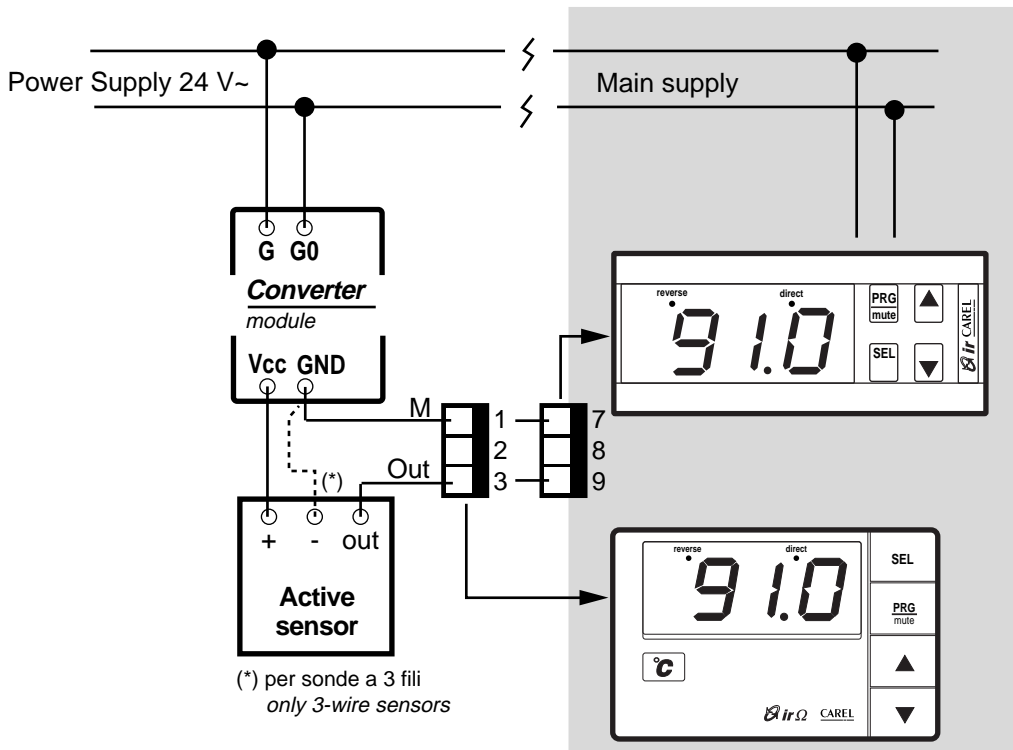
protezione: IP20
dimensioni: 87x36x60 mm (2 moduli DIN)
montaggio: a guida DIN
sezione minima cavi di collegamento: 0,75 mm²
sezione massima cavi di collegamento: 2,5 mm²
distanza massima collegamenti agli ingressi/uscite: 3 m
temperatura e umidità di immagazz.: -10T70°C - 90% U.R.
temperatura e umidità di esercizio: 0T50°C - 90% U.R.
inquinamento ambientale: normale
limiti di temperatura superfici: come la temp. di esercizio

Mechanical characteristics

protection index: IP20
dimensions: 87x36x60mm (2 DIN modules)
mounting: DIN rail
min. section of connecting cables: 0.75mm²
max. section of connecting cables: 2.5mm²
maximum distance of connections to outputs/inputs: 3m
storage temperature and humidity: -10T70°C - 90% rH
operating temperature and humidity: 0T50°C - 90% rH
environmental pollution: normal
extreme surface temper. conditions: as operating temper.

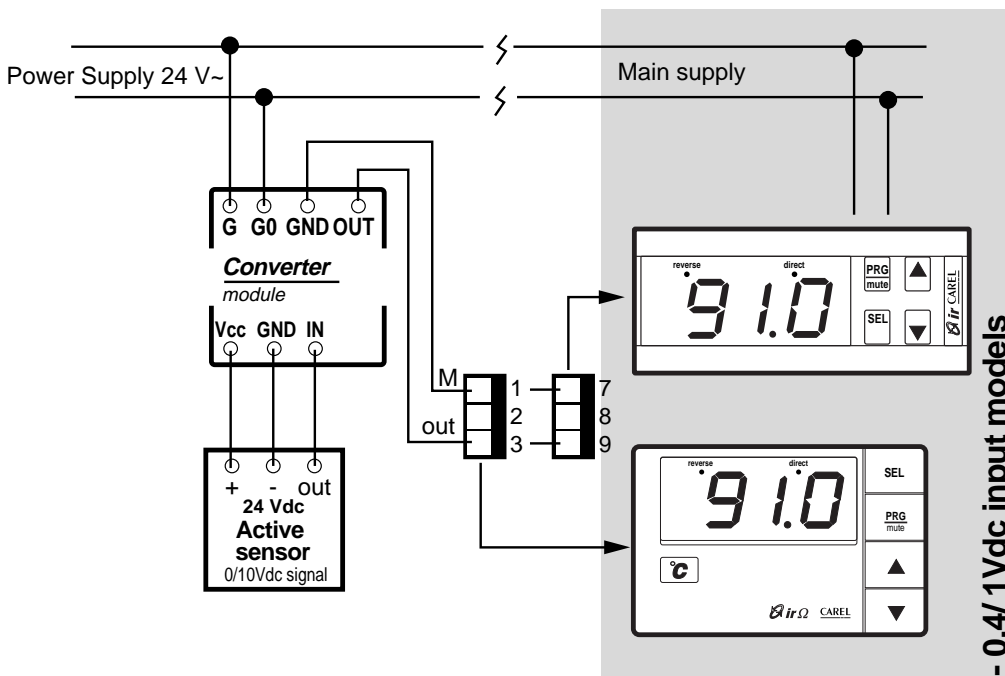
I diagrammi sottostanti rappresentano due tipici esempi del collegamento della sezione alimentatore e alimentatore/convertitore con una sonda esterna.

The figures below show two typical connections between power supply and power supply/converter to an external sensor.



Lo schema è valido per sonde alimentabili a 24 Vdc, con segnali in tensione (IR con ingresso -0,4/ 1Vdc) e in corrente (IR con ingresso 0/20-4/20 mA).
 This diagram is effective for both dc voltage signal, with power supply 24Vdc (IR -0.4/ 1Vdc input) and current signal (IR - 0/20-4/20mA input) sensors.

Fig.53



Lo schema è valido per sonde 0/10 Vdc, 3 fili, alimentabili a 24 Vdc.
 This diagram is effective for probes 0/10Vdc, 3 wires, with power supply 24Vdc.

Fig.54

13. Caratteristiche tecniche dei modelli serie Infrared Universale

Ingressi:

a seconda del modello

temperatura: NTC, Pt100, termocoppie K/J
in corrente: 4/20 mA o 0/20 mA
in tensione: -0,4/1 Vdc

Campo di funzionamento:

NTC: -50/90 °C,
Pt100: -100/600 °C,
TcK: -100/999 °C,
TcJ: -100/800 °C

corrente e tensione: -99/999

Risoluzione:

0,1 da -9,9 a 99,9
1 nel campo restante

Precisione controllo:

± 0,5 % del fondo scala

Alimentazione:

tensione:

IR32V, D, W, Z e A: da 12 a 24 Vac-dc ±10%
IR32V*H: da 110 a 240 Vac-dc ±10%
IRDRV e W: 24 Vac ±10% e 220/240 Vac ±10%
IRDRT: 220/240 Vac ±10%
IRDRA e IRDRZ: da 12 a 24 Vac-dc, ±10%

assorbimento:

IR32D, IR32V: 2 VA
IR32A, IR32W, IR32Z e IR32V*H: 3 VA
IRDRA, IRDRTE, IRDRV, IRDRW: 3 VA
IRDRZ: 4 VA

uscita alimentazione sonda:

10 Vdc, max 30mA (8 Vdc per IRDRW)

Condizioni di utilizzo:

temperatura di lavoro: 0T50 °C
temperatura immagazzinamento: -10T70 °C
umidità relativa ambientale: inferiore al 90% U.R., non condensante
inquinamento ambientale: normale

Isolamenti:

Le parti in "Bassa" tensione presentano un isolamento principale rispetto alle parti in bassissima tensione. Fra le parti in bassissima tensione e il frontale esiste un isolamento supplementare. I particolari in bassissima tensione (ingresso sonde, ingresso digitale e uscite 10 Vdc per SSR - relè a stato solido, collegamento seriale e alimentazione*), non presentano alcun isolamento.

*Nota: per l'alimentazione sono esclusi i modelli IRDRV, IRDRW e IR32*H, che presentano un isolamento principale.

Uscite:

Numero relè (a seconda del modello):
IR32 per NTC: 1, 2 o 4 relè SPDT altri IR32V: 1 relè SPST
IR32W: 1 relè SPST + 1 SPDT
IR32Z: 1 relè SPST + 3 SPDT
IRDRT, IRDRV e W: 1 o 2 relè SPDT
IRDRZ: 1° e 2° relè SPDT, 3° e 4° relè SPST

Uscite per SSR (Relè stato solido)

Numero uscite (a seconda del modello):
IR32D: 1
IR32A e IRDRZ: 4

13. Technical specifications of Universal Infrared Instruments

Inputs:

depending on the model

temperature: NTC, Pt100, K/J Thermocouples
current 4/20mA or 0/20mA
voltage -0,4/+1Vdc

Operating range:

NTC: -50/90 °C;
Pt100: -100/600 °C,
ThcK: -100/999 °C;
ThcJ: -100/800 °C
current/voltage: -99/999

Resolution:

0.1 from -9.9 to 99.9
1 in the remaining field

Accuracy:

±0.5% of the full scale

Power supply:

voltage:

IR32V,D,W,Z,A: from 12 to 24Vac-dc ±10%
IR32V*H: from 110 to 240Vac-dc ±10%
IRDRA & W: 24Vac ±10% and 220/240Vac ±10%
IRDRT: 220/240Vac ±10%
IRDRA, IRDRZ: from 12 to 24Vac-dc, ±10%

power consumption:

IR32D, IR32V: 2VA;
IR32A, IR32W, IR32Z and IR32V*H: 3VA
IRDRA, IRDRTE, IRDRV, IRDRW: 3VA
IRDRZ: 4VA

sensor power supply output:

10Vdc, max 30mA (8Vdc for IRDRW)

Operating conditions:

working temperature: 0T50°C
storage temperature: -10T70°C
ambient relative humidity: lower than 90%rH, not condensing
ambient pollution: normal

Insulation:

low voltage sections have a main insulation in comparison with the very low voltage ones.
There is extra insulation between very low voltage sections and the front panel of the instrument. Very low voltage components (sensor inputs, digital input, 10Vdc outputs for SSR, serial connection and power supply*) do not have any insulation.

*Important: except models IRDRV, IRDRW and IR32*H, complete with main insulation.

Outputs:

Number of relays (depending on the model):
IR32 for NTC: 1, 2 or 4 SPDT relays, other IR32V: 1 SPST relay;
IR32W: 1 SPST relay + 1 SPDT;
IR32Z: 1 SPST relay + 3 SPDT;
IRDRT, IRDRV & W: 1 or 2 SPDT relays
IRDRZ: 1st & 2nd relay SPDT, 3rd & 4th SPST

Outputs for Solid State Relays:

Number of outputs (depending on the model):
IR32D: 1
IR32A e IRDRZ: 4

Caratteristiche relè (tutti i modelli):

max. tensione 250 Vac, max. potenza 2000 VA
max. corrente di spunto 10 A

Caratteristiche segnale per SSR (Relè stato solido):

Tensione uscita: 10 Vdc
Resistenza uscita: 660 Ω
Massima corrente uscita: 15 mA

Disconnessione:

di tipo 1C secondo norme ECC EN 60730-1

Caratteristiche meccaniche:

Connessioni strumento:
IR32: montaggio a pannello con staffa
IRDR: montaggio su guida DIN

Contenitori:

plastici, autoestinguenza IR32 secondo UL94-VO

Grado di protezione:

IR32: IP65 con strumento montato a pannello
IRDR: IP40 con strumento montato a quadro

Collegamenti:

tramite morsetti a vite sezione minima di 0,5 mm²
massima 1,5 mm²

Collegamento seriale*:

IR32: tramite accessori IR32SER000 e IR32SER00E
IRDR: tramite accessori IRDRSER000 e IRDRSER00E
*non possibile con i modelli IRDRTE, IR32V*H

Modifica parametri:

da tastiera, da seriale e da telecomando.

Avvertenze: i cavi usati devono resistere alla massima temperatura d'esercizio, ovvero alla massima temperatura ambiente prevista tenendo presente l'auto riscaldamento del controllo pari a 20 °C con le uscite tutte alla massima portata.

13.1 Caratteristiche tecniche del telecomando

codici: IRTRRU(*)000
(*): I=lingua Italiana, E=Inglese, D=Tedesco

alimentazione: n. 2 batterie alkaline stilo da 1,5 V (tipo UM-4 AAA, IEC R03)
contenitore: plastico
dimensioni: 60x160x18 mm
immagazzinamento: -25÷70 °C
condizioni di lavoro: - temperatura: 0÷50°C
- umidità: <90% U.R.
non condensante

tipo di trasmissione: infrarosso
peso: 80 g (privo di batterie)

Relay features (all models):

Max. voltage 250Vac, max. power 2000VA,
Max. inrush current 10A.

Signal for SSR:

Output voltage: 10Vdc
Output resistance: 660
Max. outputs voltage: 15mA

Disconnection:

Type 1C according to ECC EN 60730-1 standards

Mechanical features:

Connections:
IR32: panel mounted with hanger
IRDR: DIN rail mounted

Cases:

Plastic, IR32 autoextinguishing according to UL94-40 standards

Protection index:

IR32: IP65 with panel mounted instrument
IRDR: IP40 with panel mounted instrument

Connections:

Through screw terminals min. sect. 0,5mm²
max. sect. 1.5mm²

Serial connection*:

IR32: through IR32SER000 and IR32SER00E accessories
IRDR: through IRDRSER and IRDRSER00E accessories
*not available in IRDRTE, IR32V*H

Parameters modification

via keyboard, serial connection and remote control.

Important: cables should resist to the maximum ambient temperature, keeping in mind that the controllers are subject to self heating up to 20°C when all outputs are energized.

13.1 Technical specifications of the remote control

codes: IRTRRU(*)000
(*): I=Italian, E=English, D=Germany

power supply: 2 alkaline batteries, 1.5V (type UM-4 AAA, IEC R03)
case: plastic
dimensions: 60x160x18mm
storage temperature: -25÷70 °C
working range: - temperature: 0÷50 °C
- humidity: lower than 90%rH
non-condensing

transmission: infrared
weight: 80g (without batteries)

14. Schemi di collegamento

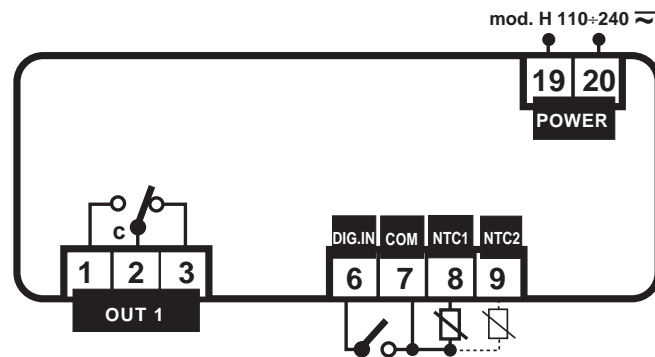
14. Wiring diagrams

14.1 IR32 versioni con ingresso NTC

14.1 IR32 with NTC input

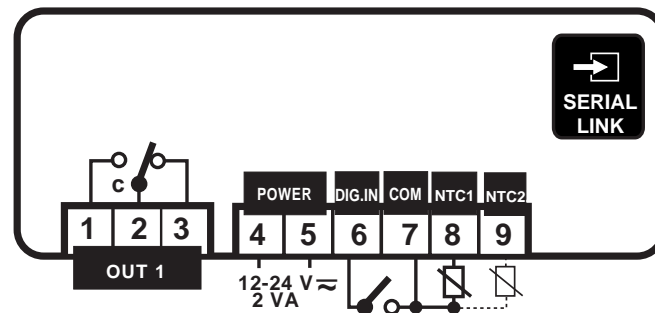
IR32V – NTC: Versione V, alimentazione 110/240 Vac-dc

IR32V - NTC: V version, power supply 110/240Vac-dc



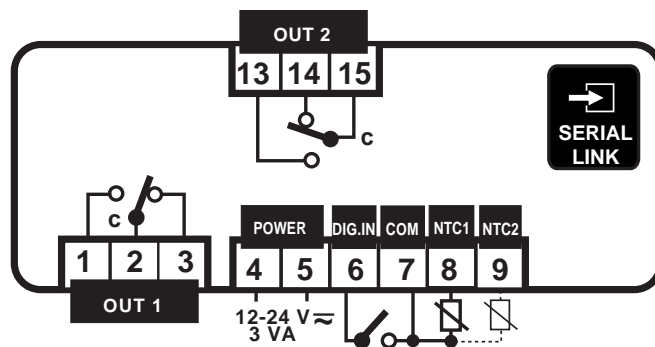
IR32V – NTC: con alimentazione 12/24 Vac-dc

IR32V - NTC: power supply 12/24Vac-dc



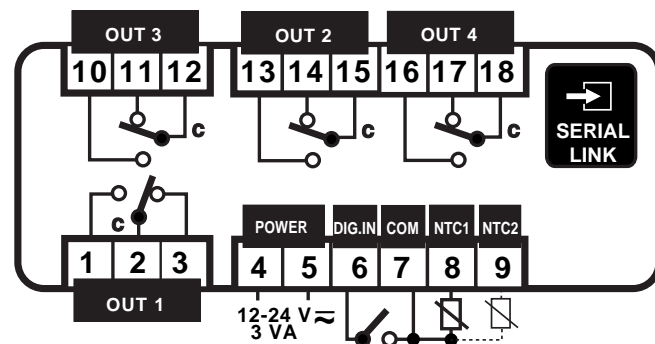
IR32W – NTC: con alimentazione 12/24 Vac-dc

IR32W - NTC: power supply 12/24Vac-dc



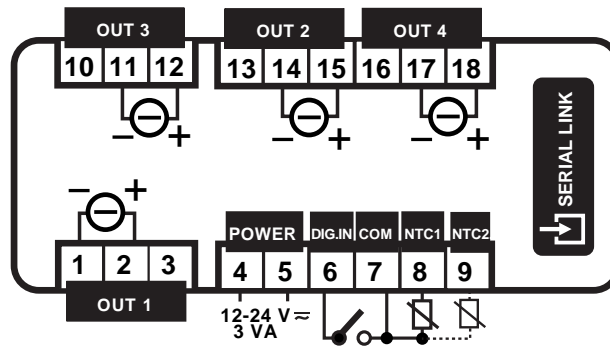
IR32Z – NTC: con alimentazione 12/24 Vac-dc

IR32Z - NTC: power supply 12/24Vac-dc



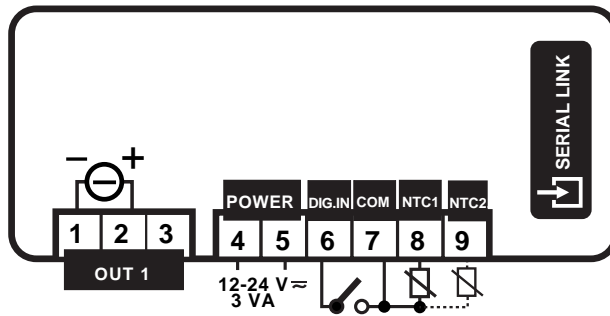
IR32A – NTC: alimentazione 12/24 Vac-dc

IR32A - NTC: power supply 12/24Vac-dc



IR32D – NTC: alimentazione 12/24 Vac-dc

IR32D - NTC: power supply 12/24Vac-dc

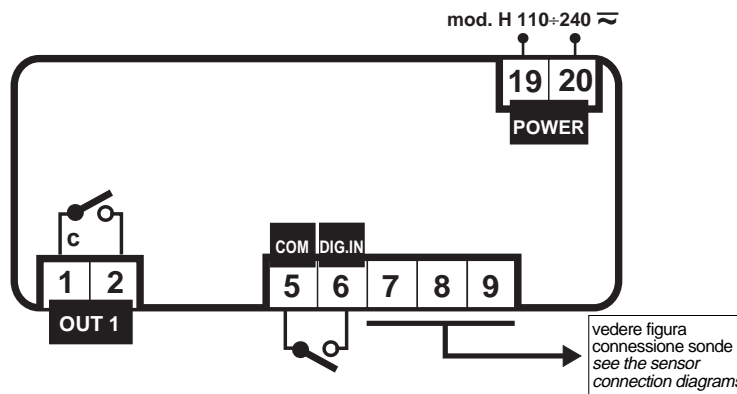


14.2 IR32 versioni con ingresso Pt100, Tc J/K o V, I

14.2 IR32 with Pt100, J/K tc or V/I input

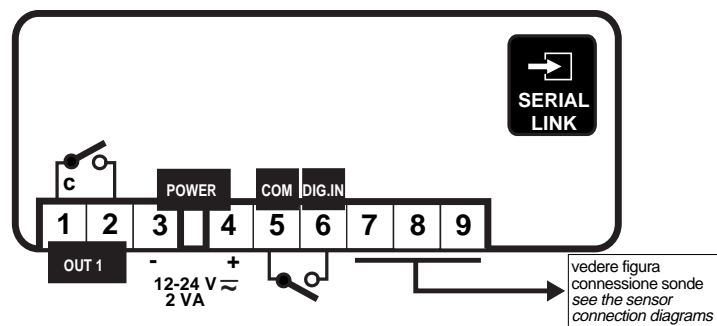
IR32V: con alimentazione 110/240 Vac-dc

IR32V: power supply 110/240Vac-dc



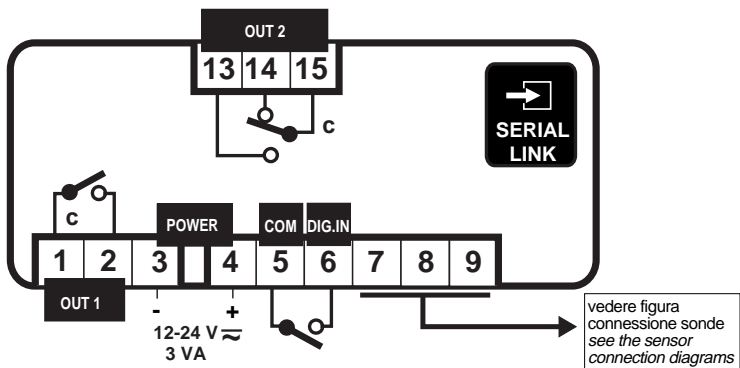
IR32W: con alimentazione 12/24 Vac-dc

IR32W: power supply 12/24Vac-dc



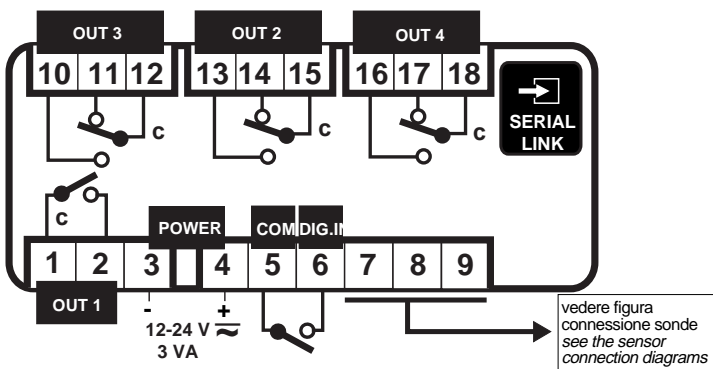
IR32W: con alimentazione 12/24 Vac-dc

IR32W: power supply 12/24Vac-dc



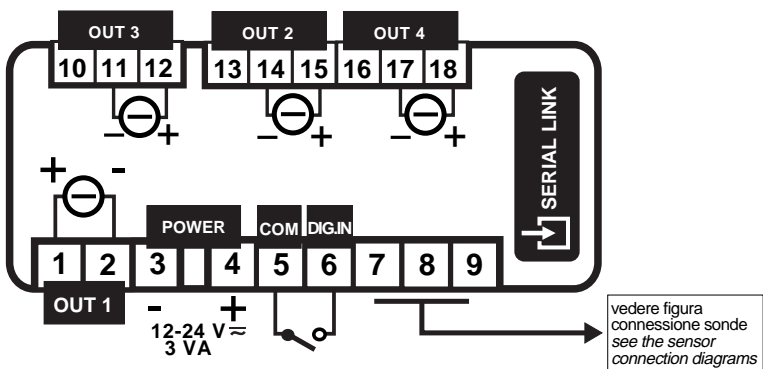
IR32Z: con alimentazione 12/24 Vac-dc

IR32Z: power supply 12/24Vac-dc



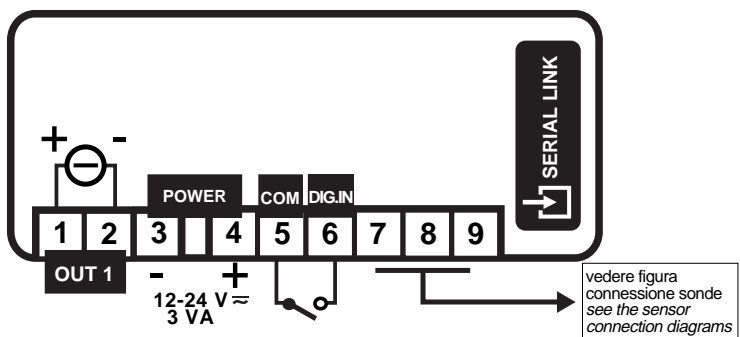
IR32A: con alimentazione 12/24 Vac-dc

IR32A: power supply 12/24Vac-dc



IR32D: alimentazione 12/24 Vac-dc

IR32D: power supply 12/24Vac/dc

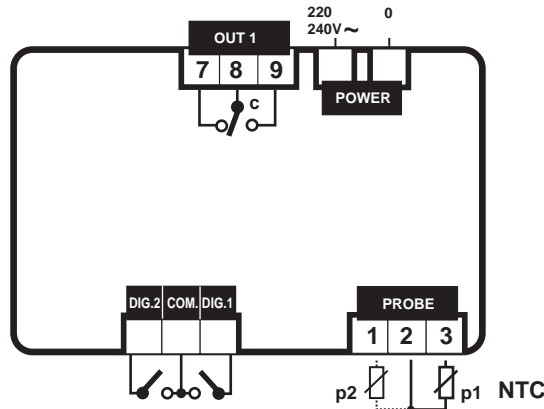


14.3 Versioni IRDR

14.3 IRDR Versions

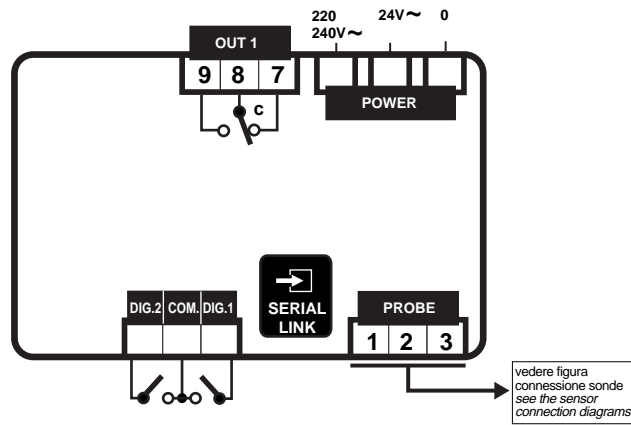
IRDRTE – NTC: alimentazione 220/240 Vac, ingresso NTC

IRDRTE – NTC: power supply 220/240Vac, NTC input



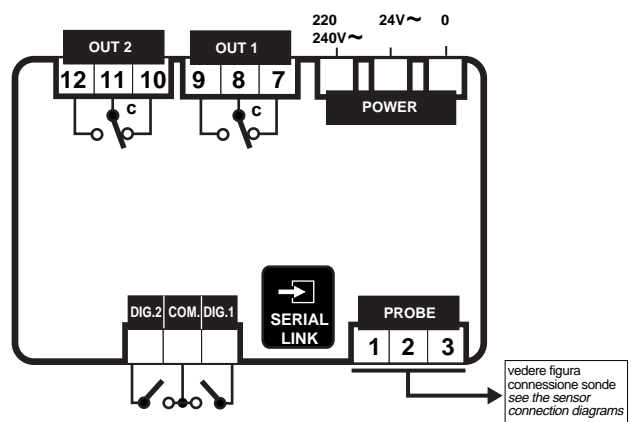
IRDRV: con alimentazione 24 Vac o 220/240 Vac, ingresso NTC, Pt100, J/K, V, I

IRDRV: power supply 24Vac or 220/240Vac, NTC/Pt100/J-K Tc/V/I input



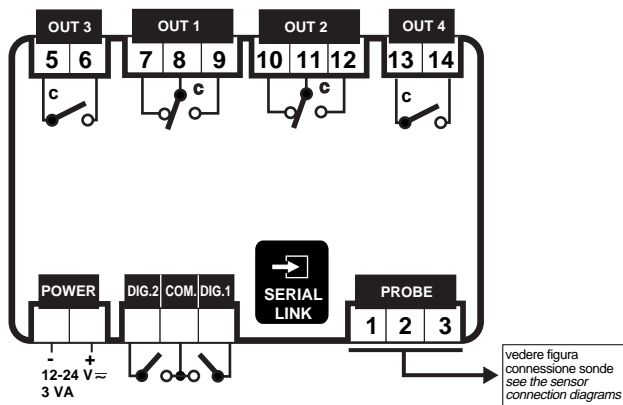
IRDRW: con alimentazione 24 o 220/240 Vac, ingresso NTC, Pt100, Tc J/K, V, I

IRDRW: power supply 24 or 220/240Vac, NTC/Pt100/J-K Tc/V/I input



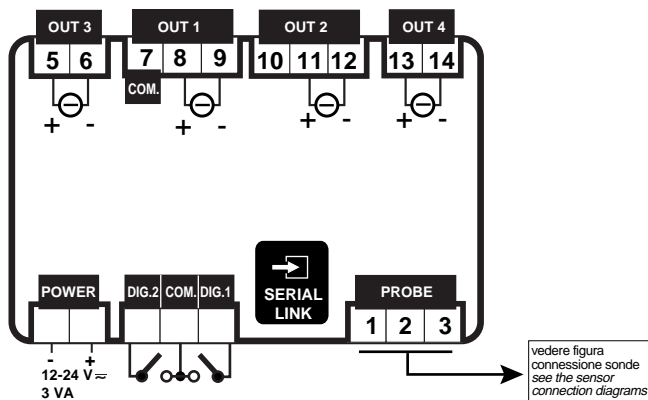
Versione IRDRZ, con alimentazione 12/24 Vac, ingresso NTC, Pt100, Tc J/K, V/I

IRDRZ: power supply 12/24Vac, NTC/Pt100/J-K Tc/V/I input



Versione IRDRA: alimentazione 12/24 Vac-dc, ingresso NTC, Pt100, Tc J/K, V, I

IRDRA: power supply 12/24Vac-dc, NTC/Pt100/J-K Tc/V/I input

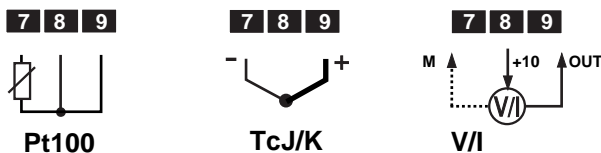


14.4 Connessione sonde

IR32 (*)

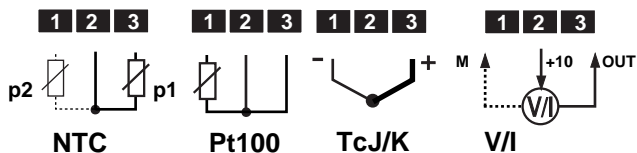
14.4 Sensor connection diagrams

IR32 (*)



IRDR (*)

IRDR (*)



(*) ad ogni tipo di sonda corrisponde uno specifico modello

(*) each sensor corresponds to a specific model

Note:

- 1) nel caso di sonde Pt100 a 2 fili cortocircuitare i morsetti 8 e 9 (IR32) o 2 e 3 (IRDR);
- 2) collegare l'eventuale schermatura della sonda alla terra del quadro elettrico. Nel caso di termocoppie, è necessario usare sonde con cavo compensato schermato per avere una corretta immunità ai disturbi;
- 3) per le sonde in tensione o corrente considerare che la massima tensione fornita è 10 Vdc @ 30 mA (max 8Vdc per IRDRW).

Important:

- 1) When using 2-wire Pt100 sensors, short circuit terminals 8 and 9 (IR32) or 2 and 3 (IRDR).
- 2) Connect the sensor shielding to the earth of the electrical panel. When using thermocouples, use sensors with shielded cables to avoid noises.
- 3) When using voltage or current sensors consider that the maximum voltage output is 10 Vdc @ 30mA (max 8Vdc for IRDRW).

Glossario

Calibrazione sonda: permette di variare l'indicazione visualizzata dallo strumento per compensare errori o differenze con altri strumenti. Ciò è permesso tramite il parametro P14.

Differenziale o isteresi: permette di regolare l'inserimento delle uscite quando la grandezza regolata si scosta dal set. Senza differenziale si passerebbe repentinamente da uscite tutte OFF (grandezza uguale al SET) a uscite tutte ON (grandezza diversa dal SET). Il differenziale permette un inserimento graduale delle uscite, che saranno inserite solo quando la differenza tra grandezza regolata e il set supera il valore del differenziale. Normalmente un differenziale 'stretto' mantiene la grandezza regolata molto vicino al set, ma può provocare frequenti accensioni/spegnimenti dei dispositivi controllati e pendolazioni. Nel caso sia richiesta una regolazione molto precisa, invece di selezionare un differenziale stretto, si può attivare la regolazione P+I, tramite parametro c5.

Differenziale allarme: è l'isteresi prevista per gli allarmi (parametro P27). Un differenziale anche minimo è necessario per evitare pendolazioni, ovvero inserimenti e disinserimenti successivi degli allarmi dovuti a piccole variazioni della grandezza misurata. I regolatori della Serie Infrared escono di fabbrica con il differenziale allarmi impostato a "2". Gli allarmi di "Alta" e "Bassa" sono a reinserimento automatico, ovvero quando la grandezza misurata "rientra" di un valore pari al differenziale, l'allarme viene automaticamente annullato.

Direct (Azione direct): un regolatore agisce in Direct quando opera un'azione di contenimento sulla grandezza che sta aumentando. Il funzionamento Direct è tipico, ad es., degli impianti di refrigerazione: all'aumentare della temperatura misurata aumenta la potenza frigorifera prodotta e ciò al fine di far diminuire la temperatura stessa.

Punto di lavoro o set-point (o set): si tratta del valore della grandezza fisica controllata che deve essere mantenuto. Ad esempio il valore della temperatura a cui si vuole far lavorare un forno. Quando la grandezza regolata arriva al valore di set, tutte le uscite sono disattivate.

Reverse (Azione reverse): si parla invece di funzionamento Reverse quando l'azione tende a contrastare la diminuzione della grandezza regolata. Ciò avviene ad esempio negli impianti di riscaldamento dove si deve contrastare la diminuzione di temperatura attivando la produzione di calore.

Set allarme di "Alta" e set allarme di "Bassa": è possibile controllare la grandezza regolata all'interno di un limite inferiore e un limite superiore. Quando lo strumento rileva un valore esterno ai limiti impostati visualizza un codice di allarme e genera un allarme sonoro (nei modelli provvisti di buzzer). I valori di "Alta" e "Bassa", nella configurazione di fabbrica, sono considerati come valori assoluti e quindi, per evitare che i limiti di allarme intervengano durante la normale regolazione, essi devono essere esterni all'intervallo individuato dai due set-point e differenziale. Per le versioni con numero di serie superiore a 100.000, il set di allarme può essere impostato anche relativo. Si rimanda al parametro P27 per ulteriori spiegazioni.

Set points multipli: esistono applicazioni con 2 set-point: è il caso, ad esempio, di un impianto di riscaldamento che lavori con due diversi set-point, uno per il funzionamento diurno ed uno per quello notturno, oppure un impianto di condizionamento con un set estivo ed uno invernale. I regolatori della serie Infrared possono gestire anche 2 set-point.

Tempo di ritardo attuazione allarme: permette di ritardare la segnalazione dell'allarme. Il regolatore attiva l'allarme solo se le condizioni di allarme permangono per il ritardo selezionato (vedi P28).

Zona neutra o zona morta: indica un intervallo attorno al set-point in cui la grandezza regolata può oscillare senza che sia necessario inserire alcuna uscita. Il concetto è ripreso nella descrizione dei Modi 3, 4 e 5.

Glossary

Sensor calibration: allows you to vary the value indicated on the display of the instrument in order to compensate errors or deviations from other instruments. To do this use parameter P14.

Differential or hysteresis: as the controller makes the outputs energize any time the controlled variable deviates from the set-point, setting the differential avoids sudden energizations and disenergizations of the outputs (that would occur any time the controlled variable deviates from the set-point). The differential makes the outputs energize only when the difference between the controlled variable value and the set-point goes beyond the differential itself. A narrow differential range keeps the controlled variable very near the set-point but can cause frequent energizations/disenergizations of the connected devices as well as hunting problems. Should you need a very precise control action, use the P+I control logic (parameter c5).

Alarm differential: it is the hysteresis concerning alarms (parameter P27). Setting an alarm differential, although narrow, is necessary to avoid too frequent energizations/disenergizations of the alarm outputs due to any slight variation of the controlled variable. The Infrared Controllers come with a factory-set alarm differential=2. "High" and "Low" temperature alarms reset automatically (when the controlled variable returns within the set differential range, the alarm is automatically cancelled).

Direct control action: the instrument reduces the controlled variable when it increases too much. The direct control action is the typical operating logic in refrigeration systems: when the measured temperature rises, the controller will actuate the appropriate devices to make the temperature fall.

Set-point: the point at which the desired value of the controlled variable (e.g. temperature) is set. When the controlled variable reaches the set-point, all outputs disenergize.

Reverse control action: the instrument increases the controlled variable when it decreases too much. This occurs in heating systems when the temperature is lower than the temperature for which the instrument is set.

High and Low temperature alarm set-point: higher and lower status point representing the threshold of an OFF-normal condition. When the instrument detects a value that goes beyond the selected range, it will alert the operator by a signal both visual (alarm code) and audible (in models equipped with buzzer). The factory-set "High" and "Low" thresholds are absolute values; therefore they should be set beyond the differential range so as to avoid alarm conditions being detected during normal operation. In versions having serial number above 100,000, alarm set-points can also be relative values (for further information see parameter P27).

Multiple set-points: some applications can be based on two set-points (e.g. heating systems working with two different set-points, one for the day, the other for the night or air-conditioning systems with a summer and a winter set-point). All Infrared Controllers can work with two set-points.

Time-delay before alarm activation: the alarm signal is delayed for a T time, as selected through P28.

Dead (or neutral) zone: the range of values around the set-point within which a variable can be varied without energizing any output. (See Modes 3, 4, 5).

Tabella codici dei modelli serie Infrared universale / Codes of the Universal Infrared Models

DESCRIZIONE / DESCRIPTION

CODICE / CODE

Termostati 1 relè, montaggio a pannello, alimentazione 12÷24 Vac/dc, predisposti per il collegamento seriale
Single-relay thermostat, panel mounted, power supply 12÷24Vac/dc, optional serial connection

IR32V0E: 2 ingressi per sonda NTC / 2 inputs for NTC sensor	IR32V0E000
IR32V1E: 1 ingresso per sonda PT100 / 1 input for PT100 sensor	IR32V1E000
IR32V2E: 1 ingresso per termocoppia J/K / 1 input for J/K thermocouple	IR32V2E000
IR32V3E: 1 ingresso per sonda 4÷20 mA / 1 input for 4÷20mA sensor	IR32V3E000
IR32V4E: 1 ingresso per sonda -0,5÷1 Vcc / 1 input for -0,5÷1Vcc sensor	IR32V4E000

Termostati 1 relè, montaggio a pannello, alimentazione 12÷24 Vac/dc con buzzer, predisposti per seriale e telecomando
Single-relay thermostat, panel mounted, power supply 12÷24Vac/dc with buzzer, optional serial connection and remote control

IR32V0L: 2 ingressi per sonda NTC / 2 inputs for NTC sensor	IR32V0L000
IR32V1L: 1 ingresso per sonda PT100 / 1 input for PT100 sensor	IR32V1L000
IR32V2L: 1 ingresso per termocoppia J/K / 1 input for J/K thermocouple	IR32V2L000
IR32V3L: 1 ingresso per sonda 4÷20 mA / 1 input for 4÷20mA sensor	IR32V3L000
IR32V4L: 1 ingresso per sonda -0,5÷1 Vcc / 1 input for -0,5÷1Vcc sensor	IR32V4L000

Termostati 1 relè, montaggio a pannello, alimentazione 110÷230 Vac/dc con buzzer e predisposti per telecomando
Single-relay thermostat, panel mounted, power supply 110÷230Vac/dc with buzzer, optional remote control

IR32V0H: 2 ingressi per sonda NTC / 2 inputs for NTC sensor	IR32V0H000
IR32V1H: 1 ingresso per sonda PT100 / 1 input for PT100 sensor	IR32V1H000
IR32V2H: 1 ingresso per termocoppia J/K / 1 input for J/K thermocouple	IR32V2H000
IR32V3H: 1 ingresso per sonda 4÷20 mA / 1 input for 4÷20mA sensor	IR32V3H000
IR32V4H: 1 ingresso per sonda -0,5÷1 Vcc / 1 input for -0,5÷1Vcc sensor	IR32V4H000

Termostati 2 relè, montaggio a pannello, alimentazione 12÷24 Vac/dc con buzzer, predisposti per seriale e telecomando
2-relay thermostat, panel mounted, power supply 12÷24Vac/dc with buzzer, optional serial connection and remote control

IR32W0: 2 ingressi per sonda NTC / 2 inputs for NTC sensor	IR32W00000
IR32W1: 1 ingresso per sonda PT100 / 1 input for PT100 sensor	IR32W10000
IR32W2: 1 ingresso per termocoppia J/K / 1 input for J/K thermocouple	IR32W20000
IR32W3: 1 ingresso per sonda 4÷20 mA / 1 input for 4÷20mA sensor	IR32W30000
IR32W4: 1 ingresso per sonda -0,5÷1 Vcc / 1 input for -0,5÷1Vcc sensor	IR32W40000

Termostati 4 relè, montaggio a pannello, alimentazione 12÷24 Vac/dc con buzzer, predisposti per seriale e telecomando
4-relay thermostat, panel mounted, power supply 12÷24Vac/dc with buzzer, optional serial connection and remote control

IR32Z0: 2 ingressi per sonda NTC / 2 inputs for NTC sensor	IR32Z00000
IR32Z1: 1 ingresso per sonda PT100 / 1 input for PT100 sensor	IR32Z10000
IR32Z2: 1 ingresso per termocoppia J/K / 1 input for J/K thermocouple	IR32Z20000
IR32Z3: 1 ingresso per sonda 4÷20 mA / 1 input for 4÷20mA sensor	IR32Z30000
IR32Z4: 1 ingresso per sonda -0,5÷1 Vcc / 1 input for -0,5÷1Vcc sensor	IR32Z40000

Termostato 1 relè, montaggio su guida DIN, alimentazione 230 Vac, predisposti per telecomando
Single-relay thermostat, DIN rail mounted, power supply 230Vac, optional remote control

IRDRTE: 2 ingressi per sonda NTC / 2 inputs for NTC sensor	IRDRTE0000
--	------------

Termostati 1 relè, montaggio su guida DIN, alimentazione 24 e 230 Vac, predisposti per seriale, buzzer e telecomando
Single-relay thermostat, DIN rail mounted, power supply 24 and 230Vac, optional serial connection, buzzer and remote control

IRDRV0: 2 ingressi per sonda NTC / 2 inputs for NTC sensor	IRDRV00000
IRDRV1: 1 ingresso per sonda PT100 / 1 input for PT100 sensor	IRDRV10000
IRDRV2: 1 ingresso per termocoppia J/K / 1 input for J/K thermocouple	IRDRV20000
IRDRV3: 1 ingresso per sonda 4÷20 mA / 1 input for 4÷20mA sensor	IRDRV30000
IRDRV4: 1 ingresso per sonda -0,5÷1 Vcc / 1 input for -0,5÷1Vcc sensor	IRDRV40000

Termostati 2 relè, montaggio su guida DIN, alimentazione 24 e 230 Vac con buzzer, predisposti per seriale e telecomando
2-relay thermostat, DIN rail mounted, power supply 24 and 230Vac, with buzzer, optional serial connection and remote control

IRDRW0: 2 ingressi per sonda NTC / 2 inputs for NTC sensor	IRDRW00000
IRDRW1: 1 ingresso per sonda PT100 / 1 input for PT100 sensor	IRDRW10000
IRDRW2: 1 ingresso per termocoppia J/K / 1 input for J/K thermocouple	IRDRW20000
IRDRW3: 1 ingresso per sonda 4÷20 mA / 1 input for 4÷20mA sensor	IRDRW30000
IRDRW4: 1 ingresso per sonda -0,5÷1 Vcc / 1 input for -0,5÷1Vcc sensor	IRDRW40000

Termostati 4 relè, montaggio su guida DIN, alimentazione 12÷24 Vac/dc con buzzer, predisposti per seriale, telecomando
4-relay thermostat, DIN rail mounted, power supply 12÷24Vac/dc, with buzzer, optional serial connection and remote control

IRDRZ0: 2 ingressi per sonda NTC / 2 inputs for NTC sensor	IRDRZ00000
IRDRZ1: 1 ingresso per sonda PT100 / 1 input for PT100 sensor	IRDRZ10000
IRDRZ2: 1 ingresso per termocoppia J/K / 1 input for J/K thermocouple	IRDRZ20000
IRDRZ3: 1 ingresso per sonda 4÷20 mA / 1 input for 4÷20mA sensor	IRDRZ30000
IRDRZ4: 1 ingresso per sonda -0,5÷1 Vcc / 1 input for -0,5÷1Vcc sensor	IRDRZ40000

Termostati con 1 uscita 10 Vdc per comando Relè Stato Solido (SSR), montaggio a pannello, alimentazione 12÷24 Vac/dc con buzzer, predisposti per seriale e telecomando
10Vdc single-output thermostat to actuate Solid State Relay (SSR), panel mounted, power supply 12÷24Vac/dc with buzzer, optional serial connection and remote control

IR32D0L: 2 ingressi per sonda NTC / 2 inputs for NTC sensor	IR32D0L000
IR32D1L: 1 ingresso per sonda PT100 / 1 input for PT100 sensor	IR32D1L000
IR32D2L: 1 ingresso per termocoppia J/K / 1 input for J/K thermocouple	IR32D2L000
IR32D3L: 1 ingresso per sonda 4÷20 mA / 1 input for 4÷20mA sensor	IR32D3L000
IR32D4L: 1 ingresso per sonda -0,5÷1 Vcc / 1 input for -0,5÷1Vcc sensor	IR32D4L000

Termostati con 4 uscite 10 Vdc per comando Relè Stato Solido (SSR), montaggio a pannello, alimentazione 12÷24 Vac/dc con buzzer, predisposti per seriale e telecomando
4-output thermostat to actuate Solid State Relay (SSR), panel mounted, power supply 12÷24Vac/dc with buzzer, optional serial connection and remote control

IR32A0: 2 ingressi per sonda NTC / 2 inputs for NTC sensor	IR32A00000
IR32A1: 1 ingresso per sonda PT100 / 1 input for PT100 sensor	IR32A10000
IR32A2: 1 ingresso per termocoppia J/K / 1 input for J/K thermocouple	IR32A20000
IR32A3: 1 ingresso per sonda 4÷20 mA / 1 input for 4÷20mA sensor	IR32A30000
IR32A4: 1 ingresso per sonda -0,5÷1 Vcc / 1 input for -0,5÷1Vcc sensor	IR32A40000

Termostati con 4 uscite 10 Vdc per comando Relè Stato Solido (SSR), montaggio su guida DIN, alimentazione 12÷24 Vac/dc con buzzer, predisposti per seriale e telecomando
10Vdc 4-output thermostat to actuate Solid State Relay (SSR), panel mounted, power supply 12÷24Vac/dc with buzzer, optional serial connection and remote control

IRDRA0: 2 ingressi per sonda NTC / 2 inputs for NTC sensor	IRDRA00000
IRDRA1: 1 ingresso per sonda PT100 / 1 input for PT100 sensor	IRDRA10000
IRDRA2: 1 ingresso per termocoppia J/K / 1 input for J/K thermocouple	IRDRA20000
IRDRA3: 1 ingresso per sonda 4÷20 mA / 1 input for 4÷20mA sensor	IRDRA30000
IRDRA4: 1 ingresso per sonda -0,5÷1 Vcc / 1 input for -0,5÷1Vcc sensor	IRDRA40000

Tabella codici dei modelli del telecomando / 1.4 Codes of Remote Control Models

Telecomando versione in lingua italiana / Remote control in Italian	IRTRUI0000
Telecomando versione in lingua inglese / Remote control in English	IRTRUE0000
Telecomando versione in lingua francese / Remote control in French	IRTRUF0000
Telecomando versione in lingua tedesca / Remote control in German	IRTRUD0000

Tabella codici moduli opzionali / 1.5 Codes of Optional Modules

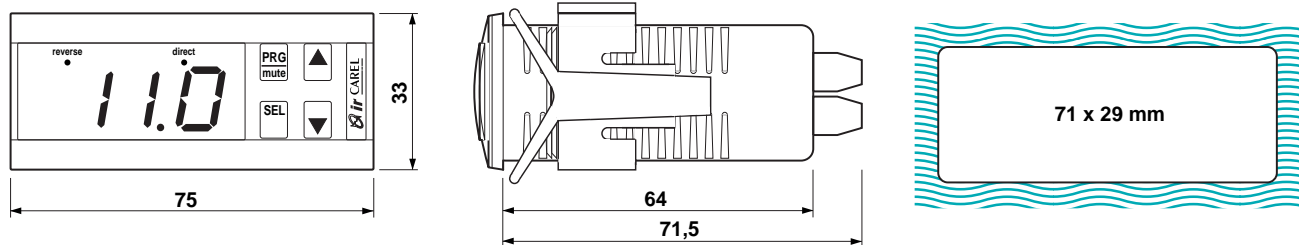
Modulo per conversione segnale PWM in uscita analogica 0/10 V o 4/20 mA Module for PWM signal conversion into analogue output 0/10V or 4/20 mA	CONV0/10A0
Modulo alimentatore (da 24 Vac a 24 Vdc) e convertitore di segnale da 0/10 Vdc a 0/1 Vdc Power Supply module (from 24Vac to 24Vdc) and signal converter (from 0/10Vdc to 0/1Vdc)	CONV0/1L00
Modulo per conversione segnale PWM in uscita ON/OFF a relè Module for PWM signal conversion into ON/OFF relay output	CONV0N0FF0

Dimensioni

Dimensions

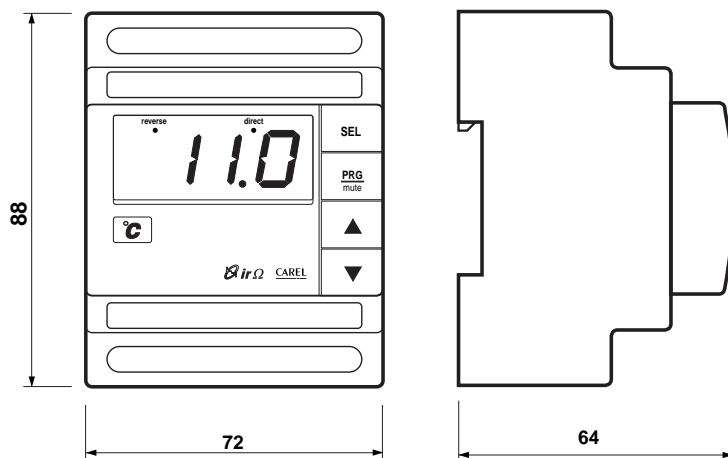
IR32 - montaggio da pannello

IR32 - Panel mounting



IRDR - montaggio da guida DIN

IRDR - Din rail mounting



Moduli opzionali

Optional modules



CAREL

Tecnologia ed Evoluzione

CAREL srl

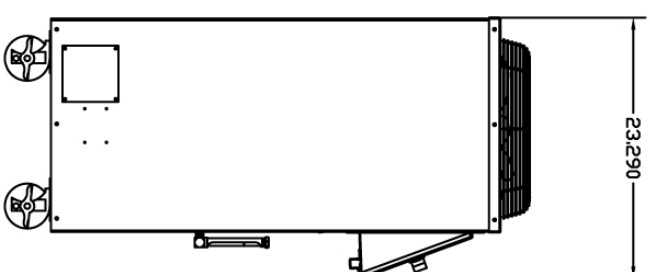
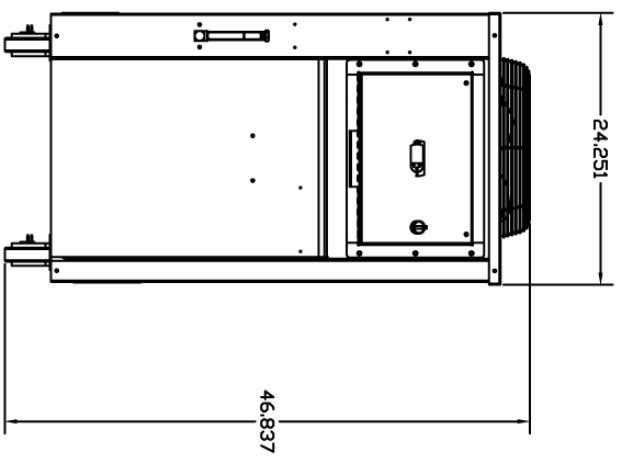
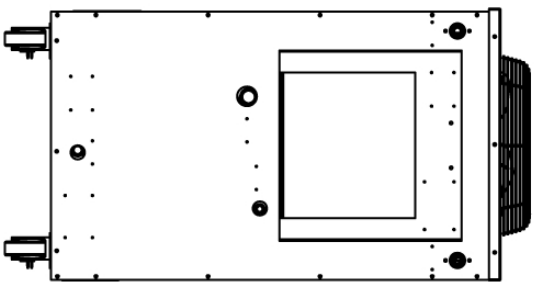
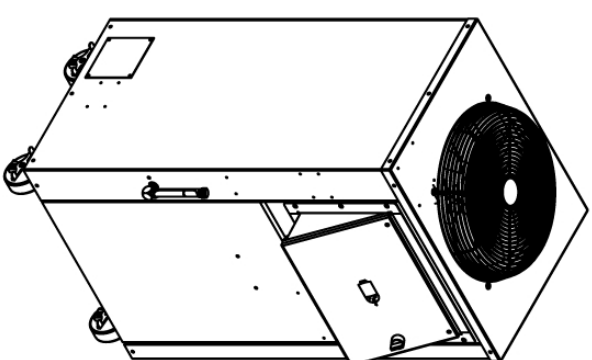
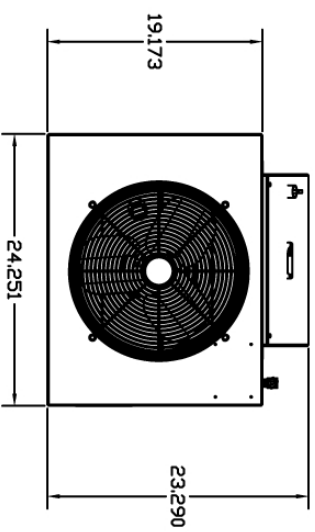
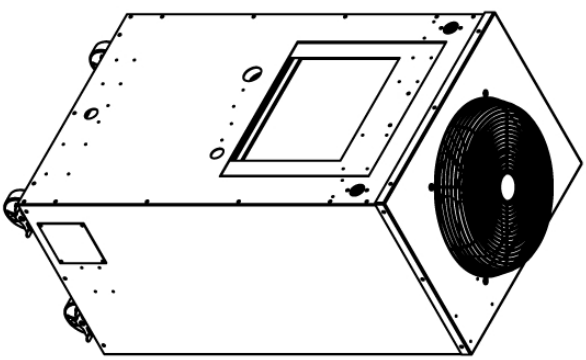
Via dell'Industria, 11 - 35020 Brugine - Padova (Italy)

Tel. (+39) 049.9716611 Fax (+39) 049.9716600

<http://www.carel.com> - e-mail: carel@carel.com

Agenzia:

Cod. +030220160 rel. 2.1 - 27/05/05



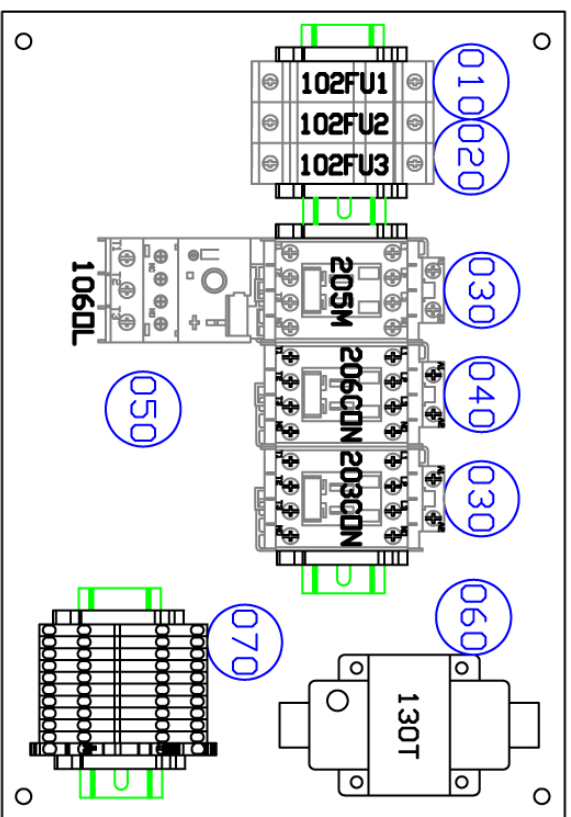
ALL DIMENSIONS ARE IN INCHES

THIS PRINT MAY NOT BE
 DUPLICATED, REPRODUCED, OR SHARED IN ANY WAY
 WITHOUT THE EXPRESSED WRITTEN CONSENT

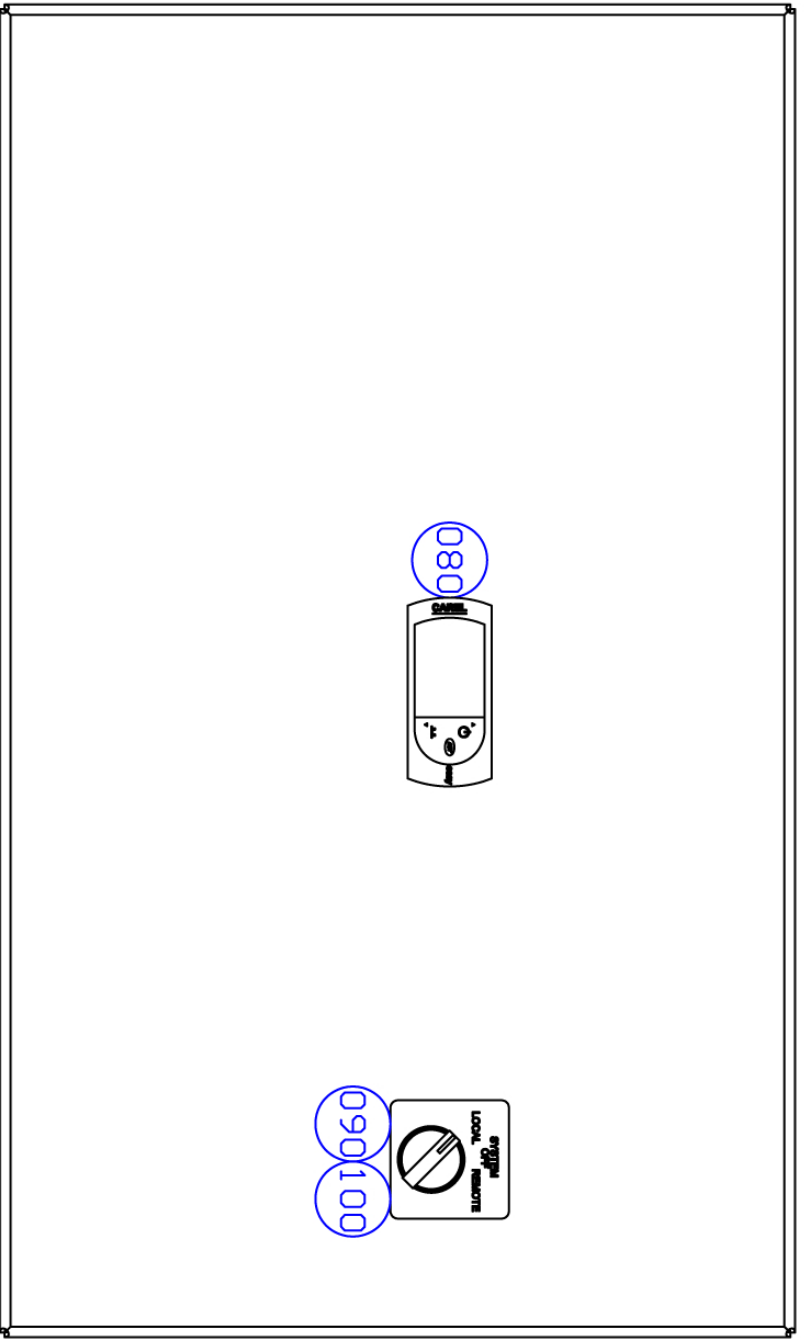
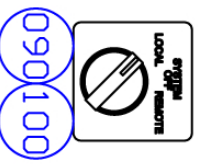
CONFIDENTIAL AND PROPRIETARY

DATE	DESCRIPTION OF REVISION	APPROVED BY

DESIGN BY: TRA	DRAWN BY: TRA	<h1>LAYOUT</h1> <p>MCT75 AC</p>	DRAWING NO. 441498
DATE: 7/17/09	PAGE 1 OF 1		



DOOR



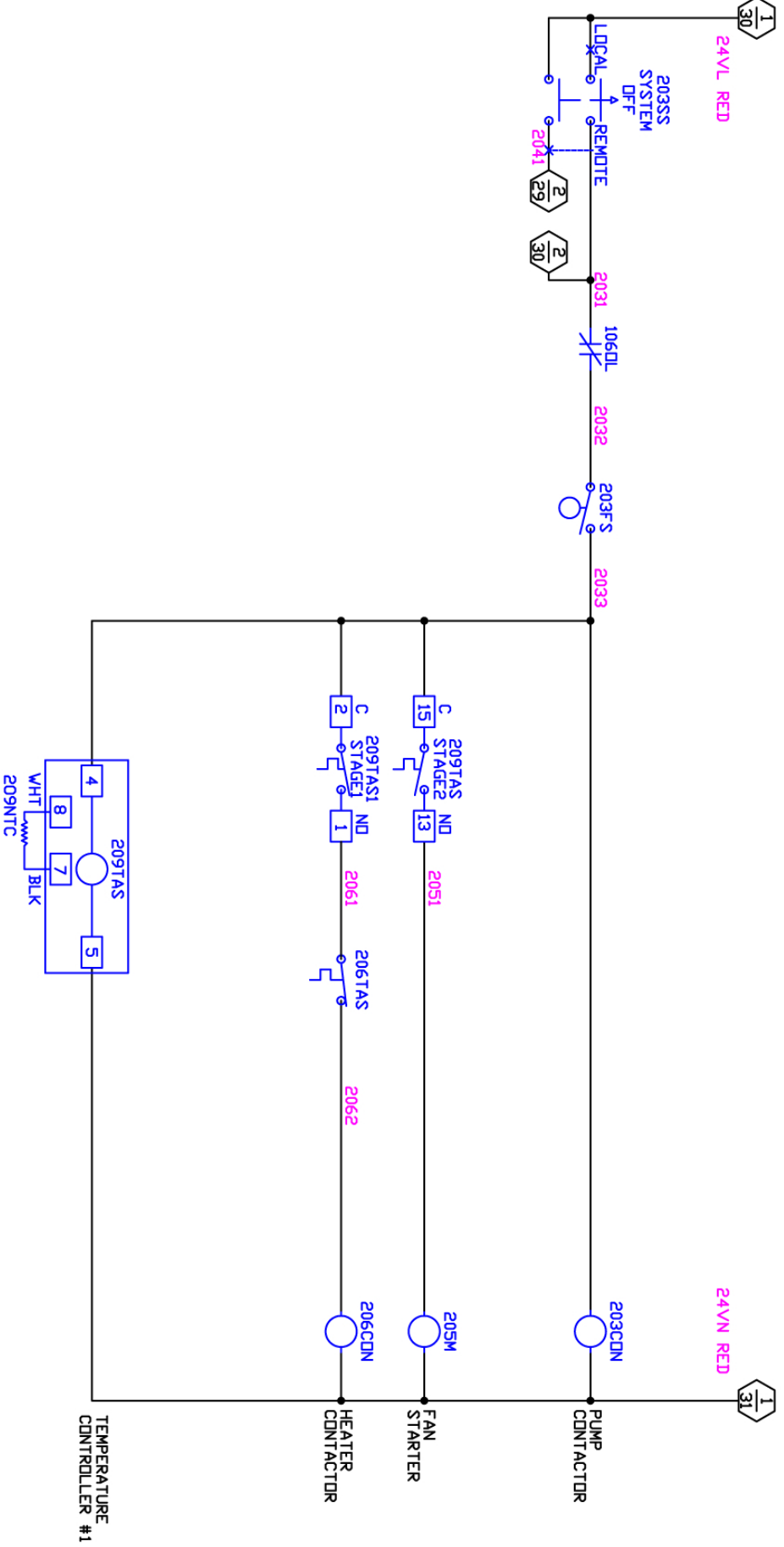
NO.	1/D-DESCRIPTION	K. K. PART#	QTY	TYPE
001	MOLD CONTROL ELE PG3	0441822	2.0	PC
010	CHMTD FUSED TERMINAL BLOCK BUSSMAN	3510900	3.0	PC
020	ATD830 DR FINGER30 FUSE	3500968	2.0	PC
030	GOLD DR BUSSMANN			
	100-CO9K110 CONTACTOR 24 VAC COIL	3100400	2.0	PC
	COIL RATED FOR BOTH 50 AND 60 HZ			
040	ALLEN BRADLEY			
	100-DE3K10 CONTACTOR 24 VAC COIL	3100403	1.0	PC
	COIL RATED FOR BOTH 50 AND 60 HZ			
050	ALLEN BRADLEY			
	193-ED1C8 RELAY 1-5 AMP	3103504	1.0	PC
	1EC FITS CONTACTOR M05-C23			
060	ALLEN BRADLEY			
	Y66113-0 TRANSFORMER 75VA	3660004	1.0	PC
	24VAC SECONDARY SIDE FOOT MOUNTING			
	120/208/240 PRIMARY 8' LEADS CLASS			
	2 INTERNAL CIRCUIT BREAKER JOHNSON			
070	N CONTROLS			
	1492-L30 TERMINAL BLOCK (20 AMP)	3123021	10.0	PC
080	ALLEN BRADLEY			
	IR32M0000 CONTROLLER CABREL	4807759	1.0	PC
090	800P-SM32 SWITCH 3 POS	3121053	1.0	PC
100	ALLEN BRADLEY			
	800P-PY20 CONTACT 2ND	3121087	1.0	PC
	COMPLETE LATCH ALLEN BRADLEY			
110	ALLEN BRADLEY			
	1492-EBL30 END BARRIER (20 AMP)	3123086	1.0	PC
120	ALLEN BRADLEY			
	1492-ERL35 END ANCHOR(20/50 AMP)	3123087	5.0	PC
130	ALLEN BRADLEY			
	1492-LG30 GROUNDING BLOCK (20 AMP)	3123017	1.0	PC
140	ALLEN BRADLEY			
	1492-EBL61 END BARRIER (50 AMP)	3123085	2.0	PC
150	ALLEN BRADLEY			
	1492-LG61 GROUND BLOCK (50 AMP)	3123178	2.0	PC
	1 CIRCUIT, 2 CONNECTIONS, GREEN/YE			
	L/DV			
160	GROUND STRAP 12 GA GREEN/YELLOW	3807350	2.0	PC
	6-692' LONG WITH 1/4" NON INSULATE			
	D RING TERMINALS (B12-14RD) DOUBLE			
	E STRIKE WIRE SD GREEN/YELLOW RAIL			
	D 1/8 50/50 USE SAB CABLE HOVY-K			
170	800P-SM32 SWITCH 3 POS	3121053	1.0	PC
	ALLEN BRADLEY			
180	199-DK1 MOUNTING RAIL	3127100	0.3	PC
	199-BOX 1 METER LONG ALLEN BRADLEY			

* PARTS NOT SHOWN ON DRAWING DETAIL

ALL DIMENSIONS ARE IN INCHES
 THIS PRINT MAY NOT BE
 DUPLICATED, REPRODUCED, OR SHARED IN ANY WAY
 WITHOUT THE EXPRESSED WRITTEN CONSENT
 CONFIDENTIAL AND PROPRIETARY

DATE	DESCRIPTION OF REVISION	APPROVED BY

DESIGN BY: JH	DRAWN BY: JH
DATE: 06-04-09	PAGE 3 OF 3
MOLD CONTROL	
ELECTRICAL	
DRAWING NO. 441822	



24VVL RED

21

203C-DN

22

205M

23

206C-DN

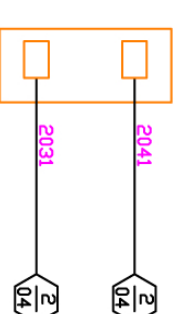
24

209TAS

25

TEMPERATURE
CONTROLLER #1

INTERLOCKS



REMOTE START
< RED WIRED

ALL DIMENSIONS ARE IN INCHES

THIS PRINT MAY NOT BE
DUPLICATED, REPRODUCED OR SHARED IN ANY WAY
WITHOUT THE EXPRESSED WRITTEN CONSENT

CONFIDENTIAL AND PROPRIETARY

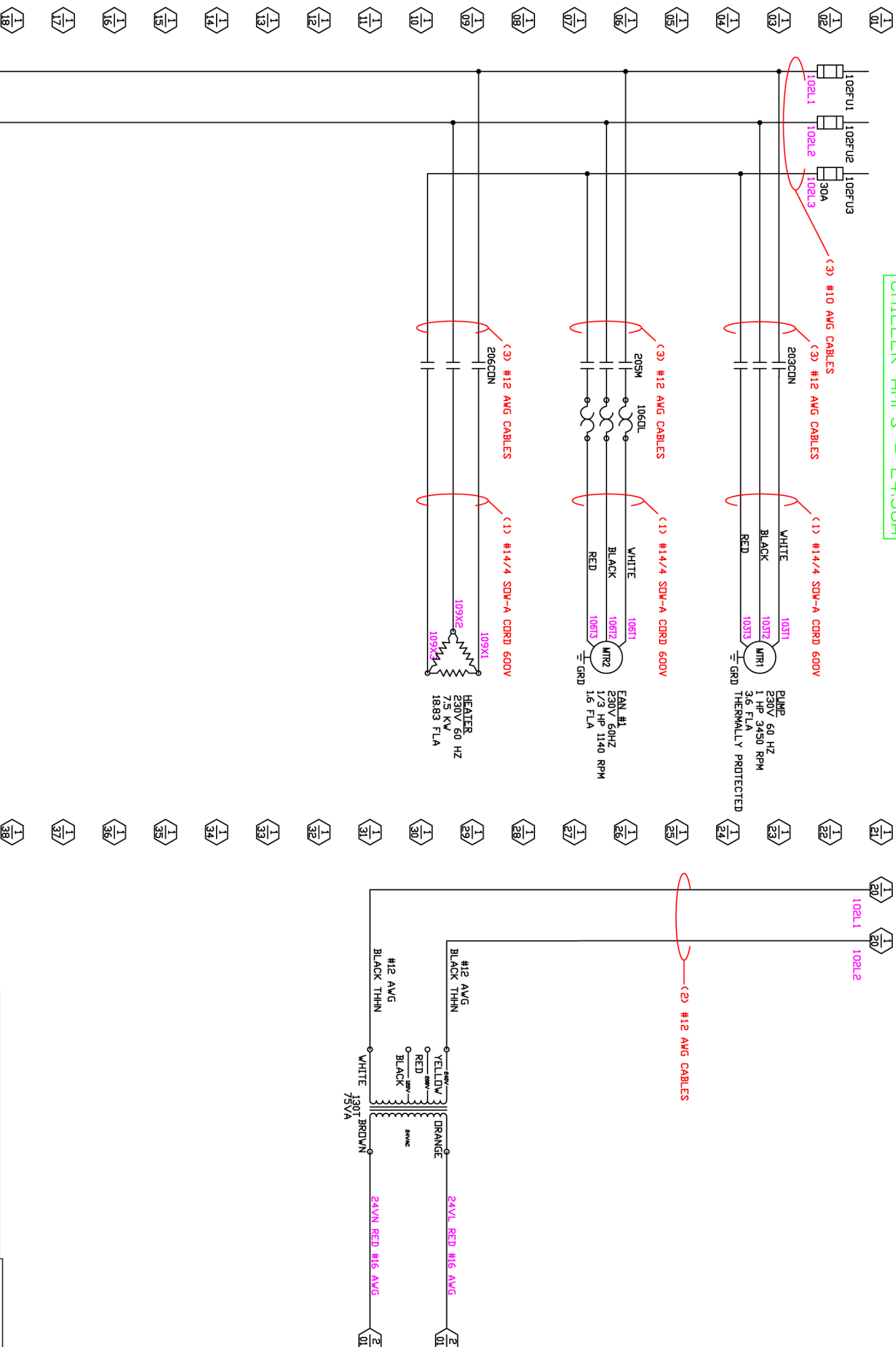
DATE	DESCRIPTION OF REVISION	APPROVED BY	DESIGN BY: JH	DRAWN BY: JH

DATE: 06-04-09 PAGE 2 OF 3

MOLD CONTROL

ELECTRICAL DRAWING NO. 441821

CHILLER AMPS = 24.36A



- 1/01
- 1/02
- 1/03
- 1/04
- 1/05
- 1/06
- 1/07
- 1/08
- 1/09
- 1/10
- 1/11
- 1/12
- 1/13
- 1/14
- 1/15
- 1/16
- 1/17
- 1/18
- 1/19
- 1/20

- 1/21
- 1/22
- 1/23
- 1/24
- 1/25
- 1/26
- 1/27
- 1/28
- 1/29
- 1/30
- 1/31
- 1/32
- 1/33
- 1/34
- 1/35
- 1/36
- 1/37
- 1/38

ALL DIMENSIONS ARE IN INCHES
 THIS PRINT MAY NOT BE
 DUPLICATED, REPRODUCED OR SHARED IN ANY WAY
 WITHOUT THE EXPRESSED WRITTEN CONSENT
 CONFIDENTIAL AND PROPRIETARY

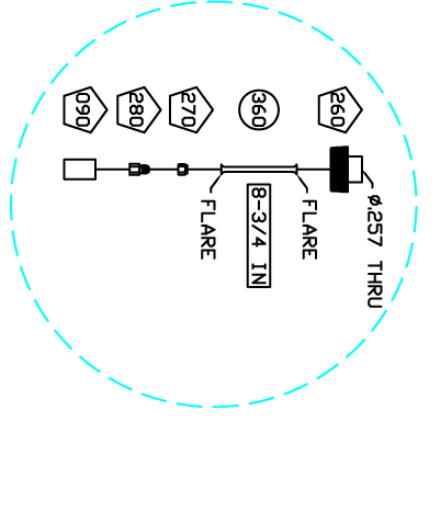
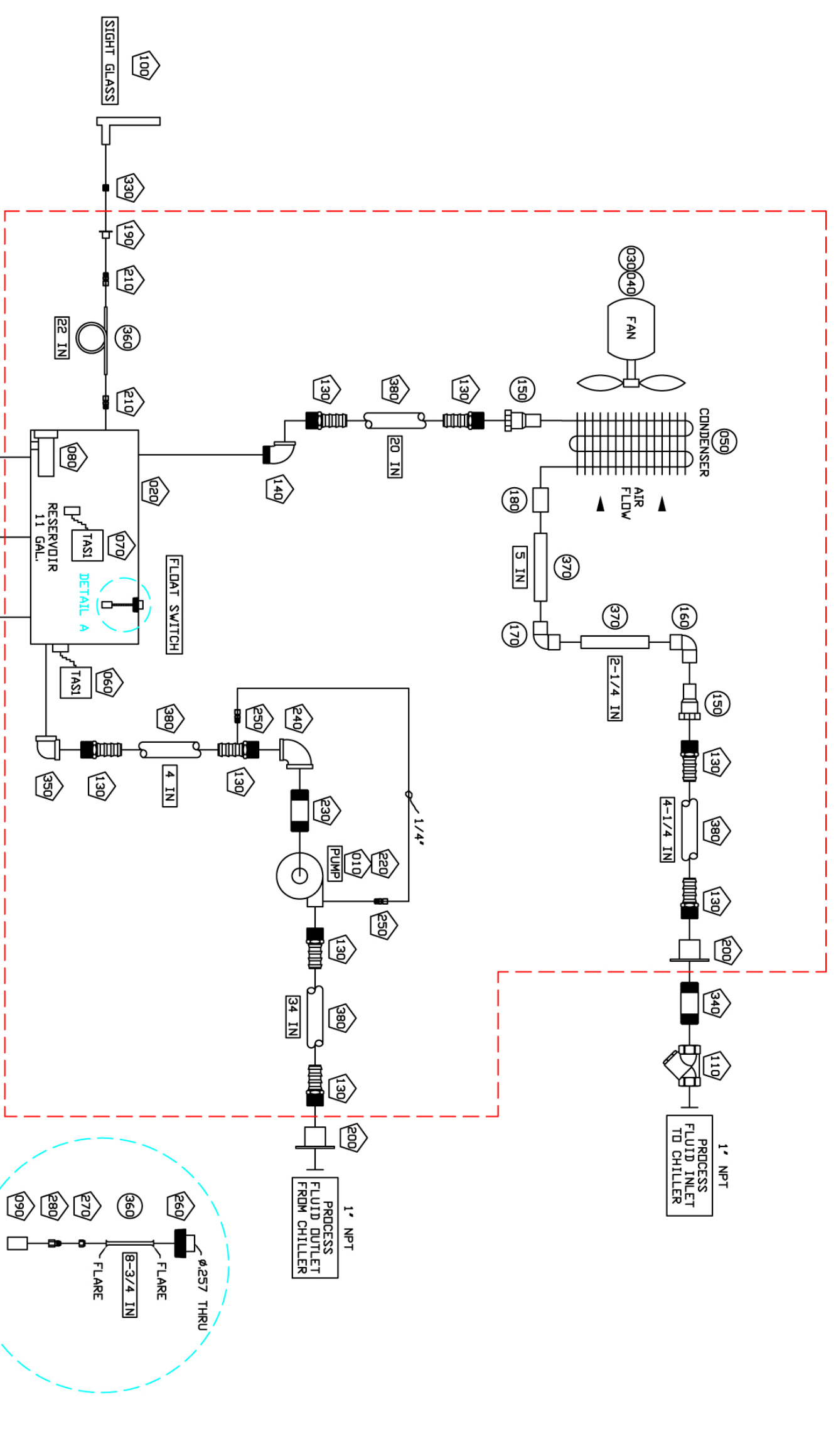
DATE	DESCRIPTION OF REVISION	APPROVED BY

DESIGN BY: JH	DRAWN BY: JH	KALAMAZOO, MI.
DATE: 06-04-09	PAGE 1 OF 3	PH: (800) 968-5665
MOLD CONTROL		
ELECTRICAL		
DRAWING NO. 441820		

PIPING PARTS

NOTE:

ALL INTERCONNECTING PLUMBING TO BE RUN IN NON-FERROUS MATERIAL. OTHERWISE CONTACT ENGINEERING. BOM COMPONENTS EXCLUDED.



DETAIL A * PARTS NOT SHOWN ON DRAWING DETAIL

ALL DIMENSIONS ARE IN INCHES
 THIS PRINT MAY NOT BE
 DUPLICATED, REPRODUCED, OR
 SHARED IN ANY WAY
 WITHOUT THE EXPRESSED WRITTEN
 CONSENT
 CONFIDENTIAL AND PROPRIETARY

NO.	DESCRIPTION	QTY	TYPE
001	MC75AC 230/3/60 MCHNL	0441915	ASSEM
010	KP121-SUSJ C143158B23S PUMP SS	1702002	PC
020	3/60/230-460V	1	PC
030	MC75 MOLD CONTROL TANK AIR COOLED	0360451	1.0 PC
040	TANK FRONT TOP AND BACK	0360451-1	1.0 ASSEM
050	SHEET 18 GA 201 SS 48 X 120 2B	9521831	12.0 PC
060	TANK LEFT BOTTOM AND RIGHT SIDES	0360451-2	1.0 ASSEM
070	SHEET 18 GA 201 SS 48 X 120 2B	9521831	7.0 PC
080	SHEET 18 GA 201 SS 48 X 120 2B	9521831	7.0 PC
090	COUPLING 1/2 FPT HALF SS	7203820	3.0 PC
100	COUPLING 1/2 FPT HALF SS	7203820	3.0 PC
110	ELBOW 90 1/2 FPT X 1/2 FPT SS	7208200	2.0 PC
120	ELBOW 90 1/2 FPT X 1/2 FPT SS	7208300	1.0 PC
130	FAN BLADE 14 INCH 28 DEG CE146J	4500048	1.0 PC
140	610551-01 LAU	1413211	1.0 PC
150	(R200) SHV-3130 MOLD CONTROL	0611318	1.0 ASSEM
160	1/2 SENSOR ASSEMBLY FOR CAREL	4801215	1.0 PC
170	MP0617671 10K THERMISTOR 10' CAREL		
180	PLATINUM 2 WIRE CONSTRUCTION WITH		
190	DRAIN WIRE ATTACHED TO SHEATH. 3/16		
200	DIA SHEATH. 3/16 SST 5-1/2 OVERALL		
210	LENGTH. 4-1/2 HOT LEG WITH 90° BEND		
220	PVC LEAD-WIRE (300 VAC RATED) WITH		
230	SHIELD AND DRAIN. 10 FT LONG GREY		
240	WIRE COVER. NO COIL. END TERMINATION		
250	GENERALLY USED ON 15 TON UNITS AND		
260	BELOW. WITH 4 POINT GRIMP CLASS A		
270	SENSOR L.C.		
280	SENSOR L.C.		
290	COMPRESSION FITTING 1/2 NPT X 3/16	7504920	1.0 PC
300	TUBE BRASS		
310	THERMISTAT 3/4 DISC 250/210 (CE224)	3899106	1.0 PC
320	155 056 135 312 7 SKV HEATER (CE212)	3835105	1.0 PC
330	CHROMALOX 7.5V HEATER 240V & GASX		
340	ET FOR MC75-240/3		
350	01735 SS FLOAT SWITCH (CE220-2)	3838026	1.0 PC
360	GEMS SENSORS / MADISON FLOAT SWITCH		
370	CH - SS 1/8 NPT FOR MC75 195060 N/		
380	N 4MKS/M5040 SS		
390	#5 FIG 522 FULL AMBLY (P149-M5GA)	7400017	1.0 PC
400	18W980B 1" 20 MESH YSTRAINER (P172)	2900205	1.0 PC
410	TURKEYE		
420	VALVE BALL BRDNZE 1/2	4113051	1.0 PC
430	WAITS		
440	HOSEBARB 1 NPT X 1 HOSE BRB	7508993	8.0 PC
450	ELBOW 90 1 NPT X 1 FPT BRB	7508302	1.0 PC
460	N-1263 ADAPTER 1-1/8 C X 1 FPT	7309110	1.0 PC
470	N-2344 ELBOW 90 1-1/8 FTG X C SR	7309320	1.0 PC
480	N-2047 ELBOW 90 1-1/8 C X C	7309280	1.0 PC
490	N-10147 COUPLING 1-1/8 C X C	7309190	1.0 PC
500	STAKED-STOP		
510	PIPE WASHER 1/2	0441917	1.0 ASSEM
520	SHEET 12 GA HR PICKLED/DIL 48 X 120	9501200	1.0 PC
530	175.0 LBS/SHEET		
540	COUPLING 1/2 FPT X 1/2 FPT FULL SS	7204201	1.0 PC
550	1 IN COUPLE W/ WASHER FLUSH MOUNT	0441611	2.0 ASSEM
560	1 IN PIPE WASHER	0360465	1.0 PC
570	SHEET 14 GA CR 201 SS 48 X 120	9521260	1.0 PC
580	COUPLING 1 FPT X 1 FPT 304 SS	7208201	2.0 PC
590	COMPRESSION FITTING 1/2 NPT X 1/4	7504925	2.0 PC
600	TUBE BRASS		
610	PLUG SO HD 1/8 NPT BRASS	7501992	1.0 PC
620	NIPPLE 1-1/4 NPT X 2-1/2 BRB	7510002	1.0 PC
630	ELBOW 90 1-1/4 FPT X 1 FPT BRB	7510295	1.0 PC
640	COMPRESSION FITTING 1/4 MPT X 1/4	7504927	2.0 PC
650	TUBE BRASS		
660	PLUG 1 NPT BRB	7508900	2.0 PC
670	A-S051 NUT SHORT FORGED 1/4 FL	7610200	1.0 PC
680	MUELLER		
690	A-4622 CONNECTOR 1/4 FL X 1/8 FPT	7610404	1.0 PC
700	MUELLER		
710	NIPPLE 1 MPT X CLOSE BRB	7508000	1.0 PC
720	ELBOW 90 1 FPT X 1 FPT BRB	7508301	1.0 PC
730	ELBOW 90 1/2 FPT X 1/2 FPT BRB	7504301	1.0 PC
740	NIPPLE 1/2 MPT X 3 BRB	7504030	1.0 PC
750	NIPPLE 1/2 MPT X CLOSE BRB	7504000	2.0 PC
760	NIPPLE 1 MPT X 3 BRB	7508003	1.0 PC
770	ELBOW 90 1 FPT X 1 FPT 316L SS	7208321	1.0 PC
780	TUBING 1-1/8 SOFT COPPER REFRIG.	7302000	3.0 PC
790	TUBING 1-1/8 HARD COPPER ACR	7309010	1.0 PC
800	HOSE 1 RED VINCFLOUT 300 PSI	4410002	7.0 PC
810	569-008-254		